



TINPLATE THAT DO MORE

WWW.MTHTRAINS.COM

No. 165 Magnetic Crane

For current price and availability
go to www.mthtrains.com
select **SERVICE** then **PARTS**.



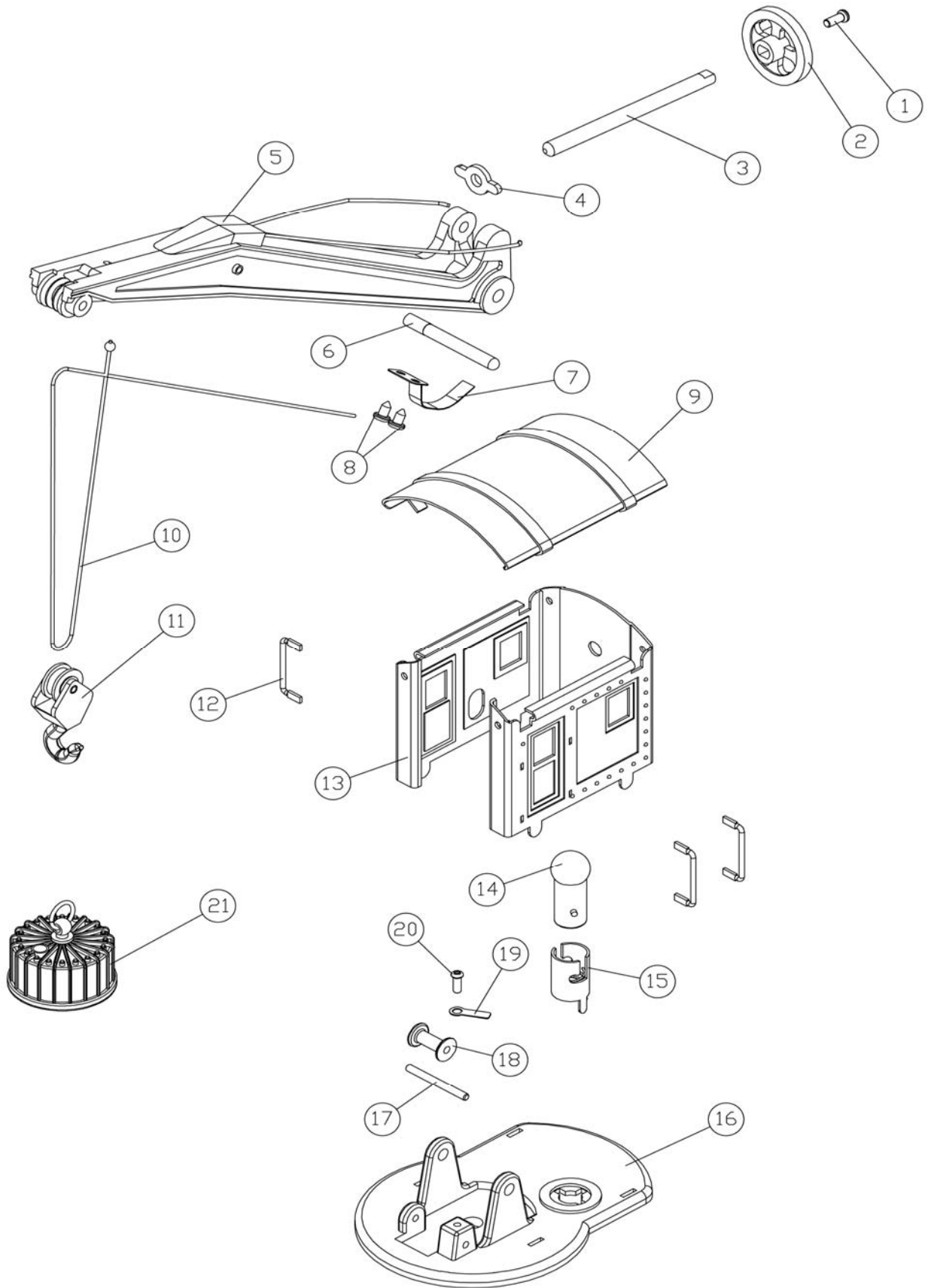
TINPLATE THAT DO MORE

No 165 Magnetic Crane

Cab parts

NO	Part Name	MTH Part#
1	SCREW M2. 6X6	
2	HANDWHEEL	TP-16500001
3	ELEVATING SCREW	TP-16500002
4	NUT	TP-16500003
5	BOOM	HH-5200209
6	SHAFT-5	TP-16500004
7	METAL SLICE-1	TP-16500005
8	SCREW M2. 8X4. 7	
9	CAB TOP	TP-16500006
10	LINE	TP-16500007
11	HOOK ASS' Y	TP-16500008
12	HANDRAIL	TP-16500009
13	CAB	TP-16500010
14	BULB	CI-0000011
15	BULB BRACKET	TP-16500011
16	CAB PLATE	TP-16500012
17	SHAFT-4	TP-16500013
18	ROLLER-2	TP-16500014
19	LUG	TP-16500015
20	SCREW M2. 3X6	
21	MAGNET	HH-5200186

No 165 Magnetic Crane Cab View



No 165 Magnetic Crane

Base parts

NO	Part Name	MTH Part#
1	PLATFORM	TP-16500016
2	SCREW M3X8	
3	SHAFT-1	TP-16500017
4	PINION GEAR	TP-16500018
5	ROLLER-1	TP-16500019
6	SHAFT-2	TP-16500020
7	POLE	TP-16500021
8	SPRING D9.7Xø0.6XL9.7XN5	TP-16500022
9	BEVEL WHEEL	TP-16500023
10	SHAFT TUBE	TP-16500024
11	DRIVING BELT 2	HH-5200244
12	WORM WHEEL B	TP-16500025
13	SCREW M2X8	
14	MOTOR BRACKET	TP-16500026
15	SCREW M3X6	
16	MOTOR	FC280SA18165
17	MOTOR BRACKET B	TP-16500027
18	PCB-1	TP-16500028
19	WASHER FOR PCB-1 A	
20	SCREW M2.3X6	
21	WASHER FOR PCB-1 B	
22	WASHER	TP-16500029
23	SPRING PLATE	TP-16500030
24	DRIVING BELT 1	HH-5200245
25	WORM WHEEL	TP-16500031
26	SCREW M2.6X6	
27	WORM SHAFT COVER	TP-16500032
28	WORMGEAR-1	TP-16500033
29	WORMGEAR-2	TP-16500034
30	STAND	TP-16500035
31	LADDER	TP-16500036
32	BASE	TP-16500037
33	CONTROLLER	HH-5200208
34	CABLE	BC-5200012

No 165 Magnetic Crane Base View

