



TRADITIONAL NO. 381E LOCOMOTIVE

PARTS LIST & EXPLODED VIEW

REV. 07.2015

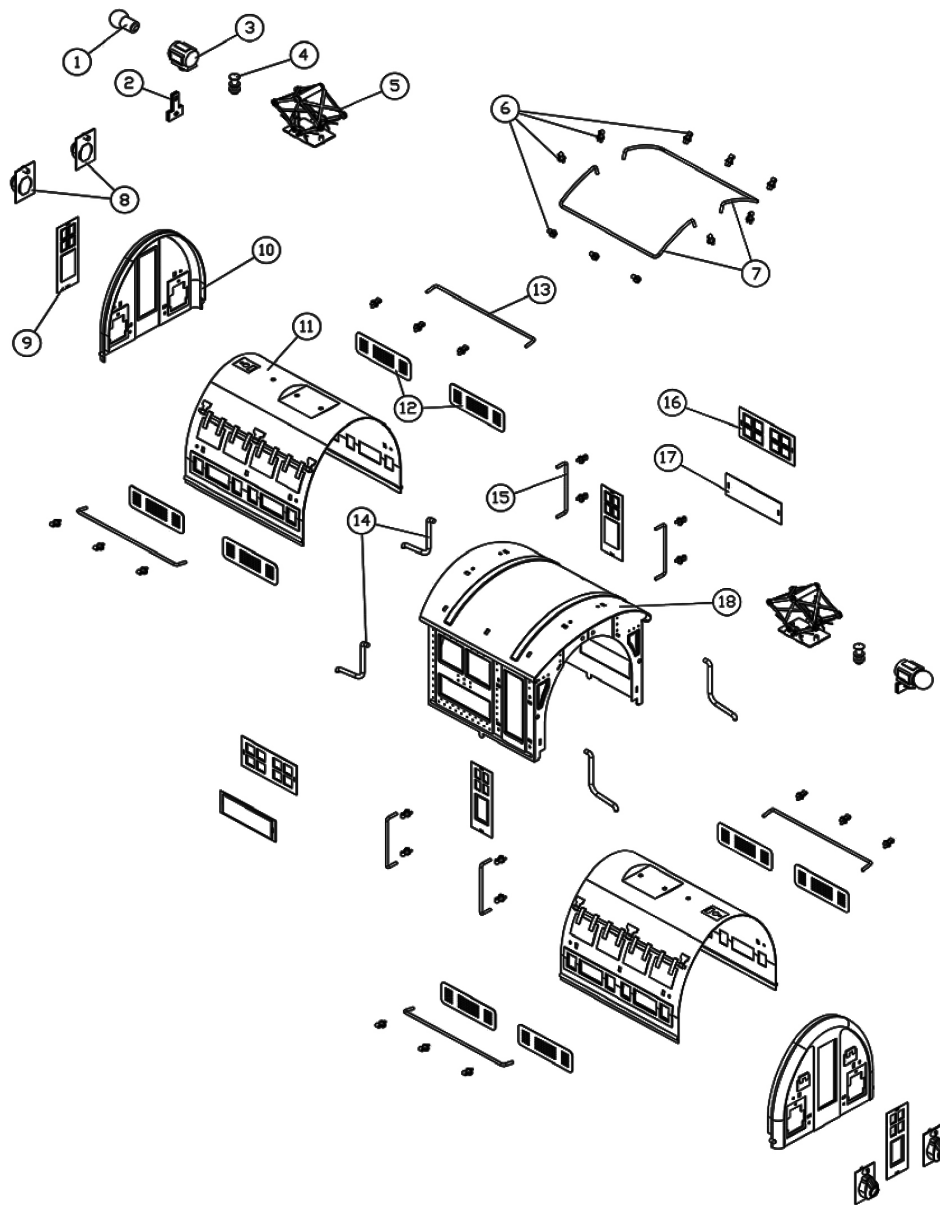
PARTS LIST: NO 381E LOCOMOTIVE BODY



1.) BULB	TP-MS00016
2.) HEAD LIGHT INSERT	TP-MS00038
3.) HEAD LIGHT (BRASS)	TP-SE00015
4.) WHISTLE (BRASS)	TP-SE00038
5.) PANTOGRAPH	TP-SE00029
6.) HANDRAIL STANCHIONS (NICKEL)	TP-MS00039
7.) HAND RAIL (ROOF)	TP-38100001
8.) MARKER LIGHT BODY	TP-38100002
9.) DOOR	TP-38100003
10.) BODY ENDS	TP-38100004
11.) F&R BODY COVERS	TP-38100005
12.) VENT	TP-SE00037
13.) HAND RAIL (BODY COVERS)	TP-38100006
14.) PIPE (CENTER BODY)	TP-SE00046
15.) HAND RAIL(SIDE DOOR)	TP-ST00041
16.) WINDOW	TP-38100007
17.) PLATE	TP-38100008
18.) CENTER CAB TINPLATE	TP-38100009

EXPLODED VIEW: NO 381E LOCOMOTIVE BODY

No 381E Locomotive
Body View



PARTS LIST: NO 381E LOCOMOTIVE CHASSIS

1.) WEIGHT	TP-38100010
2.) FLOOR	TP-38100011
3.) SCREWS	TP-MS00060
4.) STEP	TP-SE00044
5.) JOURNAL(BRASS EAGLE)	TP-SE00018
6.) CENTER TRUCK FRAME	TP-38100012
7.) BUILD-A-LOCO MOTOR CLIP	TP-MS00013
8.) BUILD-A-LOCO MOTOR RIVET SHORT	TP-MS00014
9.) MOTOR COMPLETE RED WHEELS	TP-SE00025
10.) FLAG	TP-SL00061
11.) FLAG STANCHION (BRASS)	TP-SL00062
12.) HANDRAIL STANCHIONS(BRASS)	TP-MS00071
13.) HAND RAIL(F/R COVER)L	TP-38100013
14.) HAND RAIL(F/R COVER)R	TP-38100014
15.) END STEP	TP-SE00047
16.) F&R PILOT FRAME	TP-38100015
17.) COUPLER LONG SHANK W/SPRING	TP-MS00020
18.) L/T J/BOX SPRING	TP-SL00110
19.) L/T J/BOX	TP-SL00109
20.) L/T TRUCK FRAME	TP-38100016
21.) LEADING & TRAILING TRUCK SCREW	TP-38100017
22.) L/T TRUCK WASHER	TP-38100018
23.) SCREW	TP-MS00064
24.) L/T UNDER COVER	TP-38100019
25.) LEADING TRUCK AXLE	TP-SL00012
26.) L/TRAILING WHEEL	TP-SL00114
27.) F/R TRUCK TINPLATE	TP-38100020

EXPLODED VIEW: NO 381E LOCOMOTIVE CHASSIS

No 381E Locomotive
Chassis View

