

TRADITIONAL NO.408E LOCOMOTIVE

PARTS LIST & EXPLODED VIEW

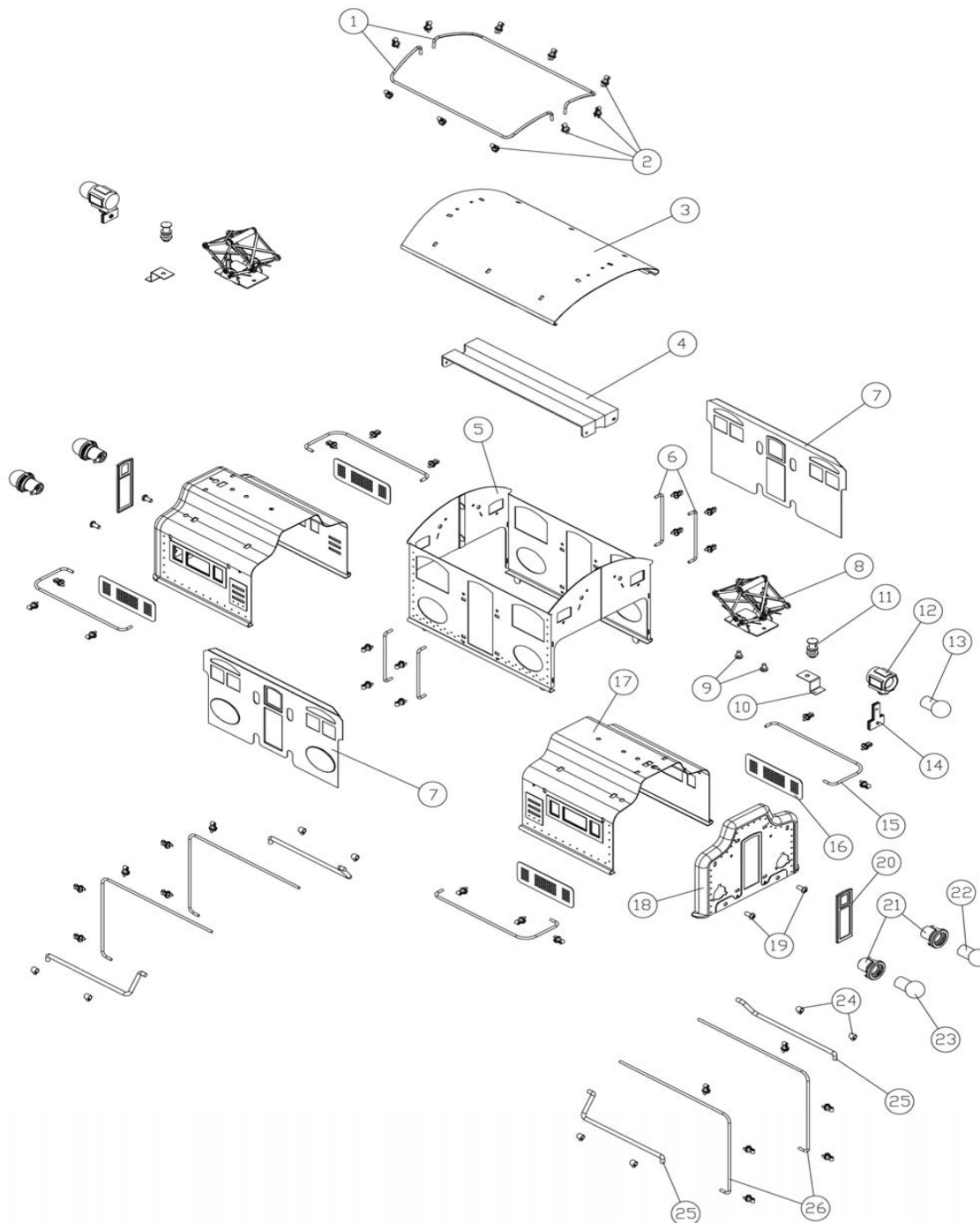
REV. 12.2016

PARTS LIST: TRADITIONAL NO.408E LOCOMOTIVE BODY

1.)	HAND RAIL(ROOF)	TP-40800001
2.)	HANDRAIL STANCHIONS (NICKEL)	TP-MS00039
3.)	ROOF	TP-40800002
4.)	STANCHION	TP-40800003
5.)	CENTER BODY-A	TP-40800004
6.)	HAND RAIL(DOOR)	TP-ST00041
7.)	INSIDE DOOR	TP-40800005
8.)	PANTOGRAPH	TP-SE00029
9.)	SCREW	TP-MS00055
10.)	RIGGER	TP-40800006
11.)	WHISTLE (BRASS)	TP-SE00038
12.)	HEAD LIGHT (BRASS)	TP-SE00015
13.)	BULB 18V	TP-MS00016
14.)	HEAD LIGHT INSERT	TP-MS00038
15.)	HAND RAIL(BODY SIDE)	TP-40800007
16.)	VENT	TP-SE00037
17.)	F&R BODY	TP-40800008
18.)	END PANEL	TP-40800009
19.)	SCREW	TP-MS00055
20.)	END DOOR	TP-40800010
21.)	SOCKET LIGHT	TP-40800011
22.)	BULB(RED) 18V	TP-MS00156
23.)	BULB(GREEN) 18V	TP-MS00157
24.)	STEAM PIPE F/BAND	TP-MS00066
25.)	HAND RAIL-COPPER	TP-40800012
26.)	HAND RAIL(F&R)	TP-40800013

EXPLODED VIEW: TRADITIONAL NO.408E LOCOMOTIVE BODY

408E Locomotive
Body View



PARTS LIST: TRADITIONAL NO.408E LOCOMOTIVE CHASSIS

1.)	WEIGHT-1	TP-40800014
2.)	SCREW	TP-MS00061
3.)	NUT	TP-MS00074
4.)	WEIGHT-2	TP-40800015
5.)	SCREW	TP-MS00058
6.)	JOURNAL SPRING	TP-SE00021
7.)	SIDE STEP	TP-SE00034
8.)	MAIN FLOOR	TP-40800016
9.)	WEIGHT-3	TP-40800017
10.)	FLAG	TP-SL00061
11.)	FLAG STANCHION (BRASS)	TP-SL00062
12.)	SCREW	TP-MS00061
13.)	PILOT	TP-SE00012
14.)	COUPLER LONG SHANK W/SPRING	TP-MS00020
15.)	COMMUTATOR	TP-40800018
16.)	MOTOR COMPLETE RED WHEELS	TP-SE00025

EXPLODED VIEW: TRADITIONAL NO.408E LOCOMOTIVE CHASSIS

408E Locomotive
Chassis View

