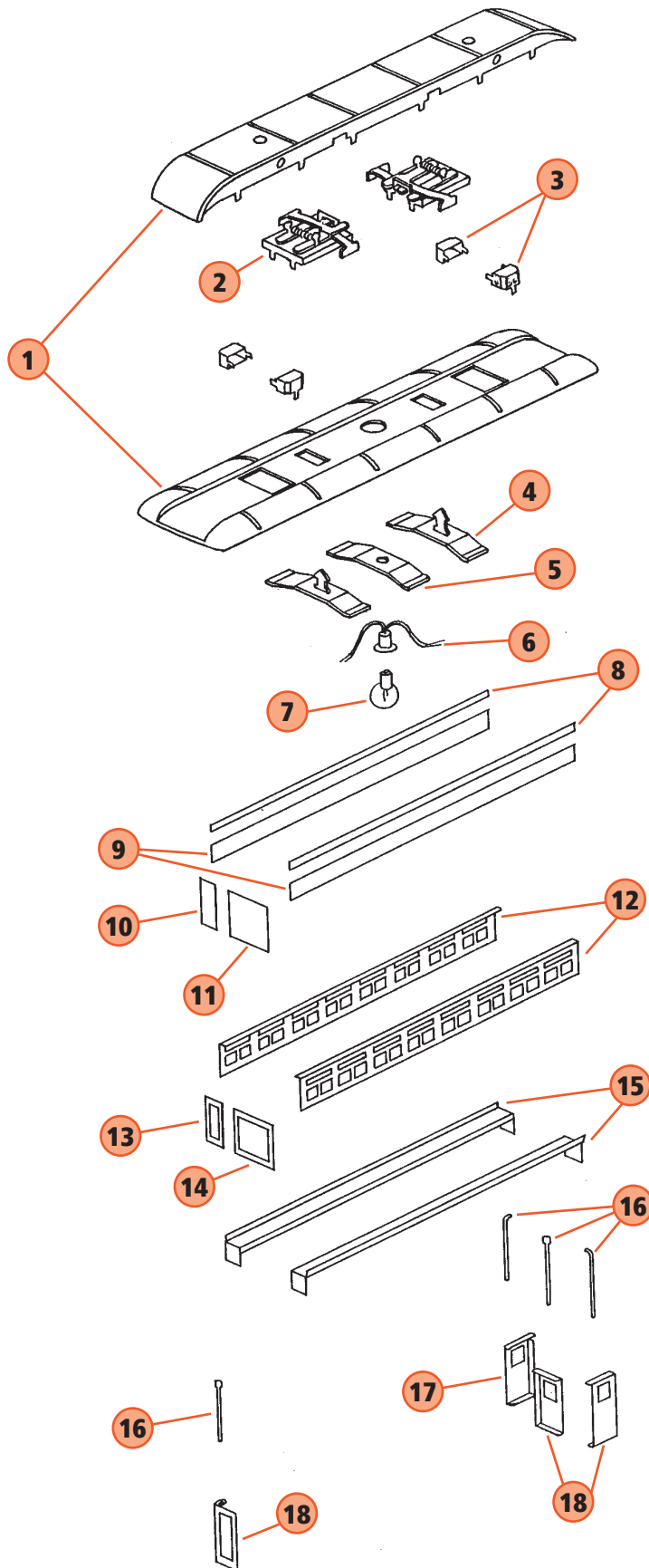


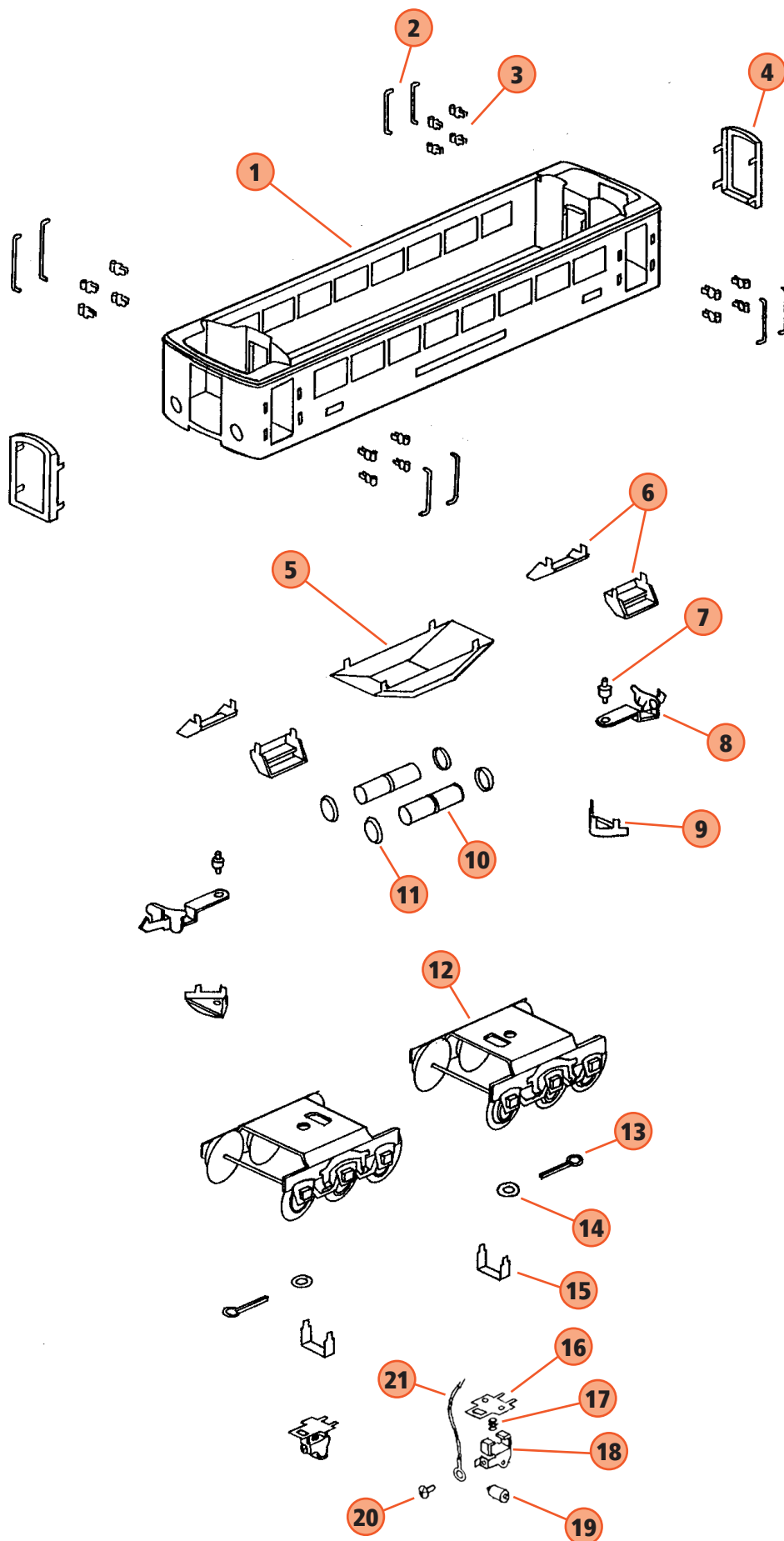
# STEPHEN GIRARD OBSERVATION CAR: ROOF AND INTERIOR VIEW

1. **TP-SP00063**  
ROOF UPPER & LOWER
2. **TP-SP00065**  
ROOF LATCH
3. **TP-SP00064**  
ROOF CUPOLA
4. **TP-SP00028**  
CROSS BRACE BODY W/SPIKE
5. **TP-SP00029**  
CROSS BRACE BODY W/LIGHT SOCKET HOLE
6. **TP-MS00045**  
LAMP SOCKET
7. **TP-MS00016**  
BULB
8. **TP-SP00083**  
WINDOW MATERIAL  
LONG BLUE PLASTIC
9. **UNDEFINED**
10. **UNDEFINED**
11. **UNDEFINED**
12. **TP-SP00078**  
WINDOW INSERT
13. **UNDEFINED**
14. **UNDEFINED**
15. **TP-SP00023**  
BENCH
16. **UNDEFINED**
17. **TP-SP00031**  
DOOR LT
18. **TP-SP00030**  
DOOR RT



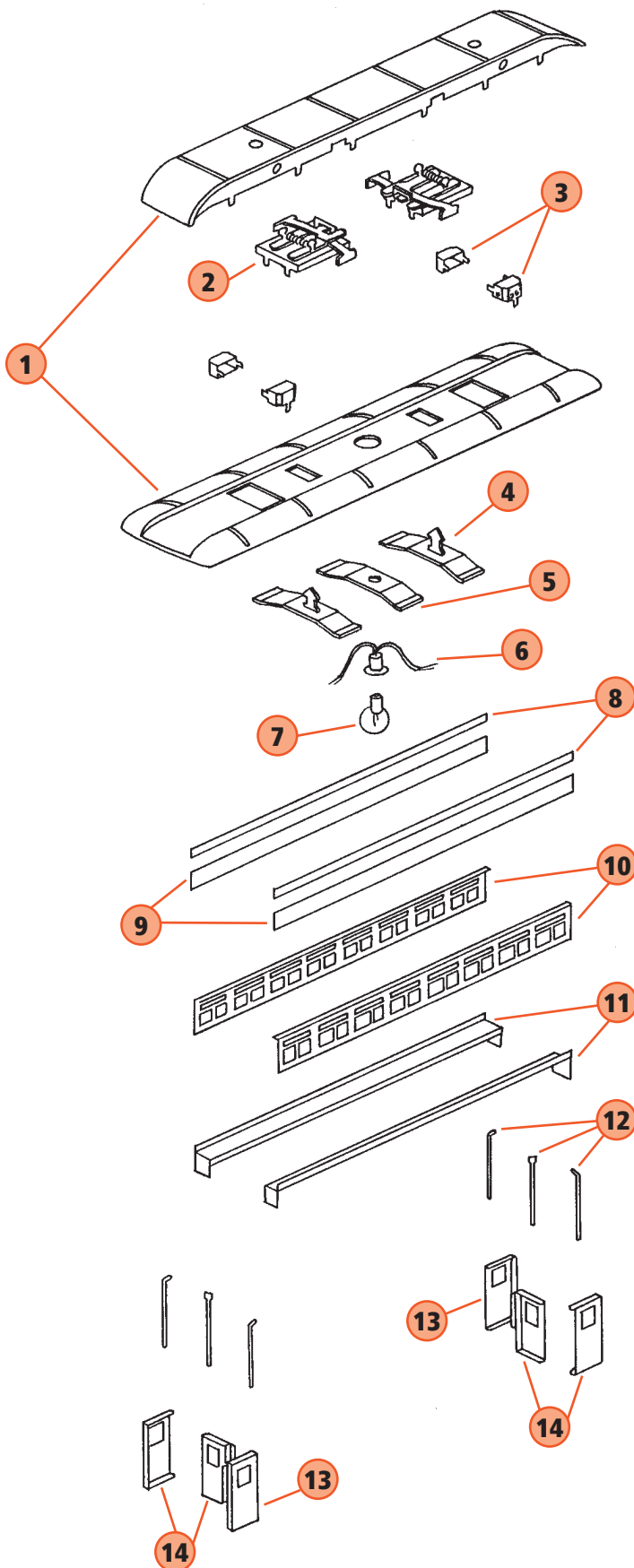
# STEPHEN GIRARD PULLMAN CAR

1. **UNDEFINED**
2. **TP-SP00038**  
HANDRAIL (BRASS)
3. **TP-SP00039**  
HANDRAIL (NICKEL)
4. **TP-MS00071**  
HANDRAIL STANCHIONS (BRASS)
5. **TP-MS00039**  
HANDRAIL STANCHIONS (NICKEL)
6. **TP-SP00077**  
VESTIBULE
7. **TP-SP00036**  
FISHBELLY
8. **TP-SP00069**  
STEP (BRASS)
9. **TP-SP00070**  
STEP (NICKEL)
7. **TP-MS00026**  
COUPLER PIN
8. **TP-MS00020**  
COUPLER LONG SHANK W/SPRING
9. **TP-MS00025**  
COUPLER POCKET
10. **TP-SP00010**  
AIR TANK
11. **TP-SP00011**  
AIR TANK END CAP (NICKEL)
12. **TP-SP00032**  
DOOR RT
13. **TP-SP00033**  
DOOR LT
13. **TP-ST00013**  
COTTER PIN
14. **TP-OT00028**  
WASHER
15. **TP-SP00053**  
PICKUP BRACKET
16. **TP-MS00036**  
FIBER INSULATOR
17. **TP-MS00052**  
PICKUP SPRING
18. **TP-MS00050**  
PICKUP BRACKET
19. **TP-MS00051**  
PICKUP ROLLER
20. **TP-MS00055**  
SCREW 4/40 X 3/16
21. **UNDEFINED**



# STEPHEN GIRARD PULLMAN CAR: ROOF AND INTERIOR VIEW

1. **TP-SP00063**  
ROOF UPPER & LOWER
2. **TP-SP00065**  
ROOF LATCH
3. **TP-SP00064**  
ROOF CUPOLA
4. **TP-SP00028**  
CROSS BRACE BODY W/SPIKE
5. **TP-SP00029**  
CROSS BRACE BODY W/LIGHT SOCKET HOLE
6. **TP-MS00045**  
LAMP SOCKET
7. **TP-MS00016**  
BULB
8. **TP-SP00083**  
WINDOW MATERIAL  
LONG BLUE PLASTIC
9. **Undefined**
10. **TP-SP00078**  
WINDOW INSERT
11. **TP-SP00023**  
BENCH
12. **Undefined**
13. **TP-SP00031**  
DOOR LT
14. **TP-SP00030**  
DOOR RT



# STEPHEN GIRARD OBSERVATION CAR

1. **TP-MS00046**  
MARKET LIGHT (BRASS)
2. **TP-MS00047**  
MARKER LIGHT (NICKEL)
3. **TP-SL00035**  
BOILER FRONT LENS (RED)
4. **TP-MS00016**  
BULB
5. **TP-MS00045**  
LAMP SOCKET
6. **TP-SP00038**  
HANDRAIL (BRASS)
7. **TP-SP00039**  
HANDRAIL (NICKEL)
8. **TP-MS00071**  
HANDRAIL STANCHIONS (BRASS)
9. **TP-MS00039**  
HANDRAIL STANCHIONS (NICKEL) 50 PER BAG
10. **UNDEFINED**
11. **TP-SP00077**  
VESTIBULE
12. **TP-SP00069**  
STEP (BRASS)
13. **TP-SP00070**  
STEP (NICKEL)
14. **TP-SP00036**  
FISHBELLY
15. **UNDEFINED**
16. **TP-SP00045**  
OBS. RAIL (BRASS)
17. **TP-SP00046**  
OBS. RAIL (NICKEL)
18. **TP-SP00011**  
AIR TANK END CAP (NICKEL)
19. **TP-SP00010**  
AIR TANK
20. **TP-MS00026**  
COUPLER PIN
21. **TP-MS00020**  
COUPLER LONG SHANK W/SPRING
22. **TP-MS00025**  
COUPLER POCKET
23. **TP-ST00032**  
TRUCK 6 WHEEL W/PICKUP BRASS
24. **TP-ST00033**  
TRUCK 6 WHEEL W/PICKUP NICKEL
25. **TP-ST00013**  
COTTER PIN
26. **TP-OT00028**  
WASHER
27. **TP-SP00053**  
PICKUP BRACKET
28. **TP-MS00036**  
FIBER INSULATOR
29. **TP-MS00052**  
PICKUP SPRING
30. **TP-MS00050**  
PICKUP BRACKET
31. **TP-MS00051**  
PICKUP ROLLER
32. **TP-MS00055**  
SCREW 4/40 X 3/16

