

LIONEL ELECTRIC TRAINS
MODEL RAILROAD
ACCESSORIES
LIONEL CORPORATION TINPLATE

**"0" GAUGE
NO. 2817
CABOOSE**

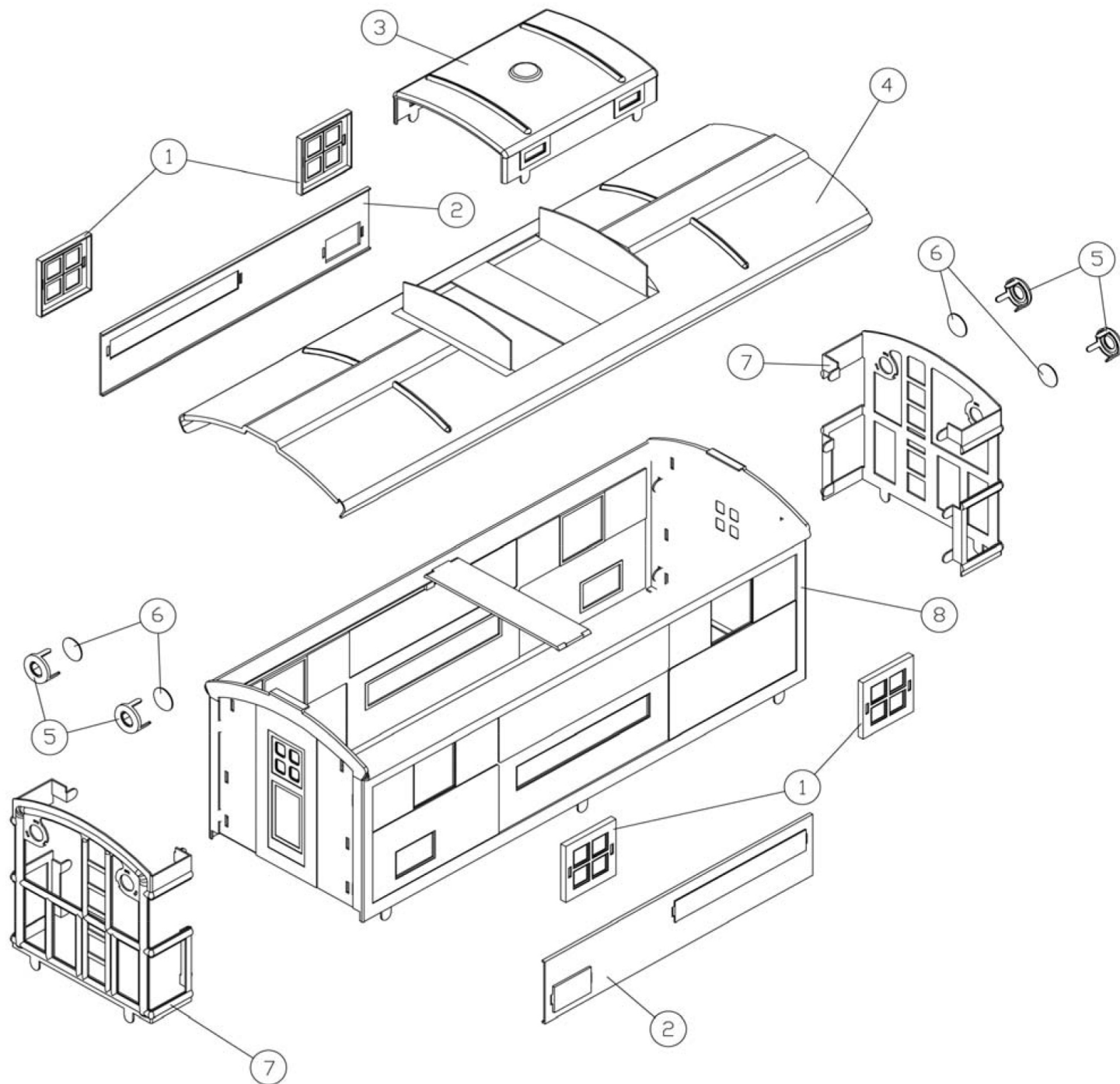
PARTS LIST & EXPLODED VIEW

REV. 12.2016

PARTS LIST: NO. 2817 CABOOSE BODY

| | |
|--------------------------------|------------------------------|
| 1.) WINDOW BRASS | TP-OF00023 |
| 1A.) WINDOW NICKEL | TP-OF00024 |
| 2.) NAME PLATE | TP-281700001 |
| 3.) ROOF CUPOLA | TP-OF00022 |
| 4.) ROOF | TP-OF00021 |
| 5.) MARKER LIGHT COVER BRASS | TP-MS00046 |
| 5A.) MARKER LIGHT COVER NICKEL | TP-MS00047 |
| 6.) MARKER LIGHT LENS | TP-SL00035 |
| 7.) END RAILING BRASS | TP-OF00019 |
| 7A.) END RAILING NICKEL | TP-OF00020 |
| 8.) BODY ASS'Y | TP-281700002 |

EXPLODED VIEW: NO. 2817 CABOOSE BODY



PARTS LIST: NO. 2817 CABOOSE CHASSIS

| | |
|-----------------------------|------------------------------|
| 1.) FLOOR | TP-281700003 |
| 2.) E-RING | TP-OT00013 |
| 3.) BOLSTER | TP-281000030 |
| 4.) WASHER | TP-OT00028 |
| 5.) BOX COUPLER RIVET | TP-OT00012 |
| 6.) BOX COUPLER | TP-OT00011 |
| 7.) COUPLER LEVER | TP-281000032 |
| 8.) TRUCK SIDE FRAME | TP-281000033 |
| 9.) JOURNAL BOX BRASS | TP-MS00041 |
| 9A.) JOURNAL BOX NICKEL | TP-MS00042 |
| 9B.) JOURNAL BOX COPPER | TP-MS00043 |
| 10.) WHEEL | TP-OT00029 |
| 11.) WASHER | TP-ST00039 |
| 12.) AXLE | TP-OT00010 |
| 13.) AUTO BOX COUPLER ASS'Y | TP-281000034 |
| 14.) TRUCK BRACE | TP-OT00026 |
| 15.) TRUCK ASS'Y | TP-281000035 |

EXPLODED VIEW: NO. 2817 CABOOSE CHASSIS

LIONEL ELECTRIC TRAINS
MODEL RAILROAD ACCESSORIES
LIONEL CORPORATION TINPLATE

