

LIONEL ELECTRIC TRAINS
MODEL RAILROAD
ACCESSORIES
LIONEL CORPORATION TINPLATE

**"0" GAUGE
NO. 2815
OIL CAR**

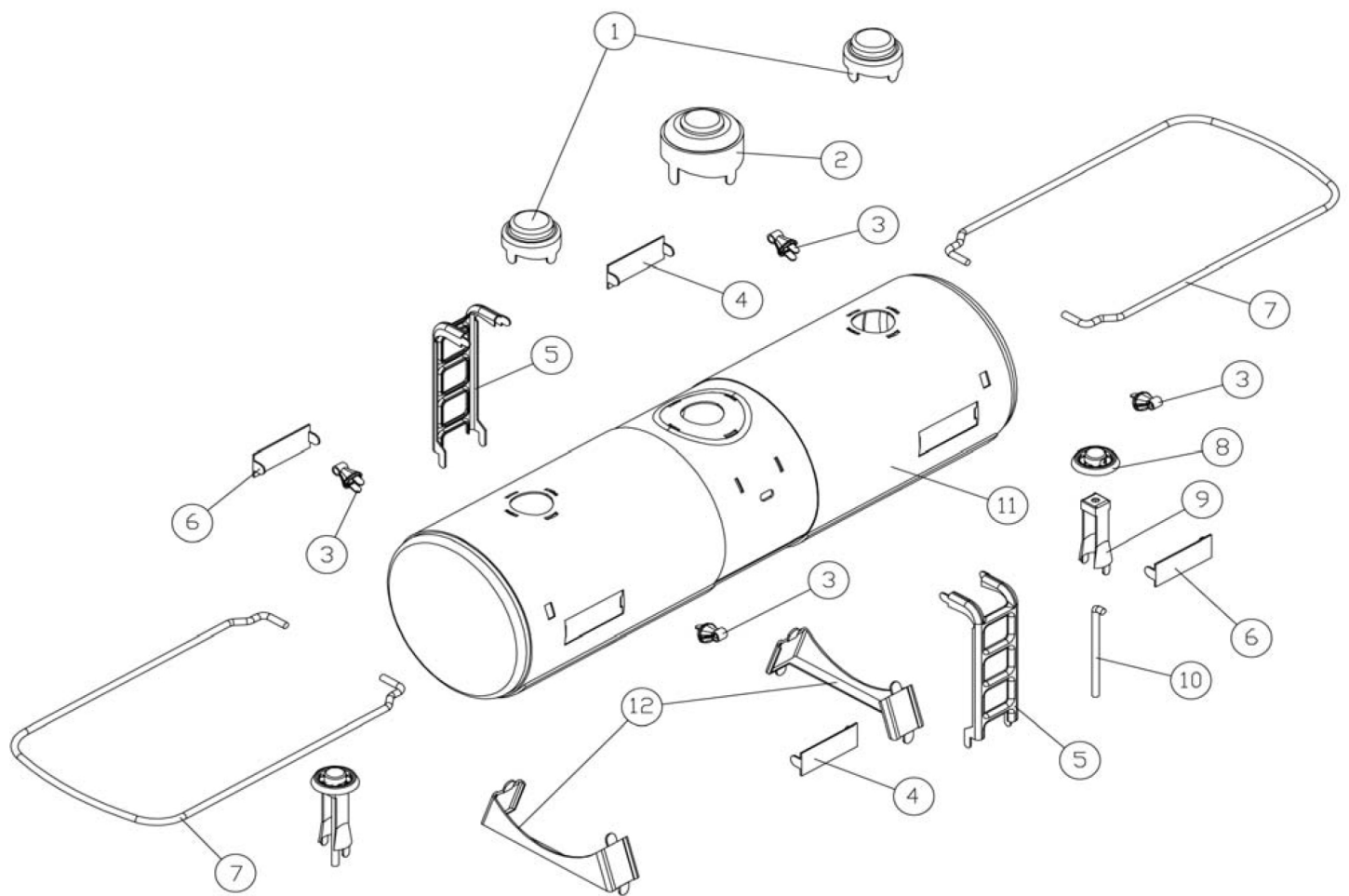
PARTS LIST & EXPLODED VIEW

REV. 12.2016

PARTS LIST: NO. 2815 OIL CAR BODY

1.) SMALL DOME BRASS	TP-SF00062
1A.) SMALL DOME NICKEL	TP-SF00090
2.) LARGE DOME BRASS	TP-OF00053
2A.) LARGE DOME NICKEL	TP-OF00052
3.) HANDRAIL STANCHIONS (NICKEL)	TP-MS00039
4.) NAMEPLATE	TP-281500001
5.) LADDER BRASS	TP-OF00046
5A.) LADDER NICKEL	TP-OF00056
6.) NUMBER PLATE	TP-281500002
7.) RAILING BRASS	TP-281500003
7A.) RAILING NICKEL	TP-281500004
8.) BRAKE WHEEL NICKEL	TP-OF00011
8A.) BRAKE WHEEL BRASS	TP-OF00010
9.) BRAKE WHEEL STAND NICKEL	TP-OF00036
9A.) BRAKE WHEEL STAND BRASS	TP-OF00037
10.) BRAKE WHEEL SHAFT NICKEL	TP-OF00015
10A.) BRAKE WHEEL SHAFT BRASS	TP-OF00014
11.) BODY ASS'Y	TP-281500005
12.) BODY BRACKET	TP-281500006

EXPLODED VIEW: NO. 2815 OIL CAR BODY



PARTS LIST: NO. 2815 OIL CAR CHASSIS



- | | |
|-----------------------------|------------------------------|
| 1.) FLOOR | TP-281500007 |
| 2.) E-RING | TP-OT00013 |
| 3.) BOLSTER | TP-281000030 |
| 4.) WASHER | TP-OT00028 |
| 5.) BOX COUPLER RIVET | TP-OT00012 |
| 6.) BOX COUPLER | TP-OT00011 |
| 7.) COUPLER LEVER | TP-281000032 |
| 8.) TRUCK SIDE FRAME | TP-281000033 |
| 9.) JOURNAL BOX BRASS | TP-MS00041 |
| 9A.) JOURNAL BOX NICKEL | TP-MS00042 |
| 9B.) JOURNAL BOX COPPER | TP-MS00043 |
| 10.) WHEEL | TP-OT00029 |
| 11.) WASHER | TP-ST00039 |
| 12.) AXLE | TP-OT00010 |
| 13.) AUTO BOX COUPLER ASS'Y | TP-281000034 |
| 14.) TRUCK BRACE | TP-OT00026 |
| 15.) TRUCK ASS'Y | TP-281000035 |

EXPLODED VIEW: NO. 2815 OIL CAR CHASSIS

