

LIONEL ELECTRIC TRAINS
MODEL RAILROAD
ACCESSORIES
LIONEL CORPORATION TINPLATE

**"0" GAUGE
NO. 2820
FLOODLIGHT CAR**

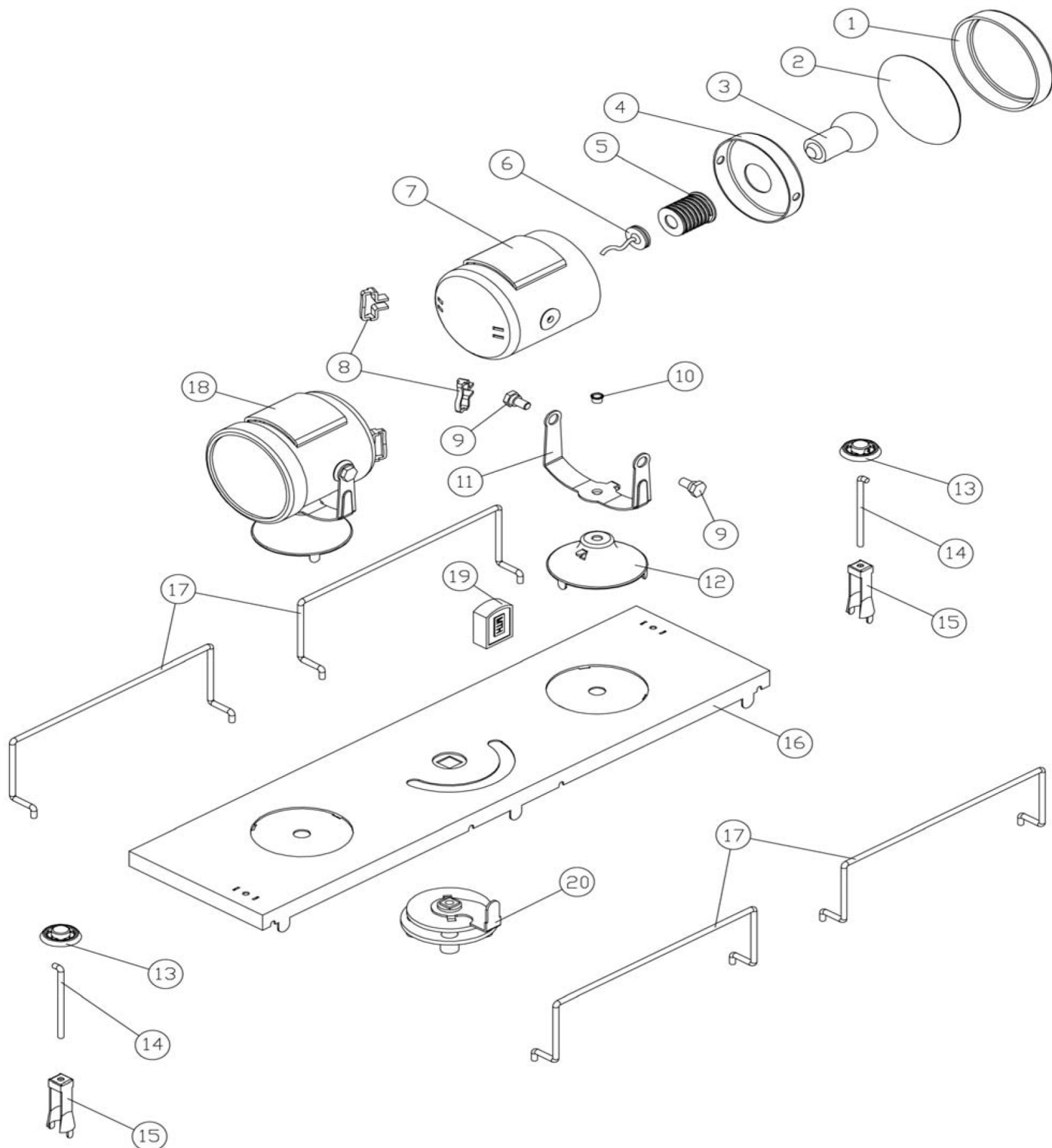
PARTS LIST & EXPLODED VIEW

REV. 12.2016

PARTS LIST: NO. 2820 FLOODLIGHT CAR BODY

1.) SEARCHLIGHT RING BRASS	TP-SF00053
1A.) SEARCHLIGHT RING NICKEL	TP-SF00054
2.) SEARCHLIGHT GLASS	TP-SF00052
3.) BULB SCREW 18V LARGE GLOKE	TP-MS00016
4.) REFLECTOR BASE	TP-282000001
5.) HOLDER	TP-282000002
6.) WIRE	TP-282000003
7.) SEARCHLIGHT HOUSING BRASS	TP-SF00107
8.) HANDLE BRASS	TP-MS00028
8A.) HANDLE NICKEL	TP-MS00029
9.) SPOTLIGHT SCREW	TP-282000004
10.) SPOTLIGHT RIVET	TP-282000005
11.) SPOTLIGHT FRAME	TP-282000006
12.) SPOTLIGHT BASE	TP-282000007
13.) BRAKE WHEEL NICKEL	TP-OF00011
13A.) BRAKE WHEEL BRASS	TP-OF00010
14.) BRAKE WHEEL STAND NICKEL	TP-OF00036
14A.) BRAKE WHEEL STAND BRASS	TP-OF00037
15.) BRAKE WHEEL SHAFT NICKEL	TP-OF00015
15A.) BRAKE WHEEL SHAFT BRASS	TP-OF00014
16.) BASE	TP-SF00100
17.) HANDRAIL BRASS	TP-OF00048
17A.) HANDRAIL NICKEL	TP-OF00047
18.) SEARCHLIGHT COMPLETE ASS'Y BRASS	TP-SF00050
18A.) SEARCHLIGHT COMPLETE ASS'Y NICKEL	TP-SF00051
19.) REVERSING HANDLE	TP-8400010
20.) MANUAL REVERSE SWITCH	TP-MS00049

EXPLODED VIEW: NO. 2820 FLOODLIGHT CAR BODY



PARTS LIST: NO. 2820 FLOODLIGHT CAR CHASSIS

1.) FLOOR	TP-282000008
2.) E-RING	TP-OT00013
3.) BOLSTER	TP-281000030
4.) WASHER	TP-OT00028
5.) BOX COUPLER RIVET	TP-OT00012
6.) BOX COUPLER	TP-OT00011
7.) COUPLER LEVER	TP-281000032
8.) TRUCK SIDE FRAME	TP-281000033
9.) JOURNAL BOX BRASS	TP-MS00041
9A.) JOURNAL BOX NICKEL	TP-MS00042
9B.) JOURNAL BOX COPPER	TP-MS00043
10.) WHEEL	TP-OT00029
11.) WASHER	TP-ST00039
12.) AXLE	TP-OT00010
13.) AUTO BOX COUPLER ASS'Y	TP-281000034
14.) TRUCK BRACE	TP-OT00026
15.) TRUCK ASS'Y W/PICKUP	TP-OF00050

EXPLODED VIEW: NO. 2820 FLOODLIGHT CAR CHASSIS

LIONEL ELECTRIC TRAINS
MODEL RAILROAD ACCESSORIES
LIONEL CORPORATION TINPLATE

