



F-3 ABA

20-2176-1

20-2177-1



REV.022001

F-3 Powered Lead A Unit

Engine Parts

Name and Number	Part #	\$Price Per Unit	Name and Number	Part #	\$Price Per Unit
1.) Shell (gray) (NYC)(# 1608)	FC-2100116	*85.00	27.) Spacer (nickel) (3.5x6.0x6.0mm)(metal)	ID-0000055	0.50
1.) Shell (green & white) (Southern)(# 4137)	FC-2100117	*85.00	28.) Bulbs (clear)(6v)(2) (65.0mm long wires w/ black plug)(grain of wheat) (number board lights)	CC-0000004	2.00
2.) Diaphragm (black) (3 rib)(26.0x50.0x10.0mm)	FI-0000017	2.00	29.) CV board (green) (has 1 red, 2 black & 1 blue female 2 pin plugs)	AG-0000014	30.00
3.) Vent (gray)(left) (NYC)(# 1608)	FC-2120020	8.00	30.) Screw (M3x10.0mm)(roundhead)	IA-0000110	0.15
3.) Vent (green)(left) (Southern)(# 4137)	FC-2120021	8.00	31.) Screw (M3x14.0mm)(roundhead)(w/ lock washer)	IA-0000012	0.15
4.) Vent (gray)(right) (NYC)(# 1608)	FC-2110020	8.00	32.) Screw (4/40x30.0mm) (12.0mm oversized shank)(round head)	IA-0000002	0.15
4.) Vent (green)(right) (Southern)(# 4137)	FC-2110021	8.00	33.) Heat sink (Aluminum) (3.0x20.0x16.0mm)(w/ off center hole)	AI-0000015	2.00
5.) Handrail (nickel) (18.5mm long)	FC-2100104	2.00	34.) Screw (M3x4.0mm)(roundhead)	IA-0000010	0.15
6.) Handrail (nickel) (31.5mm long)	FC-2100105	2.00	35.) Bracket (brass) (Proto-Sound® board mounting)	IH-0000072	2.00
7.) Lens (clear) (portal)(11.0mm)	FA-0000001	2.00	36.) Insulator (clear) (13.0x19.0x0.1mm)(single hole)	ID-0000024	0.15
8.) Air horns (nickel) (1 chime)	FC-2100118	3.00	37.) Insulator (white) (washer)(3.0x6.0x3.0mm)(plastic)	ID-0000025	0.15
9.) Vent (gray) (right)(top)(NYC)(# 1608)	FC-2100119	3.00	38.) Screw (4/40x6.0mm)(roundhead)	IA-0000003	0.15
9.) Vent (green & white) (right)(top)(Southern)(# 4137)	FC-2100120	3.00	39.) Board (top)(Proto-Sound®)	AE-4500001	*100.00
10.) Vent (gray) (left)(top)(NYC)(# 1608)	FC-2100121	3.00	40.) Proto-Sound® Chip	N/A	19.95
10.) Vent (green & white) (left)(top)(Southern)(# 4137)	FC-2100122	3.00	41.) Board (bottom)(Proto-Sound®)	AD-4500001	*60.00
11.) Handrail (nickel) (46.5mm long)	FC-2100123	2.00	42.) Battery	BG-4000001	9.95
12.) Lens (clear) (headlight)(8.0x7.0x6.0mm)	FA-2130006	2.00	43.) Battery leads (145.0mm long wires)	BC-0000003	3.00
13.) Number board housing (gray)(NYC)(# 1608)(# 1630)	FC-2100124	4.00	44.) Screw (yellow Zinc) (M2.5x6.0mm)(roundhead)(w/ lock washer)	IA-0000001	0.15
13.) Number board housing (green)(Southern)(# 4137)(# 4143)	FC-2100125	4.00	45.) Motor mount (black)	BI-0000009	15.00
14.) Windows (clear) (windshield and side windows)	FA-2130007	6.00	46.) Rubber band	BI-4500004	0.50
15.) Handrail (nickel) (12.0mm long)	FC-2100126	2.00	47.) Motor (RS-385PH) (w/ 8.0x17.0mm worm gear)(10.5mm long threads) (9.0x30.0mm brass tapered flywheel)	BE-0000022	25.00
16.) Number board (NYC)(# 1608)	FG-2100030	2.00	48.) Volume pot (B10K)(SW)(w/ 230.0mm long wires)	BI-0000026	5.00
16.) Number board (Southern)(# 4137)	FG-2100031	2.00	49.) Bracket (black) (volume pot)(plastic)(u-shaped)	IH-0000023	2.00
17.) Screw (M2.5x25.0mm)(roundhead)	IA-0000109	0.15	50.) Washer (7.0x12.0x0.5mm)	ID-0000034	0.15
18.) Engineer	FI-0000001	5.00	51.) Nut (6.0x10.0x2.0)(for volume pot)	IC-0000007	0.50
19.) Interior detail (white)	FC-2100127	5.00	52.) Screw (M3x10.0mm)(flathead)(self-drilling)	IA-0000111	0.15
20.) Grommet (black) (4.5x5.0mm)(rubber)	IH-0000010	0.15	53.) Wire harness (250.0mm long wires)(w/ 4 pin flat male plug) (w/ 4 pin prong plug)	BC-0000014	8.00
21.) Bulb (clear)(6v)(cab light) (65.0mm long wires w/ black plug)(grain of wheat)	CG-0000013	2.00	54.) Screw (M3x16.0mm)(washer head)(self-drilling)	IA-0000025	0.15
22.) Bulb holder (black)(plastic)	IH-0000070	1.00	55.) T-bar (non-operating)(34.5mm long)(T-bar mounting)	IG-0000001	0.50
23.) Bracket (black) (for lights on front of F-3 A unit)	IH-0000071	3.00	56.) Coupler (black) (non-operating)(34.5mm long)(T-bar mounting)	DD-4000005	3.00
24.) Screw (M2.5x3.0mm)(roundhead)	IA-0000022	0.15	57.) Spring (nickel) (6.5x14.0mm)(0.5mm thick wire)	IE-0000022	0.50
25.) Chassis (black) (powered A unit)	DH-2100008	*15.00			
26.) Bulb (clear)(6v)(headlight) (65.0mm long wires w/ blue plug)(grain of wheat)	CA-0000010	2.00			

*Requires Exchange
All parts are priced as each



F-3 Powered Lead A Unit

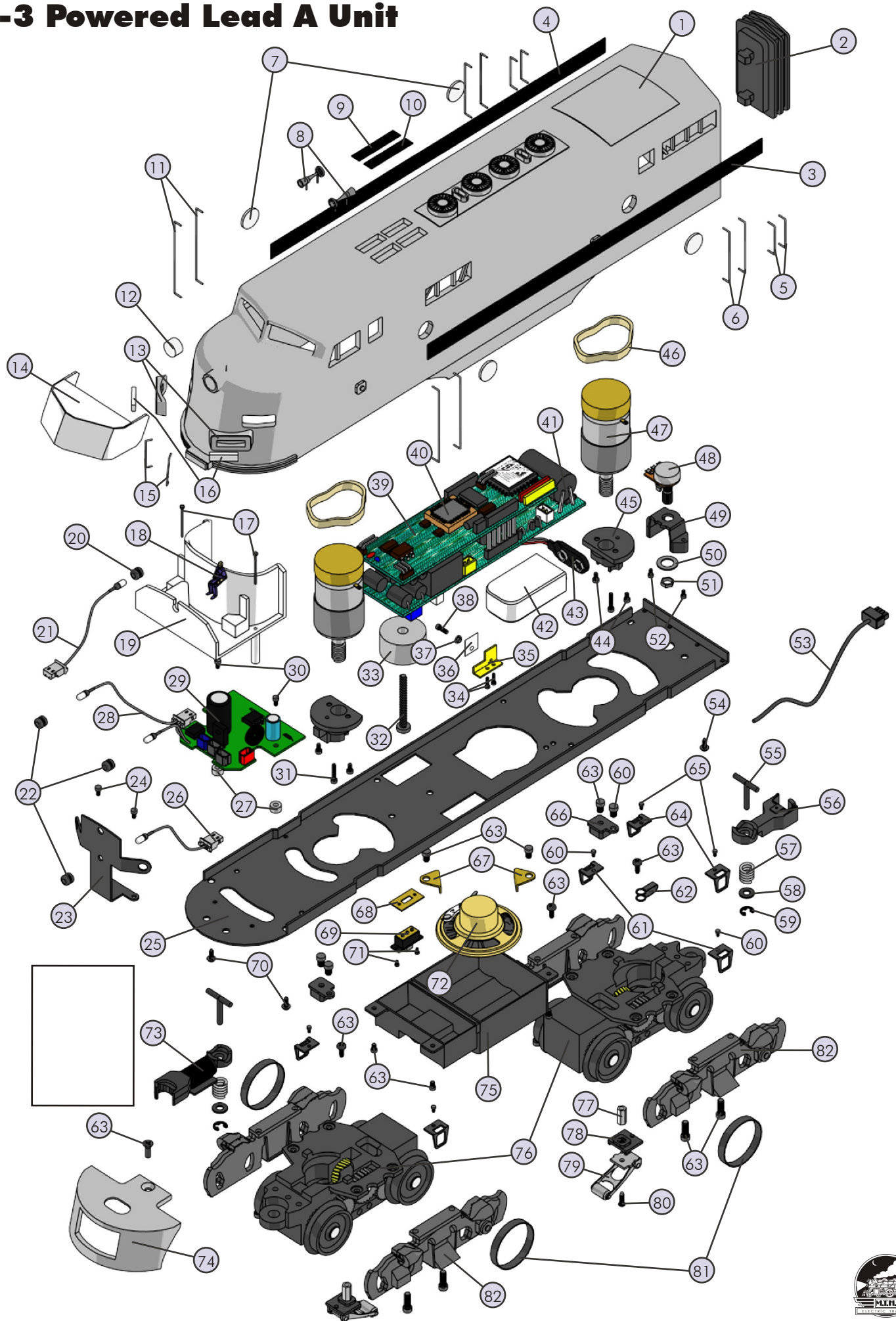
Engine Parts

Name and Number	Part #	\$Price Per Unit
58.) Washer (5.0x10.0x1.0mm)	ID-0000026	0.15
59.) E-clip (3.0x8.0x0.5mm)	IF-0000002	0.15
60.) Screw (M2.5x4.0mm)(roundhead)	IA-0000023	0.15
61.) Ladder (black)(truck side)	FC-2100109	3.00
62.) Wire strap (black) (metal)(small)	IH-0000012	1.00
63.) Screw (M3x6.0mm)(roundhead)	IA-0000016	0.15
64.) Ladder (black)(chassis)	FC-2100107	3.00
65.) Screw (M2.5x5.0mm)(roundhead)	IA-0000044	0.15
66.) Insulator (black) (top)(square)(pick-up)	BD-0000026	2.00
67.) Bracket (brass) (speaker)(12.0x12.0mm)	IH-0000036	1.00
68.) Plate (black) (coil coupler direction)	ID-0000056	1.00
69.) Switch (large)	BB-0000006	5.00
70.) Screw (M3x16.0mm)(flathead)(self-drilling)	IA-0000014	0.15
71.) Screw (M2x4.0mm)(roundhead)	IA-0000058	0.15
72.) Speaker (Star, PR-05004-08)(8 ohms)(0.2 watt)	BF-4500008	8.95
73.) Proto-Coupler® (black) (51.5mm long)	DD-0000001	10.00
74.) Pilot (black)	DG-2130002	15.00
75.) Fuel tank (black)	FC-2100128	*15.00
76.) Truck (powered)(2 axle)	DA-2050001	*30.00
77.) Nut (nickel) (2.5x5.0x10.0mm)	IC-0000005	0.50
78.) Insulator (black) (pick-up)(bottom)(square)(flat)	BD-0000006	2.00
79.) Pick-up (8.0x11.0mm roller)(28.0mm long)	BD-0000025	5.00
80.) Screw (nickel) (M3x6.0mm)(roundhead)	IA-0000015	0.15
81.) Traction tire	DE-0000018	0.75
82.) Truck side (black)	DB-2150001	7.00

*Requires Exchange
All parts are priced as each



F-3 Powered Lead A Unit



F-3 Powered Trailing A Unit

Engine Parts

Name and Number	Part #	\$Price Per Unit	Name and Number	Part #	\$Price Per Unit
1.) Shell (gray) (NYC)(# 1630)	FC-2100129	*85.00	28.) CV board (green) (has 1 red, 2 black & 1 blue female 2 pin plugs)	AG-0000014	30.00
1.) Shell (green & white) (Southern)(# 4143)	FC-2100130	*85.00	29.) Spacer (nickel) (3.5x6.0x6.0mm)(metal)	ID-0000055	0.50
2.) Diaphragm (black)(3 rib)	FI-0000017	2.00	30.) Screw (M3x16.0mm)(flathead)(self-drilling)	IA-0000014	0.15
3.) Vent (gray)(left) (NYC)(# 1608)(# 1630)	FC-2120020	8.00	31.) Proto-Coupler® (51.5mm long)	DD-0000001	10.00
3.) Vent (left)(green) (Southern)(# 4143)(# 4137)	FC-2120021	8.00	32.) Screw (M3x6.0mm)(roundhead)	IA-0000016	0.15
4.) Vent (right)(gray) (NYC)(# 1608)(# 1630)	FC-2110020	8.00	33.) Pilot (black) (1 hole for mounting screw)	DG-2130002	15.00
4.) Vent (right)(green) (Southern)(# 4143)(# 4137)	FC-2110021	8.00	34.) Fuel tank (black) (no switch holes)	FC-2100131	*15.00
5.) Handrail (nickel) (18.5mm long)	FC-2100104	2.00	35.) Truck (black)(powered) (2 axle)(truck sides mount on from top) (has 1 hole tapped for mounting pilot)	DA-2050001	*30.00
6.) Handrail (nickel) (31.5mm long)	FC-2100105	2.00	36.) Truck side (black) (for 2 axle trucks)(mounts on to truck from top)	DB-2150001	7.00
7.) Lens (clear) (portal)(11.0mm)	FA-0000001	2.00	37.) Screw (nickel) (M3x6.0mm)(roundhead)	IA-0000015	0.15
8.) Air horns (nickel)(1 chime)	FC-2100118	3.00	38.) Pick-up (8.0x11.0mm roller)(28.0mm long)	BD-0000025	5.00
9.) Vent (gray) (right)(top)(NYC)(# 1608)(# 1630)	FC-2100119	3.00	39.) Insulator (black) (pick-up)(bottom)(square)(flat)	BD-0000006	2.00
9.) Vent (green & white) (right)(top)(Southern)(# 4137)(# 4143)	FC-2100120	3.00	40.) Nut (nickel) (2.5x5.0x10.0mm)	IC-0000005	0.50
10.) Vent (gray) (left)(top)(NYC)(# 1608)(# 1630)	FC-2100121	3.00	41.) Ladder (black)(truck side)	FC-2100109	3.00
10.) Vent (green & white) (left)(top)(Southern)(# 4137)(# 4143)	FC-2100122	3.00	42.) Screw (M2.5x4.0mm)(roundhead)	IA-0000023	0.15
11.) Handrail (nickel) (46.5mm long)	FC-2100123	2.00	43.) Ladder (black)(chassis)	FC-2100107	3.00
12.) Lens (clear) (headlight)(8.0x7.0x6.0mm)	FA-2130006	2.00	44.) Screw (M2.5x5.0mm)(roundhead)	IA-0000044	0.15
13.) Number board housing (gray)(NYC)(# 1608)(# 1630)	FC-2100124	4.00	45.) E-clip (3.0x8.0x0.5mm)	IF-0000002	0.15
13.) Number board housing (green)(Southern)(# 4137)(# 4143)	FC-2100125	4.00	46.) Washer (5.0x10.0x1.0mm)	ID-0000026	0.15
14.) Number board (NYC)(# 1630)	FG-2100032	2.00	47.) Spring (nickel) (6.5x14.0mm)(w/ 0.5mm thick wire)	IE-0000022	0.50
14.) Number board (Southern)(# 4143)	FG-2100033	2.00	48.) Coupler (black) (non-operating)(34.5mm long)(T-bar mounting)	DD-4000005	3.00
15.) Handrail (nickel) (12.0mm long)	FC-2100126	2.00	49.) T-bar (34.5mm long)	IG-0000001	0.50
16.) Windows (clear) (windshield and side windows)	FA-2130007	6.00	50.) Screw (M3x16.0mm)(washer head)(self-drilling)	IA-0000025	0.15
17.) Screw (M2.5x25.0mm)(roundhead)	IA-0000109	0.15	51.) Wire strap (black) (metal)(small)	IH-0000012	1.00
18.) Engineer	FI-0000001	5.00	52.) Insulator (black) (top)(square)(pick-up)	BD-0000026	2.00
19.) Interior detail (white)	FC-2100127	5.00	53.) Chassis (black) (powered A unit)(for A unit w/ DCRU)	DH-2100009	*15.00
20.) Grommet (black) (4.5x5.0mm)(rubber)	IH-0000010	0.15	54.) Spacer (black) (2.0x4.5x14.5mm)(metal)	ID-0000050	0.50
21.) Bulbs (clear)(6v)(2) (65.0mm long wires w/ black plug)(grain of wheat) (number board lights)	CC-0000004	3.00	55.) Wire harness	BC-0000015	8.00
22.) Bulb holder (black)(plastic)	IH-0000070	1.00	56.) Screw (M2x18.0mm)(roundhead)	IA-0000095	0.15
23.) Bracket (black) (for lights on front of F-3 A unit)	IH-0000071	3.00	57.) Rubber band	BI-4500004	0.50
24.) Screw (M2.5x3.0mm)(roundhead)	IA-0000022	0.15	58.) Motor (RS-385PH) (w/ 8.0x17.0mm worm gear)(10.5mm long threads) (9.0x30.0mm brass tapered flywheel)	BE-0000022	25.00
25.) Bulb (clear)(6v)(cab light) (65.0mm long wires w/ black plug)(grain of wheat)	CG-0000013	2.00			
26.) Bulb (clear)(6v)(headlight) (65.0mm long wires w/ blue plug)(grain of wheat)	CA-0000010	2.00			
27.) Screw (M3x10.0mm)(roundhead)	IA-0000110	0.15			

*Requires Exchange
All parts are priced as each



F-3 Powered Trailing A Unit

Engine Parts

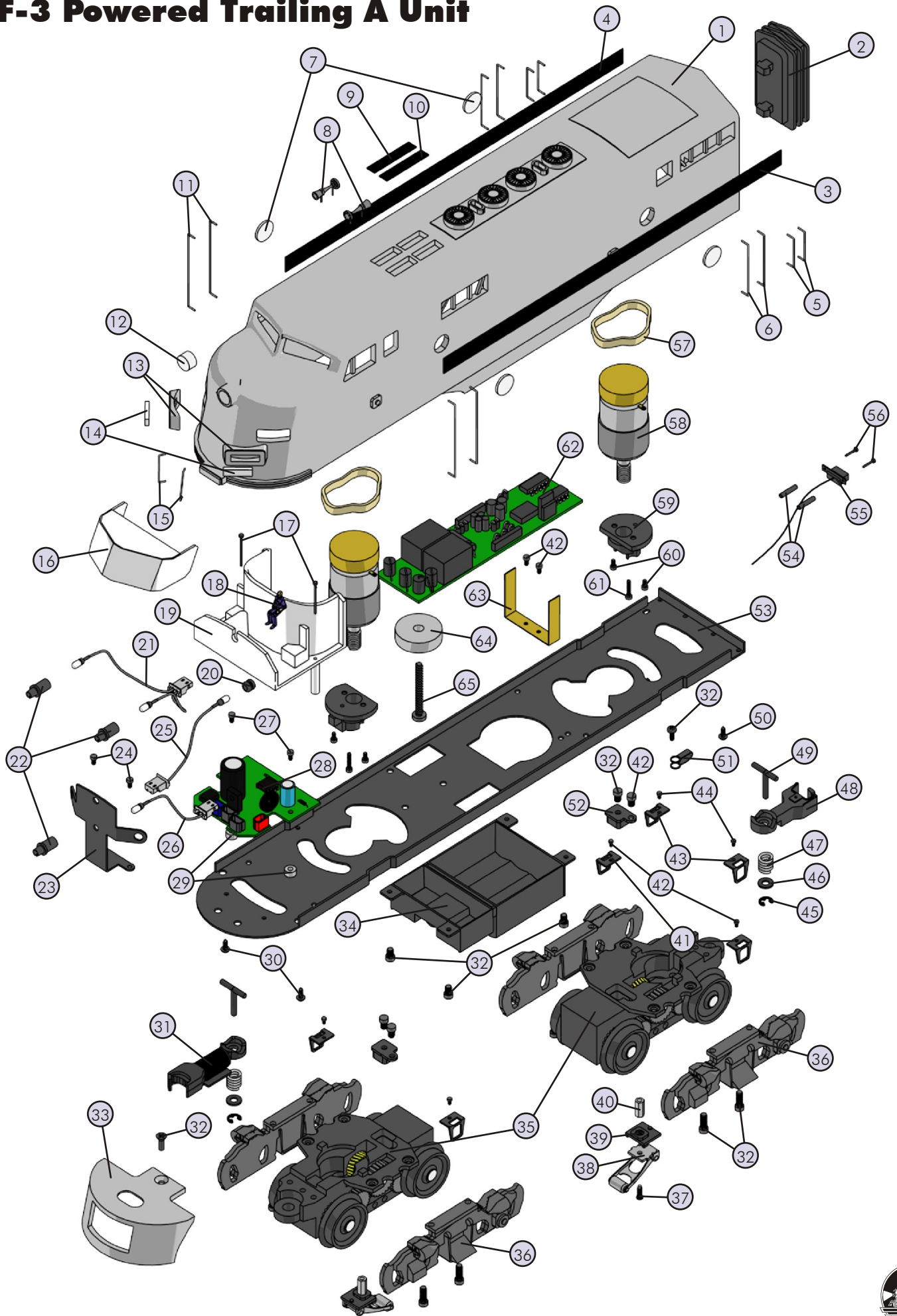
Name and Number	Part #	\$Price Per Unit
59.) Motor mount (black) (fits 2 axle Premier Diesel trucks)	BI-0000009	15.00
60.) Screw (yellow Zinc) (M2.5x6.0mm)(roundhead)(w/ lock washer)	IA-0000001	0.15
61.) Screw (M3x14.0mm)(roundhead)(w/ lock washer)	IA-0000012	0.15
62.) Board (green) (DCRU)(slave board)	AC-0000001	39.95
63.) Bracket (brass) (DCRU)(35.0x22.0mm)(u-shaped)(metal)	IH-0000035	1.00
64.) Heat sink (Aluminum) (3.0x20.0x5.0mm)	AI-4500007	2.00
65.) Screw (4/40x20.0mm)(roundhead)	IA-0000112	0.15

*Requires Exchange

All parts are priced as each



F-3 Powered Trailing A Unit



F-3 Non-Powered B Unit

Engine Parts

Name and Number	Part #	\$Price Per Unit
1.) Shell (gray) (NYC)(# 2414)	FC-2100112	*85.00
1.) Shell (green & white) (Southern)	FC-2100113	*85.00
2.) Lens (clear) (portal)(11.0mm)	FA-0000001	2.00
3.) Vent (gray)(top) (NYC)(# 2414)	FC-2100114	3.00
3.) Vent (white)(top) (Southern)	FC-2100115	3.00
4.) Vent (right)(gray) (NYC)(# 2414)	FC-2110018	8.00
4.) Vent (right)(green) (Southern)	FC-2110019	8.00
5.) Vent (left)(gray) (NYC)(# 2414)	FC-2120018	8.00
5.) Vent (left)(green) (Southern)	FC-2120019	8.00
6.) Diaphragm (black)(3 rib)	FI-0000017	2.00
7.) Handrail (nickel) (18.5mm long)	FC-2100104	2.00
8.) Handrail (nickel) (31.5mm long)	FC-2100105	2.00
9.) Bolt (8/32x15.0mm)(6.0x8.0mm oversized shank) (1.8x10.0mm slotted head)	IA-0000088	1.00
10.) Spring (nickel) (8.0x12.0mm)(0.7mm thick wire)	IE-0000026	0.50
11.) Screw (M2.5x4.0mm)(roundhead)	IA-0000023	0.15
12.) Ladder (black)(chassis)	FC-2100107	3.00
13.) Screw (M2x4.0mm)(roundhead)	IA-0000058	0.15
14.) PC board (145.0mm long w/ 4 pin male black plug)	BB-0000015	8.00
15.) Screw (M3x18.0mm)(washer head)(self-drilling)	IA-0000107	0.15
16.) Chassis (black) (non powered B unit)	DH-2100007	*15.00
17.) Screw (M3x6.0mm)(roundhead)	IA-0000016	0.15
18.) Fuel tank (black) (no holes for switch)	FC-2100111	*15.00
19.) Screw (M3x6.0mm)(roundhead)	IA-0000016	0.15
20.) Truck side (black) (truck side mounts from top)	DB-2050003	7.00
21.) Ladder (black)(truck side)	FC-2100109	3.00
22.) Coupler (black) (non-operating)(34.5mm long)(screw base)	DD-4000008	3.00
23.) Spring (nickel) (centering spring)	IE-0000027	0.50
24.) Screw (M2.5x6.0mm)(washer head)	IA-0000108	0.15
25.) Truck (black) (non-operating)(2 axle)(truck sides mount from top)	DA-2000003	20.00
26.) Wire strap (black) (metal)(small)	IH-0000012	1.00
27.) Wire harness (black) (200.0mm long wires) (w/ 4 pin male flat plug & 4 pin female white plug)	BC-0000013	8.00

*Requires Exchange
All parts are priced as each



F-3 Non-Powered B Unit

