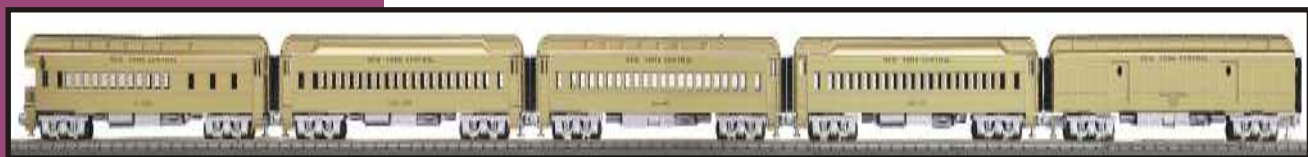




20-4029

Madison Passenger Cars



REV.041103

Madison Passenger Cars

Baggage Car Parts

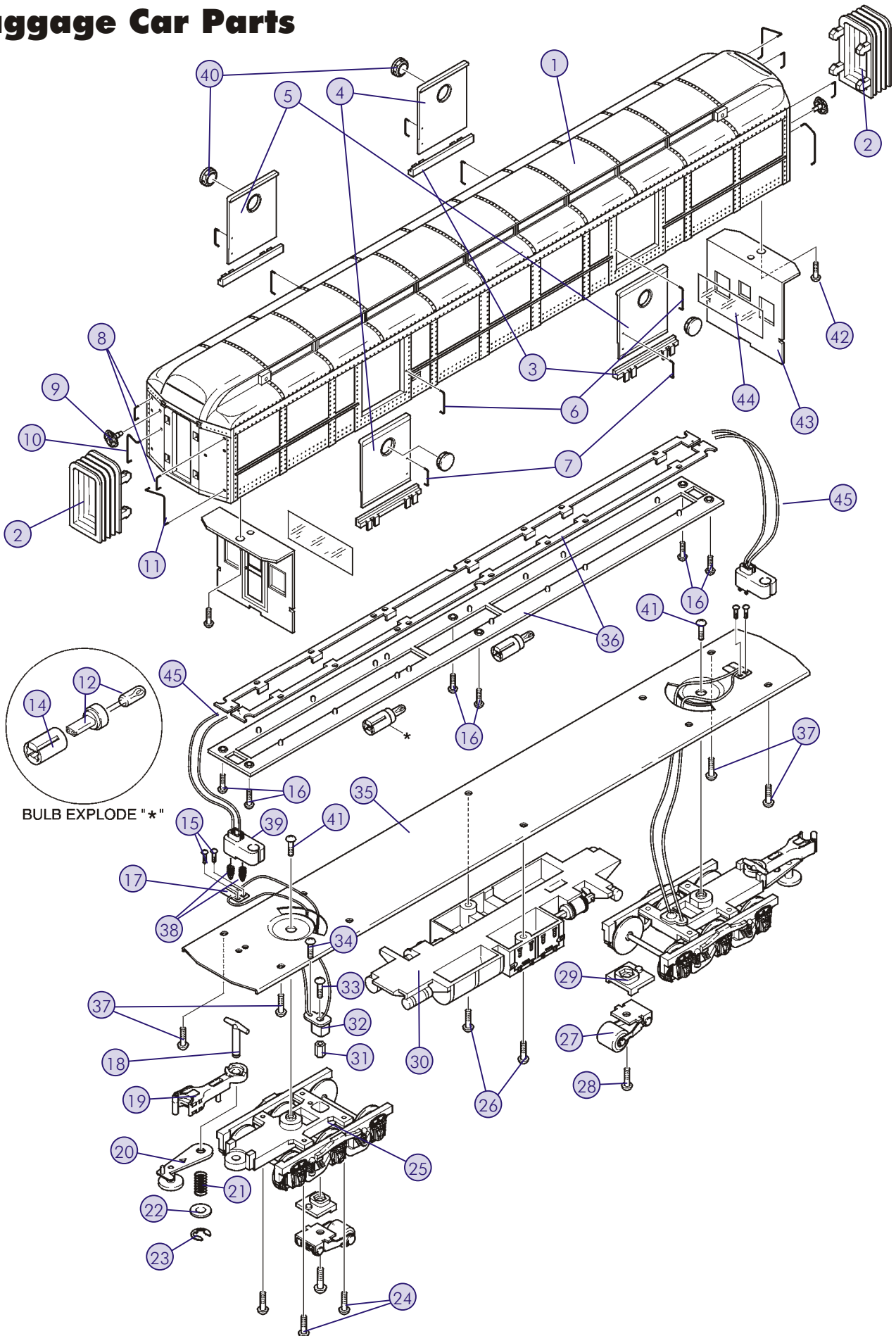
		\$Price				\$Price	
Name and Number	Part #	Per Unit		Name and Number	Part #	Per Unit	
1.) Shell (gold) (NYC)(# 2000)(Railway Express Agency)	GC-0100131	*N/A		38.) Contact springs (copper)	IE-0000015	0.50	
2.) Diaphragm (black)(4 rib) (27.0x49.0x14.0mm)(4 mounting tabs)(rubber)	FI-0000011	2.00		39.) Contact spring base (black) (plastic)(for 1 male 2 pin plug)	BH-0000001	2.00	
3.) Door runner (gold)(NYC)	GC-0100132	*N/A		40.) Lens (clear)(portal)(baggage)	GC-0100022	2.00	
4.) Door (gold)(NYC)(right hand)	GC-0100133	*N/A		41.) Screw (nickel) (6/32x6.0mm)(washer head)	IA-0000039	0.15	
5.) Door (gold)(NYC)(left hand)	GC-0100134	*N/A		42.) Screw (M3x8.0mm)(washer head)	IA-0000067	0.15	
6.) Handrail (nickel) (car side)(14.0mm long)	GC-0100014	1.00		43.) Interior detail (gold) (baggage)	GC-0100137	*N/A	
7.) Door Handle (nickel) (10.0mm long)	GC-0100015	1.00		44.) Lens (clear) (for interior detail on each end of car)	FA-0100001	2.00	
8.) Handrail (nickel) (car end)(8.0mm long)	GC-0100016	1.00		45.) Wire harness (bulb guide)	BC-0000006	2.00	
9.) Brake wheel (gold)(NYC)	GC-0100135	*N/A					
10.) Handrail (nickel) (left)(car end)	GC-0120001	2.00					
11.) Handrail (nickel) (right)(car end)	GC-0110001	2.00					
12.) Bulb (clear)(18v) (4.7x10.7mm bulb)(6.0x10.6mm gray base) (2.0mm thick plug)(grain of wheat)	CG-0000005	1.00					
13.) N/A							
14.) Socket (dark gray) (for plug-in base)(fits CG-0000005)	CH-0000007	1.00					
15.) Screw (4/40x4.0mm)(roundhead)	IA-0000021	0.15					
16.) Screw (4/40x6.0mm)(roundhead)	IA-0000003	0.15					
17.) Contact board	BH-0000010	2.00					
18.) T-bar (black) (4.0x20.0mm)(plastic)	IG-0000001	0.50					
19.) Coupler (platinum)	DD-0000025	*N/A					
20.) Coupler armature (platinum)	DD-0000026	*N/A					
21.) Spring (nickel) (6.5x11.0mm)(w/ 0.4mm thick wire)	IE-0000007	0.50					
22.) Washer (black) (5.0x10.0x1.0mm)	ID-0000026	0.15					
23.) E-clip (black) (metal)(3.0x8.0x0.5mm)	IF-0000002	0.15					
24.) Screw (4/40x3.0mm)(roundhead)	IA-0000275	0.15					
25.) Truck (3 axle)(platinum)	DA-0100012	*N/A					
26.) Screw (M3x16.0mm)(washer head)(self-drilling)	IA-0000025	0.15					
27.) Pick-up (8.0x11.0mm roller)(24.0mm long)	BD-0000040	5.00					
28.) Screw (nickel) (M3x6.0mm)(roundhead)	IA-0000015	0.15					
29.) Insulator (pick-up)(bottom)(flat)(square)	BD-0000024	2.00					
30.) Undercarriage detail (platinum)	GC-0100136	*N/A					
31.) Nut (nickel)(2.5x5.0x7.0mm)	IC-0000008	0.50					
32.) Insulator (top)(square)(pick-up)	BD-0000014	2.00					
33.) Screw (nickel) (M3x6.0mm)(roundhead)	IA-0000015	0.15					
34.) Screw (4/40x6.0mm)(roundhead)	IA-0000003	0.15					
35.) Floor (black)	GB-0100001	*10.00					
36.) Bulb guide	CH-0000008	10.00					
37.) Screw (M3x16.0mm)(washer head)(self-drilling)	IA-0000025	0.15					

*Requires Exchange
All parts are priced as each



Madison Passenger Cars

Baggage Car Parts



Madison Passenger Cars

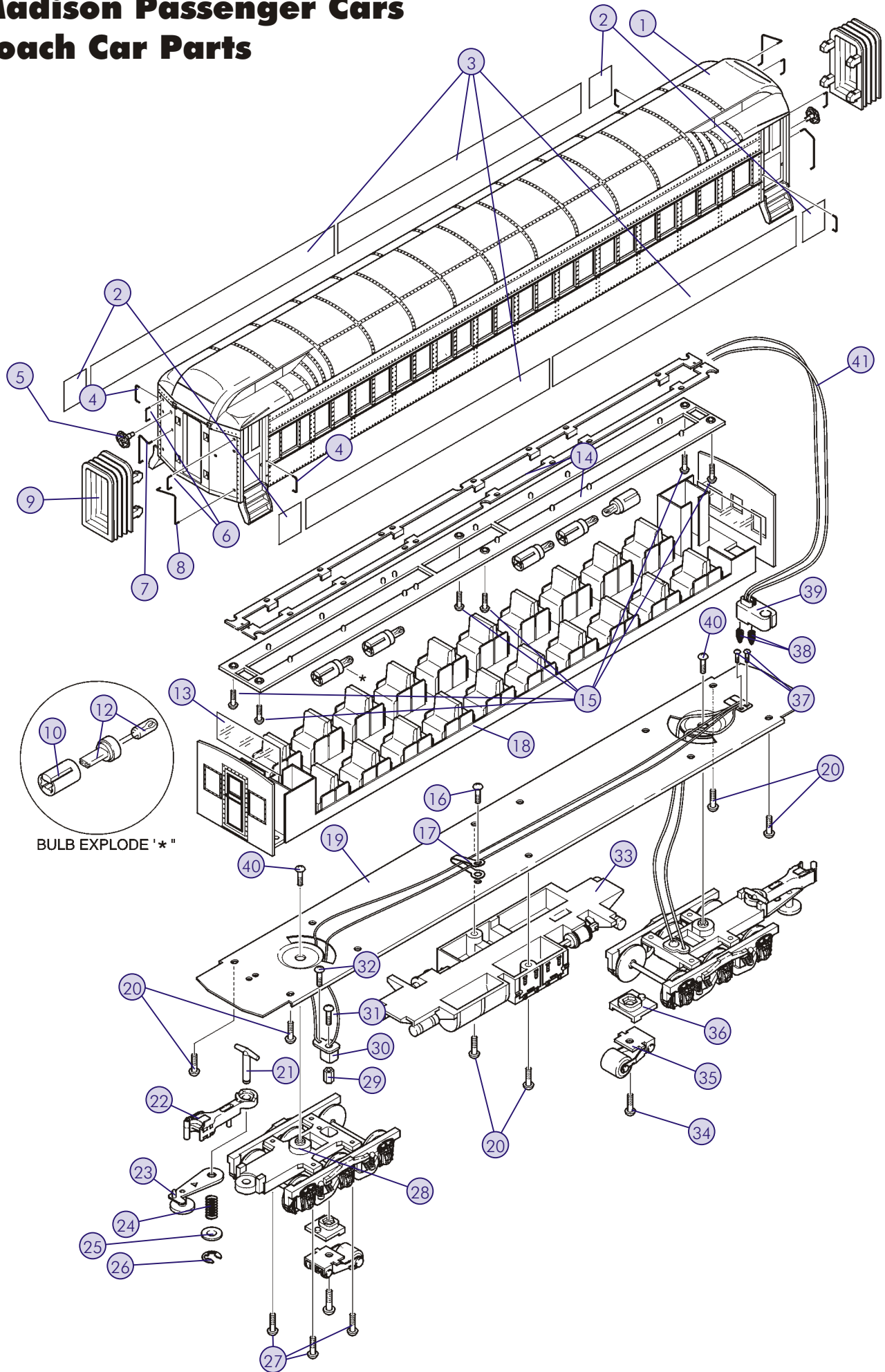
Coach Car Parts

\$Price			\$Price		
Name and Number	Part #	Per Unit	Name and Number	Part #	Per Unit
1.) Shell (gold) (NYC)(Harry C. Ives)	GC-0100138	*N/A	34.) Screw (nickel) (M3x6.0mm)(roundhead)	IA-0000015	0.15
Shell (gold) (NYC)(Louis Marx)	GC-0100139	*N/A	35.) Pick-up (8.0x11.0mm roller)(24.0mm long)	BD-0000040	5.00
Shell (gold) (NYC)(J. Lionel Cowen)	GC-0100140	*N/A	36.) Insulator (pick-up)(bottom)(flat)(square)	BD-0000024	2.00
2.) Lens (clear) (side door window)(coach)	FA-0100002	1.00	37.) Screw (4/40x4.0mm)(roundhead)	IA-0000021	0.15
3.) Lens (clear) (side window)(coach)	FA-0100003	2.00	38.) Contact springs (copper)	IE-0000015	0.50
4.) Handrail (nickel) (car side)(14.0mm long)	GC-0100014	1.00	39.) Contact spring base (black) (plastic)(for 1 male 2 pin plug)	BH-0000001	2.00
5.) Brake wheel (gold)(NYC)	GC-0100135	*N/A	40.) Screw (nickel) (6/32x6.0mm)(washer head)	IA-0000039	0.15
6.) Handrail (nickel) (car end)(8.0mm long)	GC-0100016	1.00	41.) Wire harness (interior bulb guide)	BC-0000006	2.00
7.) Handrail (nickel) (left)(car end)	GC-0120001	2.00			
8.) Handrail (nickel) (right)(car end)	GC-0110001	2.00			
9.) Diaphragm (black)(4 rib) (27.0x49.0x14.0mm)(4 mounting tabs)(rubber)	FI-0000011	2.00			
10.) Socket (dark gray) (for plug-in base)(fits CG-0000005)	CH-0000007	1.00			
11.) N/A					
12.) Bulb (clear)(18v) (4.7x10.7mm bulb)(6.0x10.6mm gray base) (2.0mm thick plug)(grain of wheat)	CG-0000005	1.00			
13.) Lens (clear) (for interior detail on each end of car)	FA-0100001	2.00			
14.) Bulb guide	CH-0000008	10.00			
15.) Screw (4/40x6.0mm)(roundhead)	IA-0000003	0.15			
16.) Screw (4/40x4.0mm)(roundhead)	IA-0000021	0.15			
17.) Wire strap (black) (metal)(small)	IH-0000012	0.50			
18.) Interior detail (gold)	GC-0100141	*N/A			
19.) Floor (black) (coach)(2 1/4" x 16 3/4")(w/ notched corners)	GB-0100002	*10.00			
20.) Screw (M3x16.0mm)(washer head)(self-drilling)	IA-0000025	0.15			
21.) T-bar (black) (4.0x20.0mm)(plastic)	IG-0000001	0.50			
22.) Coupler (platinum)	DD-0000025	*N/A			
23.) Coupler armature (platinum)	DD-0000026	*N/A			
24.) Spring (nickel) (6.5x11.0mm)(w/ 0.4mm thick wire)	IE-0000007	0.50			
25.) Washer (black) (5.0x10.0x1.0mm)	ID-0000026	0.15			
26.) E-clip (black) (metal)(3.0x8.0x0.5mm)	IF-0000002	0.15			
27.) Screw	IA-0000275	0.15			
28.) Truck (3 axle)(platinum)	DA-0100012	*N/A			
29.) Nut (nickel)(2.5x5.0x7.0mm)	IC-0000008	0.50			
30.) Insulator (top)(square)(pick-up)	BD-0000014	2.00			
31.) Screw (nickel) (M3x6.0mm)(roundhead)	IA-0000015	0.15			
32.) Screw (4/40x6.0mm)(roundhead)	IA-0000003	0.15			
33.) Undercarriage detail (platinum)	GC-0100136	*N/A			

*Requires Exchange
All parts are priced as each



Madison Passenger Cars Coach Car Parts



Madison Passenger Cars

Observation Car Parts

Name and Number	Part #	\$Price Per Unit	Name and Number	Part #	\$Price Per Unit
1.) Shell (NYC)(A.C. Gilbert)	GC-0100142	*N/A	38.) Pick-up (8.0x11.0mm roller)(24.0mm long)	BD-0000040	5.00
2.) Lens (clear)(side window)	FA-0100003	2.00	39.) Insulator (pick-up)(bottom)(flat)(square)	BD-0000041	2.00
3.) Lens (clear)(side door window)	FA-0100002	1.00	40.) Truck (Platinum)(3 axle)	DA-0100012	*N/A
4.) Handrail (nickel) (car side)(14.0mm long)	GC-0100014	1.00	42.) Insulator (top)(square)(pick-up)	BD-0000014	2.00
5.) Handrail (nickel) (right)(car end)	GC-0110001	2.00	43.) Screw (nickel) (M3x6.0mm)(roundhead)	IA-0000015	0.15
6.) Handrail (nickel) (left)(car end)	GC-0120001	2.00	44.) Screw (4/40x6.0mm)(roundhead)	IA-0000003	0.15
7.) Brake wheel (gold)(NYC)	GC-0100135	*N/A	45.) Undercarriage detail (Platinum)	GC-0100136	*N/A
8.) Handrail (nickel) (car end)(8.0mm long)	GC-0100016	1.00	46.) T-bar (black) (4.0x20.0mm)(plastic)	IG-0000001	0.50
9.) Diaphragm (black)(4 rib) (27.0x49.0x14.0mm)(4 mounting tabs)(rubber)	FI-0000011	2.00	47.) Wire strap (black) (metal)(small)	IH-0000012	0.50
10.) Marker light housing (Scale Observation car)(Madison)	GC-0100041	8.00	48.) Screw (4/40x4.0mm)(roundhead)	IA-0000021	0.15
11.) End car detail (gold)(NYC)	GC-0100143	*N/A			
12.) Screw (M3x12.0mm)(washer head)(self-drilling)	IA-0000031	0.15			
13.) Porch (gold)(NYC)	GC-0100144	*N/A			
14.) Drumhead (20th Century Limited)	GC-0100145	*5.00			
15.) Lens (clear) (for interior detail on each end of car)	FA-0100001	2.00			
16.) Bulb guide	CH-0000008	10.00			
17.) Light bulb (clear) (1.5v)(2)(grain of wheat)	CG-0000006	3.00			
18.) Light bulb (1.5v)(1)(grain of wheat)	CG-0000007	2.00			
19.) Socket (dark gray) (for plug-in base)(fits CG-0000005)	CH-0000007	1.00			
20.) N/A					
21.) Bulb (clear)(18v) (4.7x10.7mm bulb)(6.0x10.6mm gray base) (2.0mm thick plug)(grain of wheat)	CG-0000005	1.00			
22.) CV board	AG-0100010	15.00			
23.) Screw (yellow Zink) (M2.5x8.0mm)(roundhead)(self-drilling)	IA-0000068	0.15			
24.) Interior detail (gold) (NYC)(observation)	GC-0100146	*N/A			
25.) Screw (nickel) (6/32x6.0mm)(washer head)	IA-0000039	0.15			
26.) Contact spring base (black) (plastic)(for 1 male 2 pin plug)	BH-0000001	2.00			
27.) Screw (4/40x4.0mm)(roundhead)	IA-0000021	0.15			
28.) Contact springs (copper)	IE-0000015	0.50			
29.) Contact board	BH-0000010	2.00			
30.) Screw (M3x16.0mm)(washer head)(self-drilling)	IA-0000025	0.15			
31.) Coupler (platinum)	DD-0000025	*N/A			
32.) Coupler armature (platinum)	DD-0000026	*N/A			
33.) Spring (nickel) (6.5x11.0mm)(w/ 0.4mm thick wire)	IE-0000007	0.50			
34.) Washer (black) (5.0x10.0x1.0mm)	ID-0000026	0.15			
35.) E-clip (black) (metal)(3.0x8.0x0.5mm)	IF-0000002	0.15			
36.) Screw (4/40x3.0mm)(roundhead)	IA-0000275	0.15			
37.) Screw (nickel) (M3x6.0mm)(roundhead)	IA-0000015	0.15			

*Requires Exchange
All parts are priced as each



Madison Passenger Cars Observation Car Parts

