



# Madison Passenger Cars

20-4031  
20-4030



REV.050301

# Madison Passenger Cars

## Baggage Car

Name and Number	Part #	\$Price Per Unit
1.) Shell (UP)( #1738 )	GC-0100103	*30.00
1.) Shell (C&NW)( # 8728 ) ( Railway Express Agency )	GC-0100104	*30.00
2.) Diaphragm	FI-0000011	2.00
3.) Door runner ( UP ) ( yellow )	GC-0100105	2.00
3.) Door runner ( C&NW ) ( yellow )	GC-0100106	2.00
4.) Door ( UP ) ( right hand )	GC-0100107	4.00
4.) Door ( C&NW ) ( right hand )	GC-0100108	4.00
5.) Door ( UP ) ( left hand )	GC-0100109	4.00
5.) Door ( C&NW ) ( left hand )	GC-0100110	4.00
6.) Handrail (nickel)(car side)(14.0mm long)	GC-0100014	1.00
7.) Door handle (nickel)(10.0mm long)	GC-0100015	1.00
8.) Handrail (nickel)(car end)(8.0mm long)	GC-0100016	1.00
9.) Brake wheel ( UP )( gray )	GC-0100111	1.00
9.) Brake wheel ( C&NW ) ( green )	GC-0100112	1.00
10.) Handrail (left)(nickel)(car end)	GC-0120001	2.00
11.) Handrail (right)(nickel)(car end)	GC-0110001	2.00
12.) Bulb (18v)(grain of wheat)(small bare wires)(large globe)	CG-0000005	1.00
13.) Bulb base	CH-0000006	0.50
14.) Socket	CH-0000007	1.00
15.) Screw	IA-0000021	0.15
16.) Screw	IA-0000003	0.15
17.) Contact board	BH-0000010	2.00
18.) T-bar	IG-0000001	0.50
19.) Coupler	DD-0000003	3.00
20.) Coupler armature	DD-0000002	1.00
21.) Spring	IE-0000007	0.50
22.) Washer	ID-0000026	0.15
23.) E-clip	IF-0000002	0.15
24.) Screw	IA-0000003	0.15
25.) Truck ( 3 axle )( black )	DA-0100001	25.00
25.) Truck ( 3 axle )( silver )	DA-0100011	25.00
26.) Screw	IA-0000025	0.15
27.) Pick-up	BD-0000040	5.00
28.) Screw	IA-0000015	0.15
29.) Insulator ( pick-up )( bottom )( flat, square )	BD-0000041	2.00
30.) Undercarriage detail ( black )	GC-0100020	*10.00
30.) Undercarriage detail ( silver )	GC-0100102	*10.00
31.) Nut	IC-0000008	0.50
32.) Insulator ( pick-up )( top )( square )	BD-0000014	2.00
33.) Screw	IA-0000015	0.15
34.) Screw	IA-0000003	0.15
35.) Floor	GB-0100001	*10.00
36.) Bulb guide	CH-0000008	10.00
37.) Screw	IA-0000025	0.15
38.) Contact springs	IE-0000015	0.50

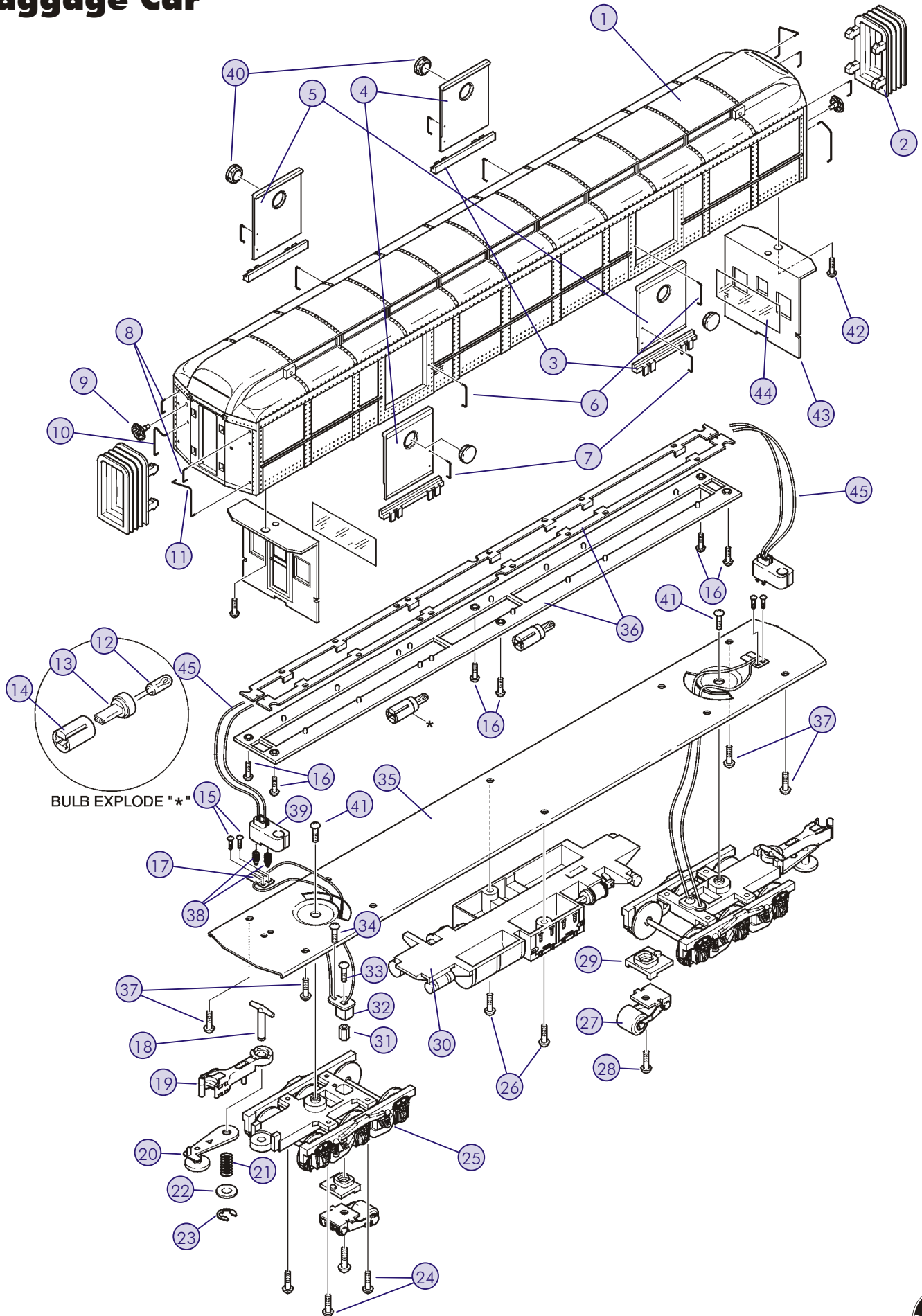
Name and Number	Part #	\$Price Per Unit
39.) Contact spring base	BH-0000001	2.00
40.) Portal lens	GC-0100022	2.00
41.) Screw	IA-0000039	0.15
42.) Screw	IA-0000067	0.15
43.) Interior detail ( baggage )	GC-0100023	*5.00
44.) Interior detail window lens	FA-0100001	1.00
45.) Wire harness ( bulb guide )	BC-0000006	2.00

\*Requires Exchange  
All parts are priced as each



# Madison Passenger Cars

## Baggage Car



# Madison Passenger Cars

## Coach Car

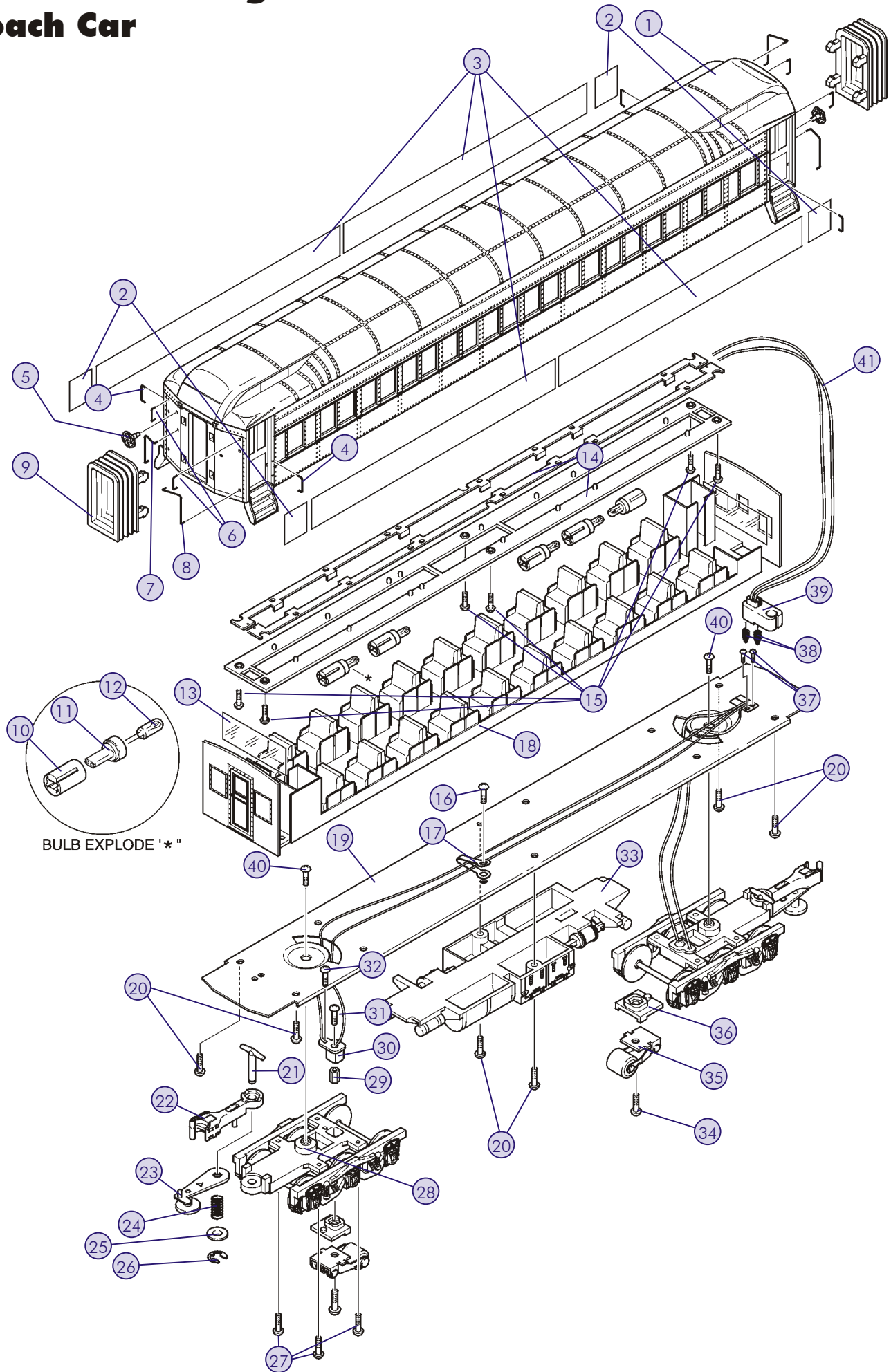
Name and Number	Part #	\$Price Per Unit
1.) Shell ( UP )( # 410 )	GC-0100113	*30.00
1.) Shell ( UP )( # 413 )	GC-0100114	*30.00
1.) Shell ( UP )( # 412 )	GC-0100115	*30.00
1.) Shell ( C&NW )( # 3410 )	GC-0100116	*30.00
1.) Shell ( C&NW )( # 3411 )	GC-0100117	*30.00
1.) Shell ( C&NW )( # 3415 )	GC-0100118	*30.00
2.) Side door window lens	FA-0100002	1.00
3.) Side window lens	FA-0100003	2.00
4.) Handrail (nickel)(car side)(14.0mm long)	GC-0100014	1.00
5.) Brake wheel (UP)( gray )	GC-0100111	1.00
5.) Brake wheel (C&NW)(green)	GC-0100112	1.00
6.) Handrail (nickel)(car end)(8.0mm long)	GC-0100013	1.00
7.) Handrail (left)(nickel)(car end)	GC-0120001	2.00
8.) Handrail (right)(nickel)(car end)	GC-0110001	2.00
9.) Diaphragm	FI-0000011	2.00
10.) Socket (bulb)(for part #CH-0000006)	CH-0000007	1.00
11.) Bulb base (for part #CH-0000005)	CH-0000006	0.50
12.) Bulb (18v)(grain of wheat)(small bare wires)(large globe)	CG-0000005	1.00
13.) Interior detail window lens	FA-0100001	1.00
14.) Bulb guide	CH-0000008	10.00
15.) Screw	IA-0000003	0.15
16.) Screw	IA-0000021	0.15
17.) Wire strap (metal)	IH-0000012	0.50
18.) Interior detail	GC-0100036	*15.00
19.) Floor	GB-0100002	*10.00
20.) Screw	IA-0000025	0.15
21.) T-bar	IG-0000001	0.50
22.) Coupler	DD-0000003	3.00
23.) Coupler Armature	DD-0000002	1.00
24.) Spring	IE-0000007	0.50
25.) Washer	ID-0000026	0.15
26.) E-clip	IF-0000002	0.15
27.) Screw	IA-0000003	0.15
28.) Truck (3 axle)(silver)	DA-0100011	*25.00
28.) Truck (3 axle)(black)	DA-0100001	25.00
29.) Nut	IC-0000008	0.50
30.) Insulator (pick-up)(top)(square)	BD-0000014	2.00
31.) Screw	IA-0000015	0.15
32.) Screw	IA-0000003	0.15
33.) Undercarriage detail ( silver )	GC-0100102	*10.00
33.) Undercarriage detail (black)	GC-0100020	*10.00
34.) Screw	IA-0000015	0.15
35.) Pick-up	BD-0000040	5.00
36.) Insulator (pick-up)(bottom)(flat, square)	BD-0000041	2.00
37.) Screw	IA-0000021	0.15
38.) Contact springs	IE-0000015	0.50
39.) Contact spring base	BH-0000001	2.00
40.) Screw	IA-0000039	0.15
41.) Wire harness (interior bulb guide)	BC-0000006	2.00

\*Requires Exchange  
All parts are priced as each



# Madison Passenger Cars

## Coach Car



# Madison Passenger Cars

## Observation Car

Name and Number	Part #	\$Price Per Unit	Name and Number	Part #	\$Price Per Unit
1.) Shell ( UP )( #202 )	GC-0100119	*30.00	43.) Screw	IA-0000015	0.15
1.) Shell ( C&NW ) ( Portland Club )	GC-0100120	*30.00	44.) Screw	IA-0000003	0.15
2.) Side window lens	FA-0100003	2.00	45.) Undercarriage detail ( silver )	GC-0100102	*10.00
3.) Side door window lens	FA-0100002	1.00	45.) Undercarriage detail (black)	GC-0100020	*10.00
4.) Handrail (nickel)(carside)(14.0mm long)	GC-0100014	1.00	46.) T-bar	IG-0000001	0.50
5.) Handrail (right)(nickel)(car end)	GC-0110001	2.00	47.) Wire strap (metal)	IH-0000012	0.50
6.) Handrail (left)(nickel)(car end)	GC-0120001	2.00	48.) Screw	IA-0000021	0.15
7.) Brake wheel(UP)(gray)	GC-0100111	1.00			
7.) Brake wheel (C&NW)(green)	GC-0100112	1.00			
8.) Handrail (nickel)(car end)(8.0mm long)	GC-0100016	1.00			
9.) Diaphragm	FI-0000011	2.00			
10.) Marker light housing	GC-0100041	*8.00			
11.) End car detail ( UP )( gray )	GC-0100121	*5.00			
11.) End car detail ( C&NW )( green )	GC-0100122	*5.00			
12.) Screw	IA-0000031	0.15			
13.) Porch ( UP )( gray )	GC-0100123	*10.00			
13.) Porch ( C&NW )( green )	GC-0100124	*10.00			
14.) Drumhead ( UP )	GC-0100125	*5.00			
14.) Drumhead ( C&NW )( green )	GC-0100126	*5.00			
15.) Interior detail lens	FA-01000001	1.00			
16.) Bulb guide	CH-0000008	10.00			
17.) Light bulb (grain of wheat)(1.5v)(2 bulbs/1 plug)	CG-0000006	3.00			
18.) Light bulb (grain of wheat)(1.5v)(1 bulb/1 plug)	CG-0000007	2.00			
19.) Socket (bulb)(for part #CH-0000006)	CH-0000007	1.00			
20.) Bulb base (for part #CH-0000005)	CH-0000006	0.50			
21.) Bulb (18v)(grain of wheat)(small bare wires)(large globe)	CG-0000005	1.00			
22.) CV board	AG-0100010	15.00			
23.) Screw	IA-0000068	0.15			
24.) Interior detail	GC-0100050	*15.00			
25.) Screw	IA-0000039	0.15			
26.) Contact spring base	BH-0000001	2.00			
27.) Screw	IA-0000021	0.15			
28.) Contact springs	IE-0000015	0.50			
29.) Contact board	BH-0000010	2.00			
30.) Screw	IA-0000025	0.15			
31.) Coupler	DD-0000003	3.00			
32.) Coupler armature	DD-0000002	1.00			
33.) Spring	IE-0000007	0.50			
34.) Washer	ID-0000026	0.15			
35.) E-clip	IF-0000002	0.15			
36.) Screw	IA-0000003	0.15			
37.) Screw	IA-0000015	0.15			
38.) Pick-up	BD-0000040	5.00			
39.) Insulator (pick-up)(bottom)(flat, square)	BD-0000041	2.00			
40.) Truck (3 axle)(silver)	DA-0100011	25.00			
40.) Truck (3 axle)(black)	DA-0100001	25.00			
42.) Insulator (pick-up)(top)(flat, square)	BD-0000014	2.00			

\*Requires Exchange  
All parts are priced as each



# Madison Passenger Cars

## Observation Car

