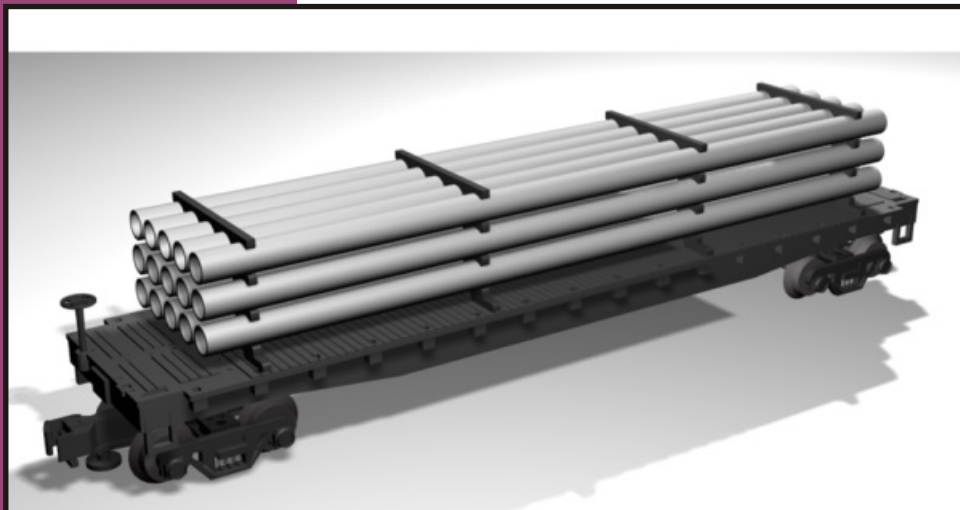




# Flat Car

## w/Pipe Load

20-90007



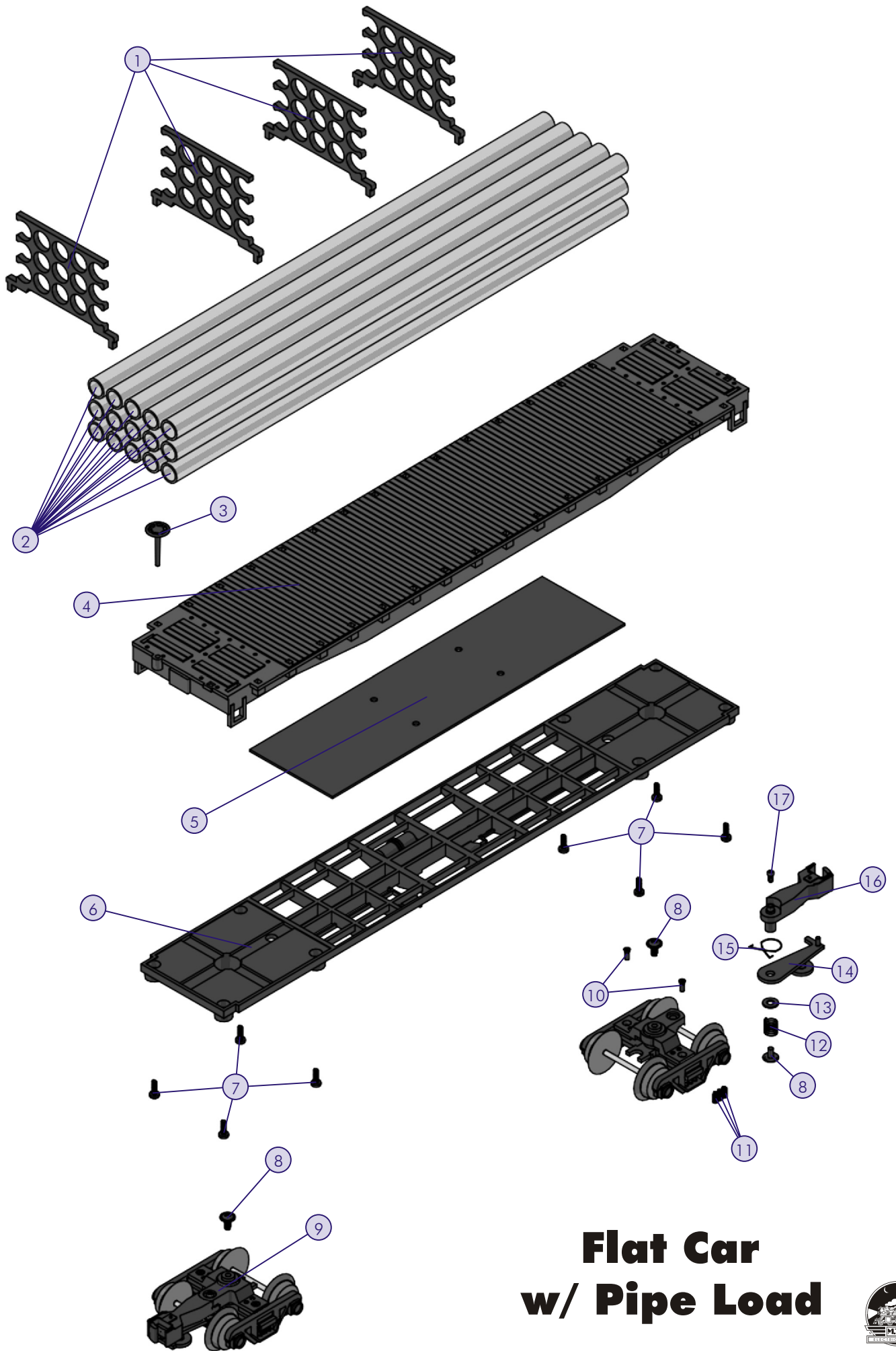
# Flat Car w/ Pipe Load

## Car Parts

Name and Number	Part #	\$Price Per Unit
1.) Pipe support ( black )	HE-6100005	3.00
2.) Pipe ( silver/gray ) ( 10.0X290.0mm long )	HE-6100006	2.00
3.) Brake wheel ( black )	HE-6100001	2.00
4.) Shell ( black )( # 34188 ) ( Spokane, Portland & Seattle )	HE-6100007	*15.00
5.) Weight ( black ) ( 52.2X189.0X1.2mm )	HE-6100003	4.00
6.) Chassis/undercarriage detail ( black )	HE-6100004	*12.00
7.) Screw ( M3X6.0mm ) ( roundhead )( plastic cutting threads )	IA-0000205	0.15
8.) Screw ( M3X5.0mm )( washer head )	IA-0000268	0.15
9.) Truck ( 2 axle ) ( black truck sides )( w/ truck side springs )	DA-0100006	6.00
10.) Screw ( M2.5X6.0mm )( flathead )	IA-0000178	0.15
11.) Spring ( truck side ) ( 2.5X5.0X0.2mm )	IE-0000033	0.25
12.) Spring ( 6.0X8.0mm )( w/ 0.4mm thick wire )	IE-0000035	0.50
13.) Insulator washer ( clear ) ( 5.0X10.0X0.3mm )	ID-0000065	0.15
14.) Armature	DD-0000014	1.00
15.) Spring ( centering )	IE-0000036	0.50
16.) Coupler	DD-0000015	3.00
17.) Screw ( M2X4.0mm )( washer head )	IA-0000080	0.15

\*Requires Exchange  
All parts are priced as each





# Flat Car w/ Pipe Load

