



Empire State Express

20-3016-1



REV.013101

Empire State Express 4-6-4 Steam Engine

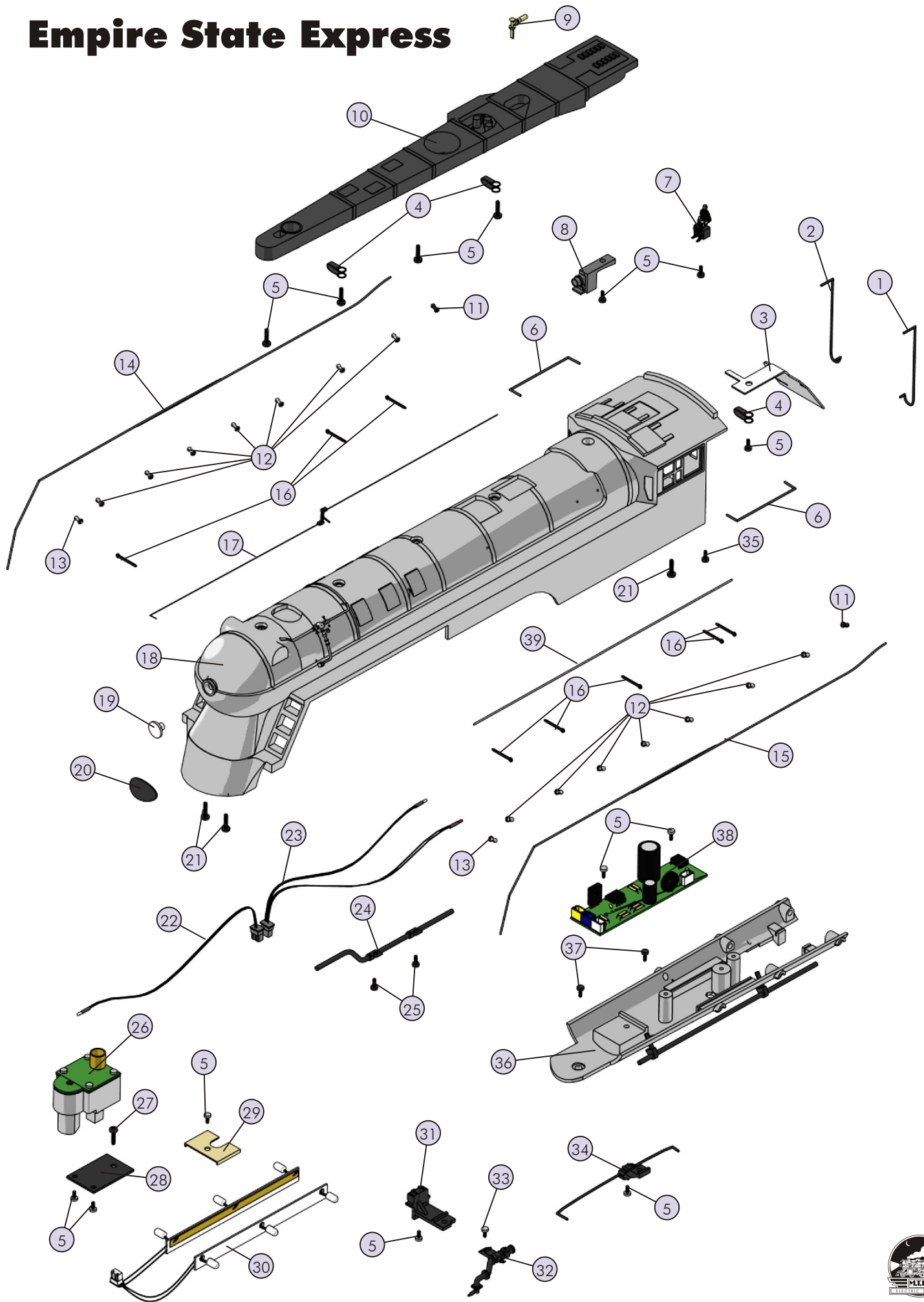
Boiler Parts

Name and Number	Part #	\$Price Per Unit	Name and Number	Part #	\$Price Per Unit
1.) Handrail (black) (44.0mm long)(left rear)	FB-1100119	2.00	36.) Boiler bottom section (black)	FB-1100138	*50.00
2.) Handrail (black) (44.0mm long)(right rear)	FB-1100120	2.00	37.) Screw (6/32x8.0mm)(roundhead)	IA-0000050	0.15
3.) Lens (clear & red) (for fire box glow)	FA-0000071	2.00	38.) CV board (2 white & 2 black sockets)	AG-0000042	30.00
4.) Wire strap (metal)(black)	IH-0000012	1.00	39.) Feed water pipe (silver)	FB-1100139	30.00
5.) Screw (4/40x6.0mm)(roundhead)	IA-0000003	0.15			
6.) Handrail (black) (33.0mm long)(top of cab)	FB-1100121	2.00			
7.) Engineer (white man) (w/ black seat)(old style)	FI-0000034	5.00			
8.) Water pump (black)	FB-1100122	8.00			
9.) Whistle (brass & black)	FB-1100123	3.00			
10.) Dome shroud (black)	FB-1100124	*20.00			
11.) Stanchion (black) (4.6mm long)	FB-1100125	2.00			
12.) Stanchion (silver) (5.1mm long)	FB-1100126	2.00			
13.) Stanchion (silver) (4.3mm long)	FB-1100127	2.00			
14.) Handrail (nickel)(right)	FB-1100128	4.00			
15.) Handrail (nickel)(left)	FB-1100129	4.00			
16.) Stanchion (silver)	FB-1100130	1.00			
17.) Throttle linkage (silver)	FB-1100131	10.00			
18.) Shell (silver & black)(boiler) (New York Central)(Empire State Express)(# 5429)	FB-1100132	*160.00			
19.) Lens (clear) (7.0x4.0x6.2mm)(headlight)	FA-1100010	2.00			
20.) Name plate (red) (New York Central System)	FB-1100133	5.00			
21.) Screw (6/32x10.0mm)(roundhead)	IA-0000040	0.15			
22.) Bulb (clear)(6v) (1 bulb)(240.0mm long wires)(white plug) (grain of wheat)(headlight)	CA-0000037	2.00			
23.) Bulbs (1 clear & 1 red) (6v)(2 bulbs)(285.0mm long wires) (grain of wheat)(cab interior & fire box glow)	CG-0000028	3.00			
24.) Feed water pipe (black)	FB-1100134	6.00			
25.) Screw (M2.4x5.0mm)(roundhead)	IA-0000202	0.15			
26.) Smoke unit (8.5x9.7mm brass cup)(8.2mm long posts) (Proto-Sound®)	AA-0000030	50.00			
27.) Screw (6/32x6.0mm)(roundhead)	IA-0000027	0.15			
28.) Bracket (black)(metal) (smoke unit)(20.0x27.4x1.2mm)(3 holes)	IH-0000159	2.00			
29.) Bracket (brass) (17.4x24.7mm)(metal)	IH-0000160	2.00			
30.) Bulbs (clear) (6v)(9.0x98.0mm boards)(white plug) (w/ contact boards)(running lights over drive wheels)	CD-0000008	6.00			
31.) Throttle control valve (black)	FB-1100135	8.00			
32.) Check valve (black)	FB-1100136	8.00			
33.) Screw (M2.5x5.0mm)(washer head)	IA-0000309	0.15			
34.) Power reverse valve (black)	FB-1100137	8.00			
35.) Screw (4/40x4.0mm)(roundhead)	IA-0000021	0.15			

*Requires Exchange
All parts are priced as each



Empire State Express



Empire State Express 4-6-4 Steam Engine

Drive Block Parts

Name and Number	Part #	\$Price Per Unit	Name and Number	Part #	\$Price Per Unit
1.) Bolt (black) (8/32x14.0mm)(w/ 5.0x6.0mm shoulder) (1.5x8.0mm slotted head)	IA-0000105	1.00	36.) Eccentric assembly (nickel) (right)(43.5mm long arm)	ED-1110009	5.00
2.) Draw bar (nickel) (63.2mm long)	FB-1100140	3.00	37.) Eccentric assembly (nickel) (left)(43.5mm long arm)	ED-1120009	5.00
3.) Spring (nickel) (6.5x11.0mm)(w/ 0.4mm thick wire)	IE-0000007	0.50	38.) Drive rod (nickel) (right)(106.4mm long end to end)(complete)	EC-1110006	10.00
4.) PCB (4 pin plug)(horizontal mount)	AG-0000043	8.00	39.) Drive rod (nickel) (left)(106.4mm long end to end)(complete)	EC-1120006	10.00
5.) Screw (6/32x6.0mm)(roundhead)	IA-0000027	0.15	40.) Sleeve (nickel) (outer)(6.7x10.0x3.2mm)	ID-0000093	1.00
6.) Screw (6/32x10.0mm)(roundhead)	IA-0000040	0.15	41.) Sleeve (nickel) (inner)(5.6x6.4x6.3mm)	ID-0000045	1.00
7.) Wire nut (yellow)	BI-4500003	0.25	42.) Side rod (nickel) (97.0mm long)	EC-1150004	4.00
8.) Motor (Pittman)(9434J434)	BE-0000030	50.00	43.) Drive block (black) (3 axle)(silver drivers w/ nickel rims)	DF-1100007	*75.00
9.) Motor mount (black) (metal)(for Pittman motors)	BI-0000049	10.00	44.) Pin (black) (5.0x16.0mm)(1 e-clip groove)	IG-0000008	0.50
10.) Screw (8/32x8.0mm)(roundhead)	IA-0000195	0.15	45.) Bracket (black) (lead truck)(7.8x47.0mm long)	IH-0000161	1.00
11.) Flywheel (black) (13.0x30.0mm)(w/ holder for drive shaft)	BE-0000070	5.00	46.) Bolt (black) (6/32x8.0mm)(4.7x1.3mm oversized shank) (1.5x7.0mm slotted head)	IA-0000244	1.00
12.) Set screw (black) (M3x12.0mm)(no screw head)	IA-0000150	0.15	47.) Screw (4/40x6.0mm)(roundhead)	IA-0000003	0.15
13.) Drive shaft (black) (34.7mm long)(dog bone)	EH-0000004	3.00	48.) Brake shoe assembly (black)(lead truck)	FB-1100142	6.00
14.) Worm gear (52.6mm long)	EH-0000010	10.00	49.) Spring (nickel) (7.0x13.0x12.0mm)(w/ 0.6mm thick wire)	IE-0000023	0.50
15.) Bearing (4.0x9.0x4.0mm)	DC-0000001	5.00	50.) Truck (black) (lead)(engine)(2 axle)	DA-1130009	25.00
16.) Switch (large)	BB-0000006	5.00	51.) E-clip (black) (3.5x9.0x0.6mm)	IF-0000009	0.15
17.) Screw (M2x4.0mm)(roundhead)	IA-0000058	0.15	52.) Bolt (black) (6/32x14.0mm)(5.0x6.0mm oversized shank) (1.8x12.0mm slotted head)	IA-0000240	0.15
18.) Traction tire	DE-0000031	0.75	53.) Brake shoe assembly (black)(right front)(25.8mm long)	FB-1100143	3.00
19.) Gasket (black) (19.2x36.0x1.6mm)(fiber)	BI-0000023	1.00	54.) Brake shoe assembly (black)(left front)(25.8mm long)	FB-1100144	3.00
20.) Gear box cover (black) (19.3x36.3x1.0mm)(metal)	BI-0000022	2.00	55.) Brake shoe assembly (black)(right middle)(25.8mm long)	FB-1100145	3.00
21.) Screw (4/40x8.0mm)(roundhead)	IA-0000011	0.15	56.) Brake shoe assembly (black)(left middle)(25.8mm long)	FB-1100146	3.00
22.) Screw (nickel) (6/32x6.0mm)(roundhead)	IA-0000051	0.15	57.) Brake shoe assembly (black)(right rear)(16.5mm long)	FB-1100147	3.00
23.) Drive rod guide (nickel) (left)(w/ nickel step)	EA-1120006	4.00	58.) Brake shoe assembly (black)(left rear)(16.5mm long)	FB-1100148	3.00
24.) Drive rod guide (nickel) (right)(w/ nickel step)	EA-1110005	4.00	59.) Water pipe (black) (under cab)(right rear)	FB-1100149	8.00
25.) Screw (6/32x8.0mm)(roundhead)	IA-0000050	0.15	60.) Dump pipe (black) (under cab)(left rear)	FB-1100150	4.00
26.) Steam chest (black)	EF-1130004	25.00	61.) Boiler feed pump (black) (w/ pipe)(under cab)(left rear)	FB-1100151	10.00
27.) Compressor (black)	FB-1100141	12.00	62.) Screw (4/40x4.0mm)(roundhead)	IA-0000021	0.15
28.) Screw (M2.5x4.0mm)(roundhead)	IA-0000023	0.15	63.) Pin (black) (5.0x21.0mm)(w/ 2 e-clip grooves)	IG-0000011	0.50
29.) Motion hanger plate (black)(left)	EA-1120007	3.00	64.) Spring (nickel) (7.5x13.0x14.0mm)(w/ 0.7mm thick wire)	IE-0000018	0.50
30.) Motion hanger plate (black)(right)	EA-1110006	3.00			
31.) Screw (M2x10.0mm)(roundhead)	IA-0000310	0.15			
32.) Screw (M2x8.0mm)(roundhead)	IA-0000086	0.15			
33.) Motion hanger (black)	EA-1100005	15.00			
34.) Bolt (nickel) (M2.5x7.0mm)(hex head)	IA-0000311	1.00			
35.) Bolt (nickel) (M2.5x13.0mm)(hex head)	IA-0000312	1.00			

*Requires Exchange
All parts are priced as each



Empire State Express 4-6-4 Steam Engine

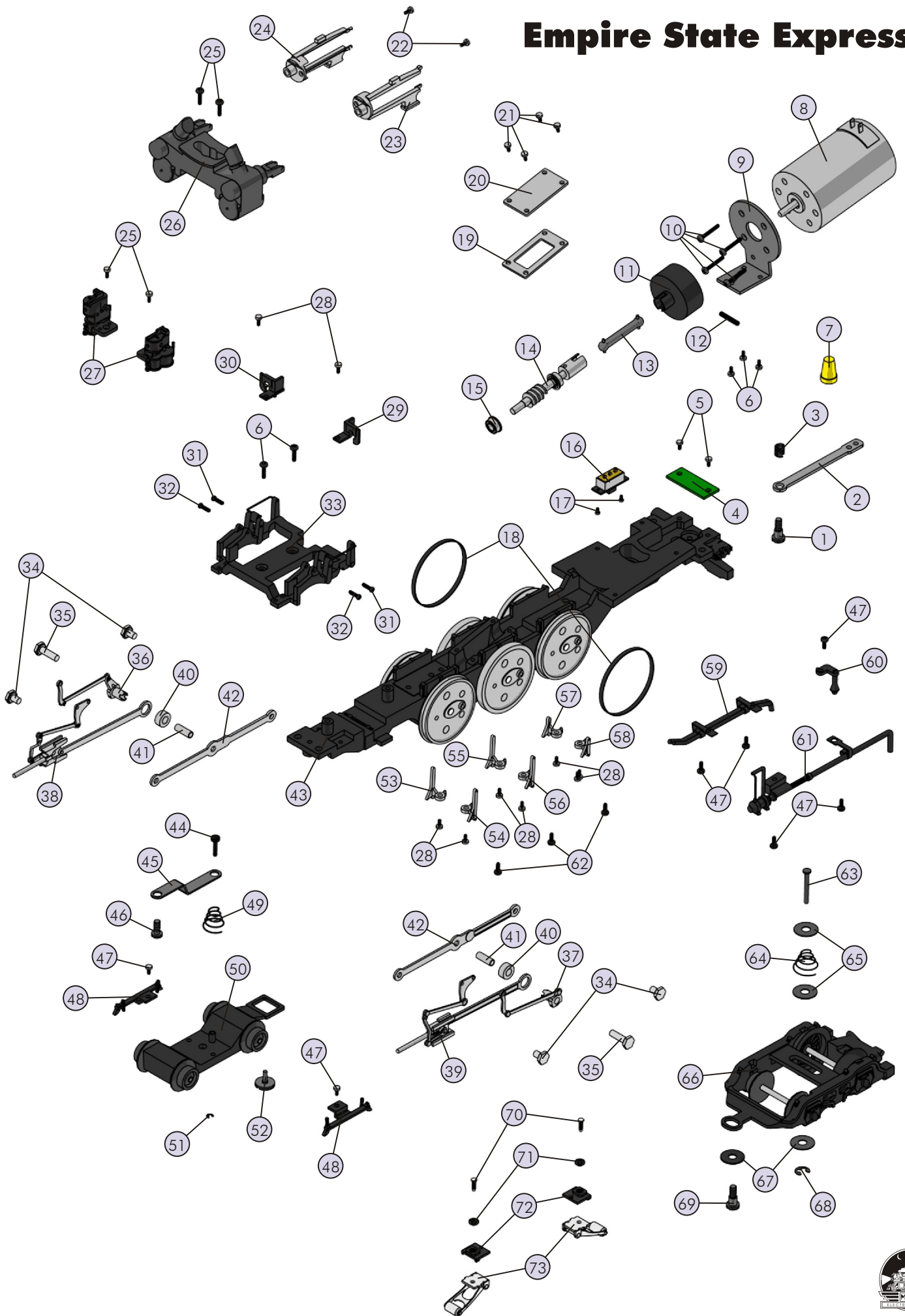
Drive Block Parts

Name and Number	Part #	\$Price Per Unit
65.) Washer (black) (5.0x15.0x0.5mm)	ID-0000013	0.15
66.) Truck (black) (trailing)(2 axle)(engine)	DA-1140008	30.00
67.) Washer (black) (5.0x12.0x0.6mm)	ID-0000053	0.15
68.) E-clip (black) (3.5x9.0x0.6mm)	IF-0000009	0.15
69.) Bolt (black) (6/32x14.0mm)(5.0x6.5mm oversized shank) (1.5x10.0mm slotted head)	IA-0000308	1.00
70.) Screw (nickel) (M2.5x16.0mm)(roundhead)	IA-0000159	0.15
71.) Insulator (black) (pick-up)(top)(round)	BD-0000046	2.00
72.) Insulator (black) (pick-up)(bottom)(14.0x17.7mm) (3.0mm hole in center)(2.8mm tab on each end)	BD-0000066	2.00
73.) Pick-up (8.0x11.0mm roller)(28.0mm long) (has hole w/ threads)	BD-0000067	5.00
NS.) Cab back (black)	FB-1100152	*12.00
NS.) Headlight housing (silver)	FB-1100153	6.00
NS.) Driver light housing (black)	FB-1100154	5.00

*Requires Exchange
All parts are priced as each



Empire State Express



Empire State Express 4-6-4 Tender

Tender Parts

Name and Number	Part #	\$Price Per Unit	Name and Number	Part #	\$Price Per Unit
1.) Handrail (black) (38.0mm long)	GA-1100035	1.00	35.) E-clip (black) (3.5x9.0x0.6mm)	IF-0000009	0.15
2.) Shell (black & silver) (tender)(New York Central)	GA-1100036	*80.00	36.) E-clip (black) (3.0x8.0x0.5mm)	IF-0000002	0.15
3.) Water hatch assembly insert (black)(# 5429)	GA-1100037	*20.00	37.) Washer (black) (4.5x10.0x1.0mm)	ID-0000090	0.15
4.) Ladder (black)	GA-1100038	5.00	38.) Spring (nickel) (6.5x11.0mm)(w/ 0.4mm thick wire)	IE-0000007	0.50
5.) Screw (6/32x8.0mm)(roundhead)	IA-0000050	0.15	39.) Spacer (black) (4.6x7.7x4.6mm)(plastic)	ID-0000094	0.15
6.) Wire strap (black) (metal)(small)	IH-0000012	1.00	40.) Proto-Coupler® (51.5mm long)	DD-0000001	10.00
7.) Screw (6/32x6.0mm)(roundhead)	IA-0000027	0.15	41.) T-bar (black) (4.0x20.0mm)	IG-0000001	0.50
8.) Lens (clear) (back-up light)(3.8x3.2x6.0mm)	FA-1140003	2.00			
9.) Volume pot (B10K) (w/ 170.0mm long wires)	BI-0000036	5.00			
10.) Bracket (black) (volume pot)(plastic)(u-shaped)	IH-0000023	2.00			
11.) Washer (black) (7.0x12.0x0.5mm)	ID-0000034	0.15			
12.) Screw (M3x8.0mm)(roundhead)(plastic cutting threads)	IA-0000204	0.15			
13.) Nut (nickel) (6.0x10.0x2.0mm)	IC-0000007	0.50			
14.) Bulb (clear)(1.5v)(1) (240.0mm long wires)(white plug)(back-up light)	CF-0000009	2.00			
15.) Speaker (Star, PR-504)(8 ohms)(0.2 watts)	BF-4500006	8.95			
16.) Battery leads (195.0mm long wires)(w/ 2 pin white plug)	BC-0000057	3.00			
17.) Battery	BG-4000001	9.95			
18.) Foam pad (black) (20.0x20.0x7.5mm)	II-0000012	0.50			
19.) Screw (4/40x6.0mm)(roundhead)	IA-0000003	0.15			
20.) Insulator washer (white) (6.0x4.0x2.5mm)(plastic)	ID-0000033	0.15			
21.) Insulator (clear) (13.0x19.0x0.1mm)(single hole)	ID-0000024	0.15			
22.) Bracket (Aluminum) (for mounting Proto-Sound® boards)	IH-0000162	5.00			
23.) Screw (4/40x10.0mm)(roundhead)	IA-0000279	0.15			
24.) Board (Proto-Sound®) (bottom)	AD-4500001	*60.00			
25.) Board (Proto-Sound®) (top)	AE-4500001	*100.00			
26.) Proto-Sound Chip®	N/A	19.95			
27.) Wire harness (black) (260.0mm long)(w/ extra 120.0mm long black wire) (red, white, yellow & black wires w/ plugs)(tender)	BC-0000069	8.00			
28.) Chassis (black)	GB-1100006	*15.00			
29.) Front steps (black)	GA-1100039	15.00			
30.) Screw (6/32x10.0mm)(flathead)	IA-0000176	0.15			
31.) Brake cylinder (black)	GA-1100040	10.00			
32.) Water scoop (black)	GA-1100041	10.00			
33.) Truck (black) (3 axle)(leading)(tender)(stamped truck frame)	DA-1130010	30.00			
34.) Truck (black) (3 axle)(trailing)(tender) (stamped truck frame w/ coupler mount)	DA-1140009	30.00			

*Requires Exchange
All parts are priced as each



Empire State Express

