

RAIL KING
By MTH Electric Trains

F-3 AA Diesel

Item Numbers: 30-2007-0, 30-2007-1,
30-2008-0, 30-2008-1



F-3 Diesel Engine A-Unit (Powered A Unit)

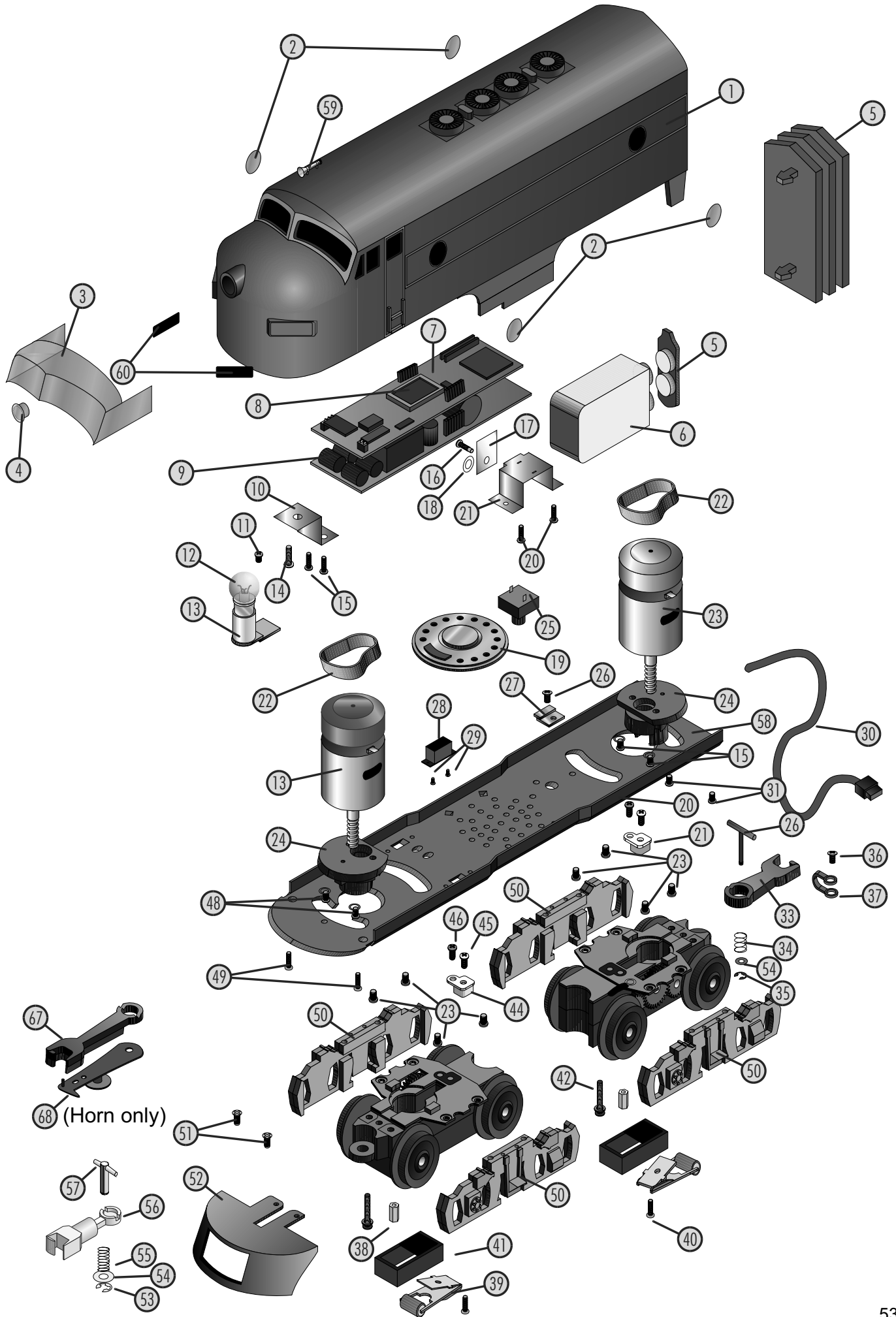
Powered Unit Parts

Name	Part #	\$Price Per Unit
1.) Shell (Santa Fe)	FC-2200021	*65.00
1.) Shell (PRR)	FC-2200022	*65.00
2.) Portal Lens	FA-2260001	2.00
3.) Windows	FA-2230008	5.00
4.) Headlight Lens	FA-2230009	2.00
5.) Battery Leads (14.5mm long wires)	BC-0000003	5.00
6.) Battery	BG-4000001	9.95
7.) Proto Sound Board (top)	AE-4500001	*100.00
8.) Proto Sound Chip	N/A	19.95
9.) Proto Sound Board (Bottom)	AD-4500001	*60.00
10.) ProtoSoundBracket(Front)	IH-4500018	2.00
11.) Screw (M2.5 x 3.0mm)(roundhead)	IA-0000022	.15
12.) Bulb (18v, small globe, bayonet base)	CG-0000002	.95
13.) Socket	CH-0000005	3.00
14.) Screw (4-40 x 16.0mm)(roundhead)	IA-0000047	.15
15.) Screw (4-40 x 6.0mm)(roundhead)	IA-0000003	.15
16.) Screw (M2.5 x 5.0mm)(roundhead)	IA-0000044	.15
17.) Insulator	ID-0000026	2.00
18.) Insulator	ID-0000033	.15
19.) Speaker (Unison. U4508BSR, 8 ",9w)	BF-4500013	8.95
20.) Screw (4-40 x 6.0mm)(roundhead)	IA-0000003	.15
21.) Bracket (Proto sound board/volume pot)	IH-4500019	3.00
22.) Rubber band	BI-4500004	.50
23.) Motor (RS-365SH)	BE-0000019	20.00
24.) Motor Mount	BI-0000005	15.00
25.) Volume Pot	BI-4500009	5.00
26.) Screw (M2.5 x 3.0mm)(roundhead)	IA-0000022	.15
27.) Bracket (speaker)	IH-0000002	1.00
28.) Switch (large)	BB-0000010	5.00
29.) Screw (M2 x 4.0mm)(panhead)	IA-0000007	.15
30.) Wire harness	BC-0000004	8.00
31.) Screw (M3 x 16.0mm)(washerhead)(self drilling)	IA-0000025	.15
32.) T-bar (4.0 x 20.0mm)	IG-0000001	.50
33.) Coupler (Non-operating)(34.5mm long)	DD-4000005	3.00
34.) Spring (5.5 x 14.0mm)	IE-0000017	.50
35.) E-clip (3.0 x 8.0 x .6mm)	IF-0000002	.15
36.) Screw (M3 x 6.0mm)(roundhead)	IA-0000016	.15
37.) Wire strap (metal)	IH-0000012	1.00
38.) Nut (2.5 x 5.0 x 10.0mm)	IC-0000005	.50

Name	Part #	\$Price Per Unit
39.) Pick-up (8.0mm roller)(29.0mm long)	BD-0000038	5.00
40.) Screw (M3 x 6.0mm)(chrome,roundhead)	IA-0000015	.15
41.) Insulator (Pick up, bottom, rect.)(18.0 x 30.0mm)	BD-0000039	2.00
42.) Screw (M3 x 12.0mm)(roundhead w/lock washer)	IA-0000020	.15
43.) Truck (2axle)	DA-2050004	*30.00
44.) Insulator (Pick up, top, square)	BD-0000035	1.00
45.) Screw (M3 x 6.0mm)(chrome, roundhead)	IA-0000015	.15
46.) Screw (4-40 x 6.0mm)(roundhead)	IA-0000003	.15
47.) Screw (M3 x 6.0mm)(roundhead)	IA-0000016	.15
48.) Screw (M2.5 x 6.0mm)(roundhead w/lock washer)(yellow zink)	IA-0000001	.15
49.) Screw (M3 x 14.0mm)(Flat head, self drilling)	IA-0000009	.15
50.) Truckside (silver)	DB-2050001	7.00
50.) Truckside (black)	DB-2050002	7.00
51.) Screw (M3 x 6.0mm)(roundhead)	IA-0000016	.15
52.) Pilot (silver)	DG-2230001	*15.00
52.) Pilot (tuscan red)	DG-2230003	*15.00
53.) E-clip (3.0 x 8.0 x .6mm)	IF-0000002	.15
54.) Washer (4.5 x 10.0 x 1.0mm)	ID-0000026	.15
55.) Spring (5.5 x 14.0)	IE-0000017	.50
56.) Proto coupler (44.0mm long)	DD-0000004	10.00
57.) T-bar (4.0 x 20.0mm)	IG-0000001	.50
58.) Chassis	DH-2200005	*15.00
59.) Horn	FC-2200010	3.00
60.) Number Board (#9505)	FG-2200003	.25
60.) Number Board (#16)	FG-2200004	.25

Horn Only Parts

7.) Board (horn)	AF-4500004	29.95
9.) Board (DCRU)	AC-0000001	39.95
NS) Screw (DCRU mounting screw)(4-40 x 2.0mm)(roundhead)	IA-0000048	.15
NS) Heat sink (3.0 x 20.0 x 5.0mm)	AI-4500007	2.00
NS) Bracket (DCRU)(35.0 x 22.0mm)	IH-0000035	1.00
NS) Screw (DCRU bracket mounting screws)(2.5 x 3.0mm)(roundhead)	IA-0000022	.15
28.) Switch (small)	BB-0000009	5.00
29.) Screw (M2 x 4.0mm)	IA-0000007	.15
67.) Coupler (Mechanical)(44.0mm long)	DD-0000003	3.00



F-3 Diesel Engine A-Unit (Non-Powered Unit)

