

RAILKING[®]
By M.T.H. Electric Trains

30-4049-1

Blue Comet

4-6-2



GL081501

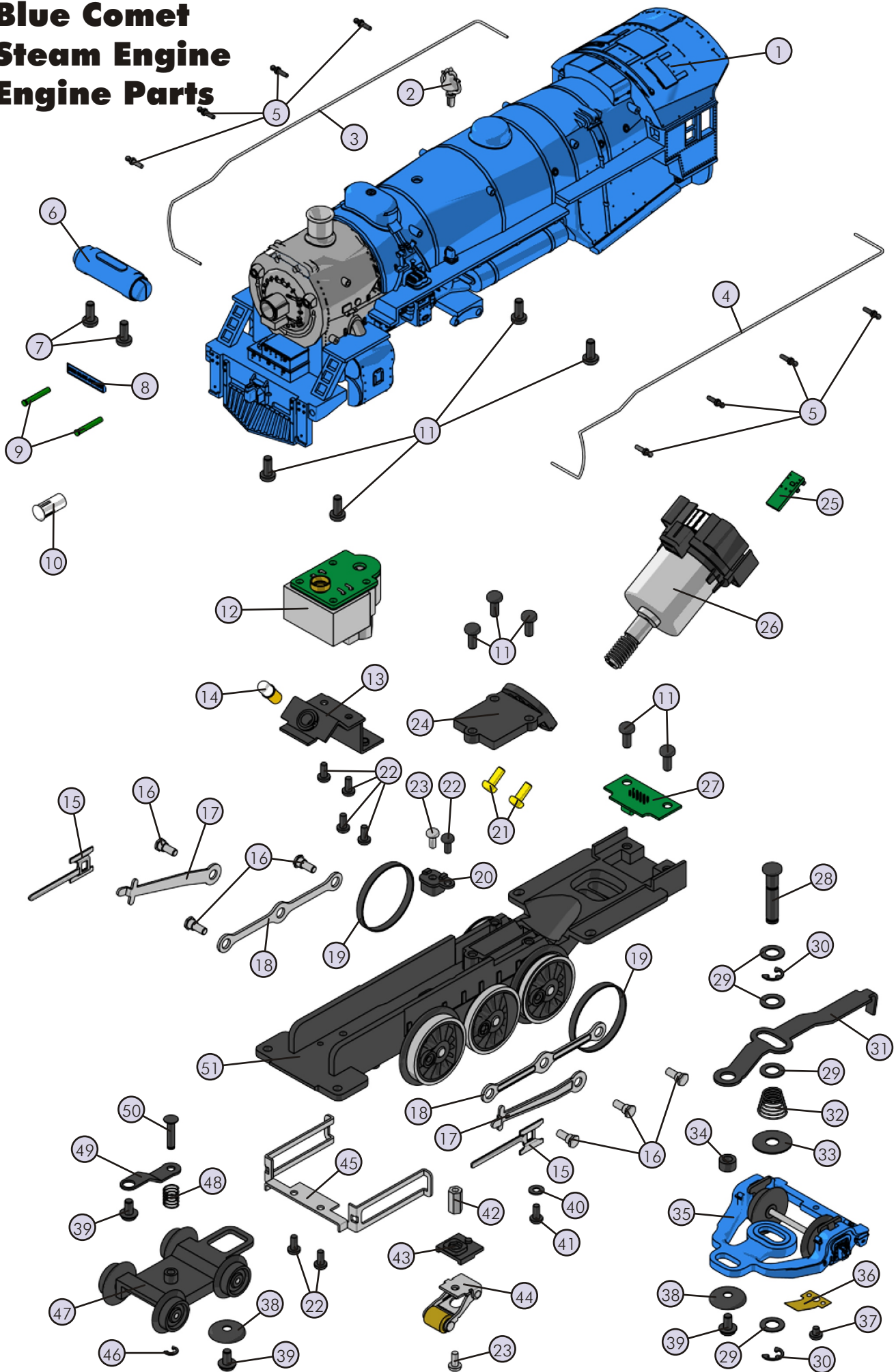
Blue Comet Steam Engine

Engine Parts

Name and Number	Part #	\$Price Per Unit	Name and Number	Part #	\$Price Per Unit
1.) Shell (blue, dark blue, graphite) (boiler)(metal)(The Blue Comet)(# 831)	FB-1200260	*100.00	35.) Truck (blue) (1 axle)(trailing)(boiler)	DA-1240041	25.00
2.) Bell (nickel)	FB-1200101	6.00	36.) Ground strap (copper)	II-4500002	1.00
3.) Handrail (nickel)(right)(boiler)	FB-1210049	3.00	37.) Screw (4/40x4.0mm)(roundhead)	IA-0000021	0.15
4.) Handrail (nickel)(left)(boiler)	FB-1220056	3.00	38.) Spacer (black) (3.5x15.0x2.5mm)(metal)(cupped)	ID-0000014	0.50
5.) Stanchion (black) (plastic)(4.0mm long)	FB-1200215	0.50	39.) Screw (6/32x6.0mm)(washer head)	IA-0000214	0.15
6.) Feed water heater (blue) (The Blue Comet)(# 831)	FB-1200261	12.00	40.) Washer (black) (3.0x6.0x0.4mm)(fiber)	ID-0000040	0.15
7.) Screw (M2.5x8.0mm)(roundhead)	IA-0000184	0.15	41.) Screw (6/32x4.0mm)(roundhead)	IA-0000060	0.15
8.) Name plate (blue, gold) (The Blue Comet)	FB-1200262	3.00	42.) Nut (nickel)(2.5x5.0x10.0mm)	IC-0000005	0.50
9.) Lens (green) (2.2x8.0mm)(1.0x2.8mm lens head)(marker lens)	FA-0000093	2.00	43.) Insulator (black) (pick-up)(bottom)(plastic)	BD-0000001	2.00
10.) Lens (clear)(headlight) (3.9x6.0x13.0mm)(7.0x2.1mm)(4 ribs for press fit)	FA-1230022	2.00	44.) Pick-up (8.0x11.0mm roller)(24.0mm long)	BD-0000013	5.00
11.) Screw (6/32x8.0mm)(roundhead)	IA-0000050	0.15	45.) Crosshead guide assembly (nickel)	EA-1200018	6.00
12.) Smoke unit (7.0x8.0x2.0x3.7mm brass cup)(7.5mm long posts) (Proto-Sound® 2.0 & Loco-Sound™)	AA-0000029	50.00	46.) E-clip (2.5x6.0x0.5mm)	IF-0000004	0.15
13.) Bracket (black) (headlight/smoke unit)(metal)(angled)	IH-0000262	3.00	47.) Truck (blue) (lead)(2 axle)(boiler)(34.8mm wheelbase)	DA-1230032	20.00
14.) Bulb (clear)(headlight) (6v)(small globe)(screw base)	CA-0000038	1.00	48.) Spring (nickel) (6.5x9.0mm)(0.5mm thick wire)	IE-0000009	0.50
15.) Crosshead (nickel)(38.8mm long)	EC-1250016	5.00	49.) Bracket (black) (lead truck)(7.0x31.5mm)(5.5mm step)	IH-1230010	1.00
16.) Bolt (nickel) (M3x8.0mm)(hex head)	IA-0000087	1.00	50.) Pin (black) (3.0x15.0mm)(1.0x6.0mm rounded head) (1 e-clip groove 0.5mm out from end)	IG-0000003	0.50
17.) Drive rod (nickel) (57.4mm long w/ bend in rod)	EC-1250030	3.00	51.) Drive block (blue)(3 axle)	DF-1200039	*75.00
18.) Side rod (nickel) (70.0mm long)(3 bolt holes)	EC-1250031	3.00	NS.) Wire harness (PC board w/ 2 resistors)	BC-1200112	20.00
19.) Traction tire (black)(rubber)	DE-0000023	0.75	NS.) Wire harness (red male 2 pin plug)(80.0mm long wires)	BC-1200113	3.00
20.) Insulator (black) (top)(square)(pick-up)	BD-0000026	2.00	NS.) Wire harness (green male 2 pin plug)(75.0mm long wires)	BC-1200114	3.00
21.) Screw (yellow Zinc) (M2.5x6.0mm)(roundhead w/lock washer)	IA-0000089	0.15	NS.) Wire harness (black male 2 pin plug)(125.0mm long wires)	BC-1200115	3.00
22.) Screw (4/40x6.0mm)(roundhead)	IA-0000003	0.15			
23.) Screw (nickel) (M3x6.0mm)(roundhead)	IA-0000015	0.15			
24.) Motor mount (black)	BI-0000034	15.00			
25.) Tach board (w/ 1.5mm spacer between board & optical sensor)	AG-0000047	6.00			
26.) Motor (RS-365SH) (8.0x21.0mm worm gear)(12.5mm long threads) (9.0x27.0mm white flywheel w/ black stripes) (tach board & wire mounting strap)	BE-0000096	25.00			
27.) PC board (10 pin female plug) (20.5x24.2mm)(w/ 2-IN4004 diodes)	AG-0000044	8.00			
28.) Pin (5.0x25.3mm) (1.5x8.0mm flathead)(2 e-clip grooves)	IG-0000033	0.50			
29.) Washer (5.0x12.0x0.8mm)(metal)	ID-0000012	0.15			
30.) E-clip (3.5x9.0x0.6mm)	IF-0000009	0.15			
31.) Draw bar (black) (89.3mm long)(5.0mm step & 6.5mm step)	FB-1200263	3.00			
32.) Spring (nickel) (6.5x12.0x12.0mm)(0.6mm thick wire)	IE-0000008	0.50			
33.) Washer (5.0x15.0x0.5mm)	ID-0000013	0.15			
34.) Spacer (black) (5.7x8.8x5.0mm)(plastic)	ID-0000104	0.25			

*Requires Exchange
All parts are priced as each

Blue Comet Steam Engine Engine Parts



Blue Comet Steam Engine

Tender Parts

Name and Number	Part #	\$Price Per Unit	Name and Number	Part #	\$Price Per Unit
1.) Shell (blue, gold, black) (tender)(New Jersey Central)(plastic)	GA-1200104	*40.00	36.) Screw (6/32x6.0mm)(washer head)	IA-0000214	0.15
2.) Screw (M3x6.0mm)(roundhead)	IA-0000016	0.15	37.) Nut (nickel)(2.5x5.0x7.0mm)	IC-0000008	0.50
3.) Speaker cone (black) (44.0x48.3x23.0mm)(2 screw hole tabs)(plastic)	BF-0000016	5.00	38.) Insulator (black) (pick-up)(bottom)(plastic)	BD-0000001	2.00
4.) Speaker (STAR)(PR-050-A111)(16 ohms)(MAX 2W)	BF-0000007	8.95	39.) Pick-up (8.0x11.0mm roller)(24.0mm long)	BD-0000013	5.00
5.) Gasket (black) (speaker ring)(43.8x49.8x3.0mm)(foam)	IB-0000009	0.50	40.) Screw (4/40x4.0mm)(roundhead)	IA-0000021	0.15
6.) Wire harness (black male 10 pin plug)	BC-1200116	15.00	41.) Draw bar (black) (12.1x67.3mm)(2 mounting holes)(2 coupling holes)	GA-1200105	3.00
7.) Wire nut (yellow)	BI-4500003	0.25	NS.) Wire harness (black male 2 pin plug)(90.0mm long wires)	BC-0000109	3.00
8.) Battery charger jack (black)	BG-0000001	3.00			
9.) Spacer (black) (3.0x6.0x4.0mm)(plastic)	ID-0000071	0.15			
10.) Volume pot (small)(blue)	BI-0000040	5.00			
11.) Screw (M3x8.0mm)(roundhead)	IA-0000035	0.15			
12.) Screw (M2x4.0mm)(roundhead)	IA-0000058	0.15			
13.) Switch (small)(SPDT)	BB-0000009	5.00			
14.) Bracket (black) (battery)(plastic)(vertical mount)	IH-0000263	3.00			
15.) Screw (4/40x6.0mm)(flathead)	IA-0000038	0.15			
16.) Battery	BG-4000001	10.00			
17.) Battery leads (125.0mm long wires w/ black small male 2 pin plug) (60.0mm long wires w/ battery charger jack)	BC-0000108	6.00			
18.) Boards (Proto-Sound® 2.0)	AE-0000001	*200.00			
19.) Screw (M3x4.0mm)(roundhead)	IA-0000010	0.15			
20.) Bracket (Aluminum) (14.0x27.0x30.8x15.0mm)(10.0mm step) (for Proto-Sound® 2.0 boards)	IH-0000264	3.00			
21.) Screw (6/32x12.0mm)(roundhead)	IA-0000103	0.15			
22.) Chassis (black)(tender) (has holes for battery charger jack)	GB-1200050	*15.00			
23.) Insulator washer (white) (6.0x4.0x2.5mm)(plastic)	ID-0000033	0.15			
24.) Voltage regulator (LM2937ET)	AG-0000032	3.00			
25.) Insulator (clear) (13.0x19.0x0.1mm)(single hole)	ID-0000024	0.15			
26.) Screw (M3x16.0mm)(washer head)(self-drilling threads)	IA-0000025	0.15			
27.) Screw (nickel) (M3x6.0mm)(roundhead)	IA-0000015	0.15			
28.) Screw (4/40x6.0mm)(roundhead)	IA-0000003	0.15			
29.) Insulator (black) (top)(square)(pick-up)	BD-0000026	2.00			
30.) T-bar (black) (4.0x20.0mm)(plastic)	IG-0000001	0.50			
31.) Coupler (black) (51.0mm long)(Proto Sound® 2.0)	DD-0000032	10.00			
32.) Spring (nickel) (6.5x14.0mm)(w/ 0.5mm thick wire)	IE-0000022	0.50			
33.) Washer (4.5x10.0x5.0mm)	ID-0000009	0.15			
34.) E-clip (3.0x8.0x0.5mm)	IF-0000001	0.15			
35.) Truck (blue) (2 axle)(leading/trailing)(tender)	DA-1250014	25.00			

*Requires Exchange
All parts are priced as each

Blue Comet Steam Engine Tender Parts

