



# Cab Forward

## 4-8-8-2

30-1144-1

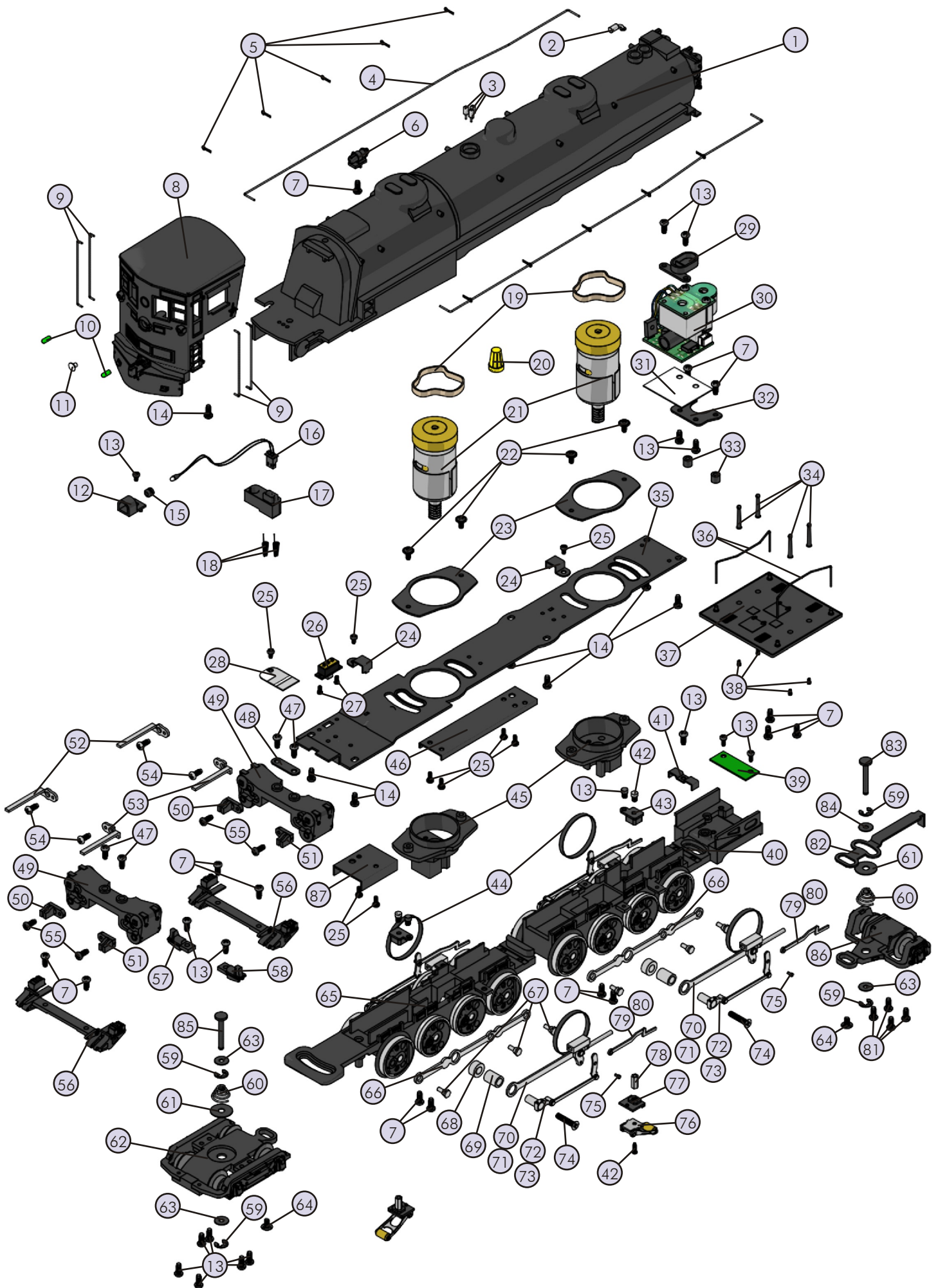


# Cab Forward 4-8-8-2

## Engine Parts

Name and Number	Part #	\$Price Per Unit	Name and Number	Part #	\$Price Per Unit
1.) Shell (boiler)(S.P)(# 4294)	FB-1200157	*175.00	49.) Steam chest ( black )	EF-1250002	15.00
2.) Whistle	FB-1200003	4.00	50.) Eccentric rod guide ( left )	ED-1220015	2.00
3.) Pop-off valve	FB-1200074	2.00	51.) Eccentric rod guide ( right )	ED-1210015	2.00
4.) Handrail ( nickel ) ( 288.0mm long )( boiler )( fits both sides )	FB-1200158	2.00	52.) Drive rod guide ( left )	EA-1220009	4.00
5.) Stanchion ( black )	FB-1200024	0.25	53.) Drive rod guide ( right )	EA-1210009	4.00
6.) Steam generator ( black )	FB-1200159	6.00	54.) Screw ( nickel ) ( 6/32X6.0mm )( roundhead )	IA-0000051	0.15
7.) Screw ( 4/40X10.0mm )( roundhead )	IA-0000279	0.15	55.) Screw ( 6/32X6.0mm )( roundhead )	IA-0000027	0.15
8.) Cab ( S.P.)(# 4294)	FB-1200160	*30.00	56.) Motion Hanger	EA-1200012	8.00
9.) Handrail ( nickel ) ( 49.7mm long )( cab )( fits both sides )	FB-1200161	1.00	57.) Boiler support stopper ( left )	FB-1220028	4.00
10.) Lens ( marker )( green )	FA-0000029	1.00	58.) Boiler support stopper (right)	FB-1210028	4.00
11.) Lens ( headlight )( clear )	FA-0000030	2.00	59.) E-clip ( 3.5X9.0X0.6mm )	IF-0000009	0.15
12.) Headlight housing ( black )	FB-1200162	3.00	60.) Spring ( 7.5X13.0X11.0mm )	IE-0000013	0.50
13.) Screw ( 4/40X6.0mm )( roundhead )	IA-0000003	0.15	61.) Washer ( 5.5X15.0X0.6mm )	ID-0000039	0.15
14.) Screw ( 6/32X8.0mm )( roundhead )	IA-0000050	0.15	62.) Truck ( 2 axle )	DA-1200010	20.00
15.) Grommet	IH-0000010	0.15	63.) Washer ( 5.5X10.0X0.5mm )	ID-0000075	0.15
16.) Bulb ( grain of wheat ) ( 90.0mm long wires )( 18V )	CA-0000023	2.00	64.) Screw ( 4/40X6.0mm )( washer head )	IA-0000028	0.15
17.) Contact spring base	BH-0000001	1.00	65.) Drive block ( 4 axle )( front )	DF-1230002	*60.00
18.) Contact spring	IE-0000015	0.50	66.) Side rod ( 102.5mm long ) ( fits both sides )	EC-1250021	3.00
19.) Rubber band	BI-4500004	0.50	67.) Bolt ( side rod ) ( M3X8.0mm )( w/ 2.0mm oversized shank )	IA-0000087	1.00
20.) Wire nut ( yellow )	BI-4500003	0.25	68.) Sleeve ( outer )	ID-1250006	1.00
21.) Motor ( RS-385PH ) ( 6.5X17.0mm wormgear w/ 11.0mm long threads )	BE-0000050	25.00	69.) Sleeve ( inner )	ID-1250005	1.00
22.) Screw ( M3X6.0mm )( washer head )	IA-0000215	0.15	70.) Drive rod ( right )	EC-1210020	4.00
23.) Motor plate	BI-1200001	3.00	71.) Drive rod ( left )	EC-1220020	4.00
24.) Wire strap ( metal )	IH-0000013	1.00	72.) Eccentric assembly ( right )	ED-1210023	5.00
25.) Screw ( 4/40X4.0mm )( roundhead )	IA-0000021	0.15	73.) Eccentric assembly ( left )	ED-1220023	5.00
26.) Switch ( small )	BB-0000009	5.00	74.) Screw ( nickel ) ( M3X16.0mm )( flathead )	IA-0000052	0.15
27.) Screw ( M2X4.0mm )( roundhead )	IA-0000058	0.15	75.) Screw ( M2X9.0mm ) ( roundhead w/ 6.0mm long oversized shank )	IA-0000280	0.15
28.) Contact spring board	BH-0000034	2.00	76.) Pick-up	BD-0000048	5.00
29.) Smoke stack	AA-0000016	3.00	77.) Insulator (pick-up)(bottom)	BD-0000001	2.00
30.) Smoke unit	AA-0000017	50.00	78.) Nut ( 2.5X5.0X10.0mm )	IC-0000005	0.50
31.) Insulator ( clear ) ( 28.0X34.0X0.5mm )	BD-0000051	1.00	79.) Eccentric rod ( right )	ED-1210024	2.00
32.) Bracket ( smoke unit )	IH-0000120	2.00	80.) Eccentric rod ( left )	ED-1220024	2.00
33.) Spacer ( black )( metal ) ( 3.0X6.0X6.0 )	ID-0000074	1.00	81.) Screw ( 4/40X8.0mm )( roundhead )	IA-0000011	0.15
34.) Stanchion ( post )( black )	FB-1200163	2.00	82.) Draw bar	FB-1200166	3.00
35.) Chassis ( black )	DF-1200025	*15.00	83.) Pin ( 17.3mm long )	IG-0000009	0.50
36.) Handrail ( deck )( black )	FB-1200164	1.00	84.) Spacer ( 6.0X10.0X2.2mm )	ID-0000076	0.25
37.) Deck ( black )	FB-1200165	*15.00	85.) Pin ( 21.0mm long )	IG-0000011	0.50
38.) Screw ( M2X3.0mm )( washer head )	IA-0000118	0.15	86.) Truck ( 2 axle )( black )	DA-1200011	15.00
39.) PCB board	BB-0000019	8.00	87.) Bracket ( black )	IH-0000124	2.00
40.) Drive block ( 4 axle )( rear )	DF-1240002	*60.00			
41.) Wire strap ( metal )	IH-0000121	1.00			
42.) Screw ( nickel ) ( M3X6.0mm )( roundhead )	IA-0000015	0.15			
43.) Insulator ( pick-up )( top )	BD-0000047	2.00			
44.) Traction tire	DE-0000027	0.75			
45.) Motor mount	BI-1200002	15.00			
46.) Bracket ( support plate )	IH-0000122	3.00			
47.) Screw ( 6/32X12.0mm )( roundhead )	IA-0000103	0.15			
48.) Bracket	IH-0000123	1.00			

\*Requires Exchange



# Cab Forward Steam Engine Tender

## Tender Parts

Name and Number	Part #	\$Price Per Unit
1.) Shell ( Southern Pacific )	GA-1200058	*85.00
2.) Handrail (41.5mm long )	GA-1200059	1.00
3.) Handrail (47.5mm long )	GA-1200060	1.00
4.) Bracket ( battery )	IH-0000042	3.00
5.) Screw ( 4/40X4.0mm )( roundhead )	IA-0000021	0.15
6.) Battery leads ( 145.0mm long )	BC-0000003	5.00
7.) Clip ( Proto-Sound® board )( top )	IF-0000006	1.00
8.) Clip ( Proto-Sound® board )( bottom )	IF-0000007	1.00
9.) Board ( Proto-Sound® )( top )	AE-4500001	*100.00
10.) Proto-Sound Chip®	N/A	19.95
11.) Board ( Proto-Sound® )( bottom )	AD-4500001	*60.00
12.) Screw ( M3X8.0mm )( roundhead )( self-drilling )	IA-0000072	0.15
13.) Nut ( 6.0X10.0X2.0mm )	IC-0000007	0.50
14.) Washer ( 7.0X12.0X0.5mm )	ID-0000034	0.15
15.) Bracket ( volume pot )	IH-0000023	2.00
16.) Volume pot ( BK10 SW ) ( 120.0mm long wires )	BI-0000042	5.00
17.) Bracket ( speaker )	IH-0000044	1.00
18.) Speaker ( STAR PR-05004-08 )	BF-4500008	8.95
19.) Bracket ( Proto-Sound® board )	IH-0000072	2.00
20.) Insulator	ID-0000024	0.15
21.) Insulator washer	ID-0000025	0.15
22.) Screw ( 4/40X6.0mm )( roundhead )	IA-0000003	0.15
23.) Heat sink ( 3.0X20.0X10.0mm )	AI-0000017	2.00
24.) Battery	BG-4000001	9.95
25.) Screw ( 4/40X30.0mm )( roundhead )	IA-0000191	0.15
26.) Chassis	GB-1200033	*15.00
27.) Wire harness ( tender ) ( 125.0mm long )	BC-0000042	8.00
28.) Draw bar ( 67.6mm long )	GA-1200061	3.00
29.) Screw ( 4/40X6.0mm )( washer head )	IA-0000028	0.15
30.) Screw ( 6/32X8.0mm )( roundhead )	IA-0000050	0.15
31.) Screw ( 6/32X6.0mm )( washer head )	IA-0000214	0.15
32.) Truck ( 3 axle ) ( truck has hole tapped out for draw bar screw )	DA-1200012	30.00
33.) Truck ( 3 axle ) ( truck has hole for draw bar screw that is <b>not tapped</b> )	DA-1200013	30.00
34.) E-clip ( 3.0X8.0X0.5mm )	IF-0000002	0.15
35.) Washer ( 4.5X10.0X0.6mm )	ID-0000041	0.15
36.) Spring ( 6.5X14.0mm )( w/ 0.5mm thick wire )	IE-0000022	0.50
37.) Proto-Coupler®	DD-0000001	10.00
38.) T-bar	IG-0000001	0.50

\*Requires Exchange



