

RAILKING[®]
By M.T.H. Electric Trains

30-1164-1
30-1164-0

L-1 Mikado

2-8-2 Steam Engine



L-1 Mikado 2-8-2 Steam Engine

Boiler Parts

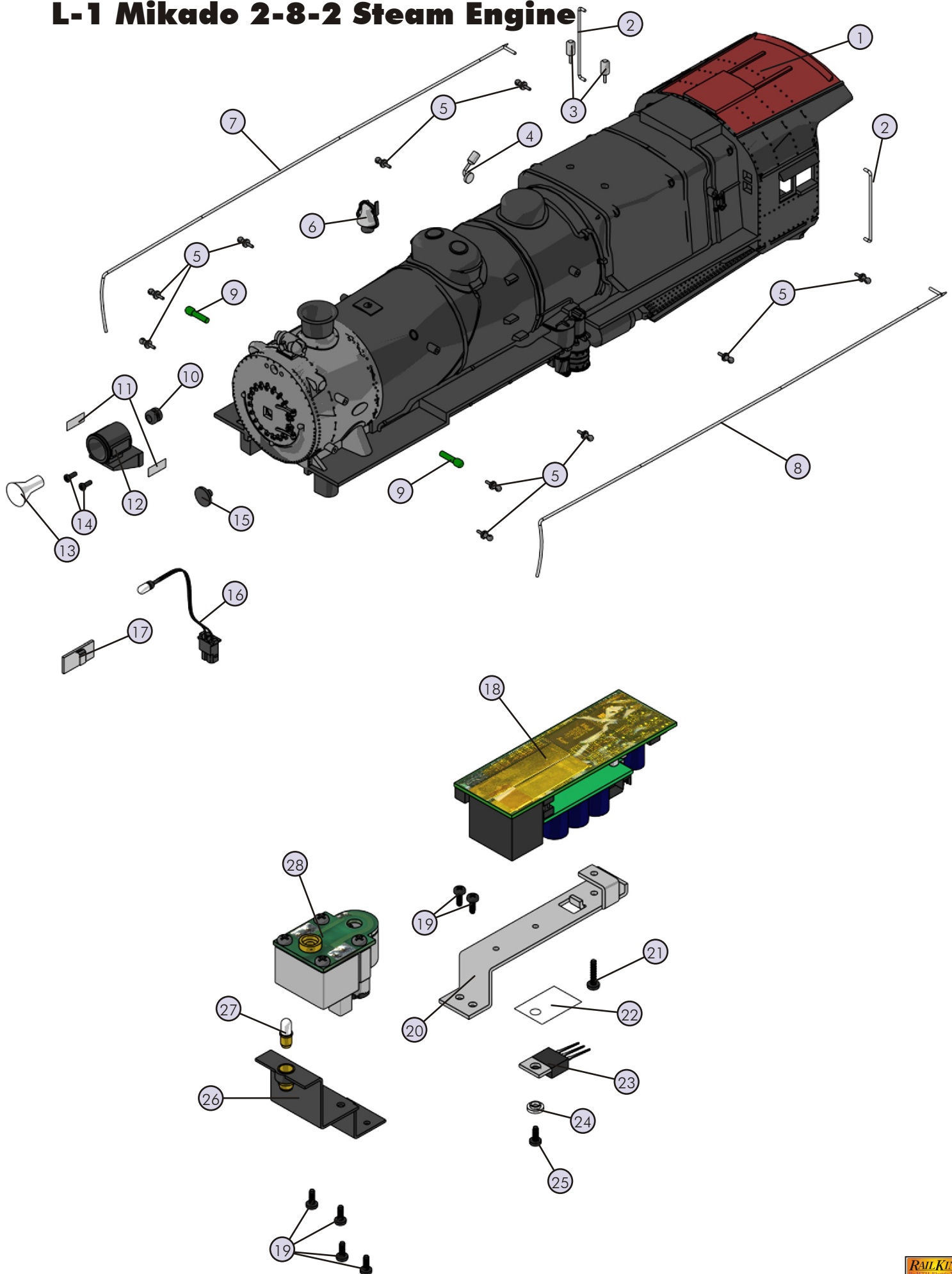
Name and Number	Part #	\$Price Per Unit	Name and Number	Part #	\$Price Per Unit
1.) Shell (green, red, graphite) (boiler)(PRR, # 1627)	FB-1200232	*150.00	22.) Insulator (clear) (13.0x19.0x0.1mm)(single hole)	ID-0000024	0.15
2.) Handrail (nickel) (cab)(26.5mm long)	FB-1200233	2.00	24.) Insulator (white) (washer)(3.0x6.0x3.0mm)(plastic)	ID-0000025	0.15
3.) Pop-off valve (nickel) (6.3mm long)	FB-1200224	2.00	25.) Screw (4/40x8.0mm)(roundhead)	IA-0000011	0.15
4.) Whistle (nickel)	FB-1200003	4.00	NS.) Wire harness (12 pin male plug)	BC-1200097	15.00
5.) Stanchion (black) (4.0mm long)(plastic)	FB-1200234	0.25	NS.) Wire harness (7 pin male plug)	BC-1200095	10.00
6.) Bell (nickel bell, green bracket)	FB-1200225	10.00	NS.) Wire harness (5 pin male plug)	BC-1200096	5.00
7.) Handrail (nickel) (right)(boiler)(202.0mm long)(bends down 25.0mm)	FB-1210047	2.00	NS.) Wire harness (4 pin male plug)	BC-1200041	4.00
8.) Handrail (nickel) (left)(boiler)(202.0mm long)(bends down 25.0mm)	FB-1220054	2.00	NS.) Ferrite bead (gray) (4.6x9.7x9.4mm)(barrel shape)	AI-0000030	2.00
9.) Lens (green)(marker) (2.2x14.2mm)(1.0x2.8mm rounded lens head)	FA-0000081	1.00	NS.) Capacitor (.01 micro uF)(blue w/ 2 wires)	AI-0000031	2.00
10.) Grommet (black) (4.5x5.0mm)(rubber)	IH-0000010	0.50			
11.) Number board (# 1627)(sticker)	FG-1200008	0.50			
12.) Headlight housing (green)	FB-1230001	12.00			
13.) Lens (clear)(headlight)	FA-1230004	2.00			
14.) Screw (M2x4.0mm)(roundhead)	IA-0000058	0.15			
15.) Number plate (# 1627) (gold & green)	FB-1200235	6.00			
16.) Bulb (clear)(6v)(1) (115.0mm long wires w/ blue male 2 pin plug)	CA-0000043	2.00			
17.) Wire strap (white)	IH-0000103	1.00			
18.) Boards (Proto-Sound 2.0®)	AE-0000001	*200.00			
19.) Screw (4/40x6.0mm)(roundhead)	IA-0000003	0.15			
20.) Bracket (Aluminum) (for Proto-Sound 2.0® boards)(15.0x78.0mm)	IH-0000188	3.00			
21.) Screw (6/32x14.0mm)(roundhead)	IA-0000194	0.15			
22.) Insulator (clear) (13.0x19.0x0.1mm)(single hole)	ID-0000024	0.15			
23.) Voltage regulator (LM2937ET)	AG-0000032	3.00			
24.) Insulator (white) (washer)(3.0x6.0x3.0mm)(plastic)	ID-0000025	0.15			
25.) Screw (4/40x8.0mm)(roundhead)	IA-0000011	0.15			
26.) Bracket (black) (27.0x45.0mm)(headlight/smoke unit)	IH-0000196	3.00			
27.) Bulb (clear) (6v)(small globe)(screw base)	CA-0000038	1.00			
28.) Smoke unit (Proto-Sound 2.0®) (6.8x8.0x2.1x3.9mm brass cup)(7.5mm long posts)	AA-0000034	50.00			
NS.) Wire harness (12 pin male plug)	BC-1200094	15.00			
NS.) Wire harness (7 pin male plug)	BC-1200095	10.00			
NS.) Wire harness (5 pin male plug)	BC-1200096	5.00			
NS.) Wire harness (4 pin male plug)	BC-1200041	4.00			

*Requires Exchange
All parts are priced as each

Loco-Sound® Only Parts

18.) Boards (Loco-Sound®)	AE-0000003	*100.00
19.) Screw (4/40x6.0mm)(roundhead)	IA-0000003	0.15
20.) Bracket (Aluminum) (for Loco-Sound® boards)	IH-0000190	3.00
21.) Screw (4/40x6.0mm)(roundhead)	IA-0000003	0.15

L-1 Mikado 2-8-2 Steam Engine



L-1 Mikado 2-8-2 Steam Engine

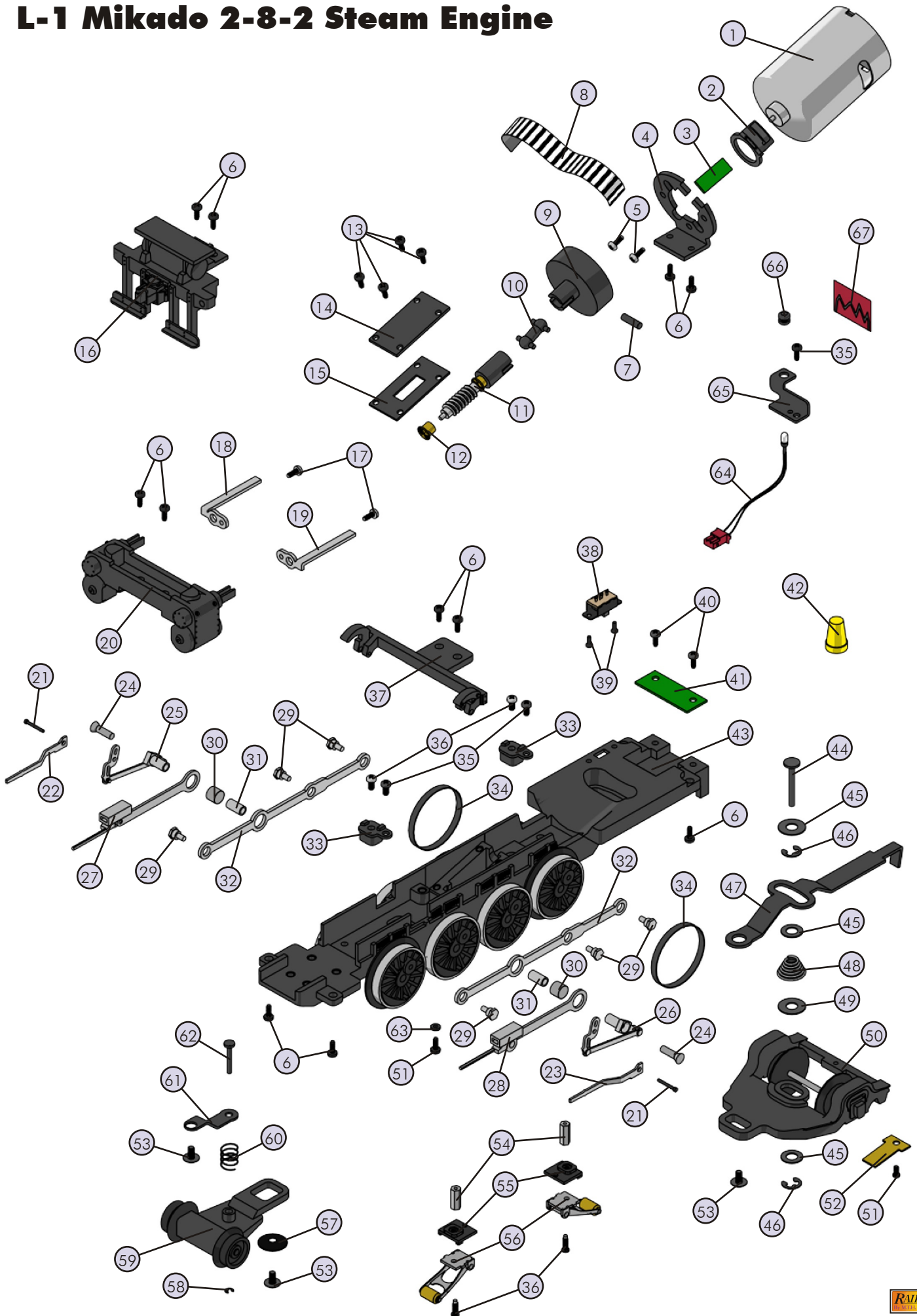
Drive Block Parts

Name and Number	Part #	\$Price Per Unit	Name and Number	Part #	\$Price Per Unit
1.) Motor (RS-545RH)(no worm gear)	BE-0000087	25.00	34.) Traction tire (black)	DE-0000023	0.75
2.) Bracket (black)(plastic) (for tach board mounting)(fits on part # BI-0000052)	IH-0000192	3.00	35.) Screw (4/40x6.0mm)(roundhead)	IA-0000003	0.15
3.) Tach board (w/ 1.5mm spacer between board & optical sensor)	AG-0000047	6.00	36.) Screw (nickel) (M3x6.0mm)(roundhead)	IA-0000015	0.15
4.) Motor mount (black) (for motor RS-545RH)(stamped metal)	BI-0000052	6.00	37.) Motion hanger (black)	EA-1200017	8.00
5.) Screw (M3x6.0mm)(roundhead)	IA-0000016	0.15	38.) Switch (small)	BB-0000009	5.00
6.) Screw (6/32x8.0mm)(roundhead)	IA-0000050	0.15	39.) Screw (M2x4.0mm)(roundhead)	IA-0000058	0.15
7.) Set screw (M3x10.0mm)(no screw head)	IA-0000151	0.15	40.) Screw (6/32x6.0mm)(roundhead)	IA-0000027	0.15
8.) Tach tape (fits 30.0mm flywheel)(1.96mm wide stripes) (black & white striped tape)	BE-0000069	1.00	41.) PC board (green) (w/ 10 pin female plug)	AG-0000039	8.00
9.) Flywheel (black) (10.0x30.0mm)(w/ socket for drive shaft)	BE-0000086	5.00	42.) Wire nut (yellow)	BI-4500003	0.25
10.) Drive shaft (black) (plastic)(15.6mm long)(dog bone)	EH-1200002	2.00	43.) Drive block (4 axle)(black)	DF-1200034	*100.00
11.) Worm gear (42.0mm long)	EH-1200003	5.00	44.) Pin (black) (5.0x25.6mm)(8.0x1.5mm flat head) (1 e-clip groove 0.8mm out from end and 1 17.5mm)	IG-0000038	0.50
12.) Bearing (brass) (2.9x5.3x4.6mm)	DC-0000006	3.00	45.) Washer (5.5x10.0x0.5mm)	ID-0000075	0.15
13.) Screw (4/40x8.0mm)(roundhead)	IA-0000011	0.15	46.) E-clip (3.5x9.0x0.6mm)	IF-0000009	0.15
14.) Gear box cover (black) (19.4x34.4x1.0mm)(metal)	BI-0000050	2.00	47.) Draw bar (black) (103.2mm long)(7.5mm & 10.5mm step-ups)	FB-1200230	3.00
15.) Gasket (black)(fiber) (for gear box cover)(19.3x33.9x1.5mm)	BI-0000051	1.00	48.) Spring (6.4x11.0x12.0mm)(0.6mm thick wire)	IE-0000065	0.50
16.) Pilot (green)	DG-1230017	25.00	49.) Washer (5.0x15.0x0.5mm)	ID-0000013	0.15
17.) Screw (nickel) (6/32x6.0mm)(roundhead)	IA-0000051	0.15	50.) Truck (black)(trailing)(1 axle)	DA-1240038	15.00
18.) Drive rod guide (nickel) (right)(33.0mm long)	EA-1210010	3.00	51.) Screw (4/40x4.0mm)(roundhead)	IA-0000021	0.15
19.) Drive rod guide (nickel) (left)(33.0mm long)	EA-1220010	3.00	52.) Ground strap (copper)	II-4500002	1.00
20.) Steam chest (green)	EF-1230018	15.00	53.) Screw (6/32x6.0mm)(washer head)	IA-0000214	0.15
21.) Screw (M2x9.0mm)(6.0mm long shank)(roundhead)	IA-0000077	0.15	54.) Nut (nickel)(2.5x5.0x10.0mm)	IC-0000005	0.50
22.) Eccentric rod (nickel) (right)(40.2mm long)	ED-1210027	1.00	55.) Insulator (black) (pick-up)(bottom)(plastic)	BD-0000001	2.00
23.) Eccentric rod (nickel) (left)(40.2mm long)	ED-1220027	1.00	56.) Pick-up (8.0x11.0mm roller)(28.0mm long)	BD-0000048	5.00
24.) Screw (nickel) (M3x16.0mm)(flathead)	IA-0000052	0.15	57.) Spacer (black) (3.5x15.0x2.5mm)(metal)(cupped)	ID-0000014	1.00
25.) Eccentric assembly (nickel) (right)(50.9mm long rod)	ED-1210028	5.00	58.) E-clip (2.5x6.0x0.5mm)	IF-0000004	0.15
26.) Eccentric assembly (nickel) (left)(50.9mm long rod)	ED-1220028	5.00	59.) Truck (black)(lead)(1 axle)	DA-1230029	15.00
27.) Drive rod (nickel) (right)(95.0mm long)	EC-1210023	5.00	60.) Spring (nickel) (7.0x10.0mm)(w/ 0.5mm thick wire)	IE-0000030	0.50
28.) Drive rod (nickel) (left)(95.0mm long)	EC-1220023	5.00	61.) Bracket (black)(lead truck) (7.0x34.7x1.0mm)(6.5mm step)	IH-1230009	1.00
29.) Bolt (nickel) (M3x9.4mm)(4.0x2.5mm shank)(5.0mm hex head)	IA-0000054	1.00	62.) Pin (black) (3.1x14.8mm)(6.0x1.0mm rounded head) (1 e-clip groove 0.5mm out from end)	IG-0000003	0.50
30.) Sleeve (nickel) (outer)(6.8x10.0x4.4mm)	ID-0000059	1.00	63.) Washer (black) (3.0x6.0x0.4mm)(fiber)	ID-0000040	0.15
31.) Sleeve (nickel) (inner)(5.3x6.5x7.8mm)	ID-0000058	1.00	64.) Bulb (clear)(6v)(firebox glow) (45.0mm long wires)(w/ 2 pin red male plug)	CG-0000033	2.00
32.) Side rod (nickel)(102.6mm long)	EC-1250029	2.00	65.) Bracket (black)(firebox glow)	IH-0000197	3.00
33.) Insulator (black) (top)(square)(pick-up)	BD-0000026	2.00	66.) Grommet (black) (4.5x5.0mm)(rubber)	IH-0000010	0.50
			67.) Lens (red)(firebox glow)	FA-0000077	2.00

*Requires Exchange

All parts are priced as each

L-1 Mikado 2-8-2 Steam Engine



L-1 Mikado 2-8-2 Steam Engine

Tender Parts

Name and Number	Part #	\$Price Per Unit	Name and Number	Part #	\$Price Per Unit
1.) Dog house (green)	GA-1200086	*15.00	29.) Washer (plastic)	ID-0000060	0.15
2.) Lens (clear)(headlight)	FA-1230004	2.00	(4.6x8.5x0.5mm)(cup shaped for spring)		
3.) Back-up light housing (green)	GA-1240001	12.00	30.) Spring	IE-0000063	0.50
4.) Handrail (nickel)	GA-1200090	1.00	(6.5x11.0mm)(0.5mm thick wire)		
5.) Screw	IA-0000003	0.15	NS.) Coupler	DD-0000039	3.00
(4/40x6.0mm)(roundhead)			(mechanical)(51.5mm long)		
6.) Screw	IA-0000050	0.15	NS.) Armature (black)	DD-0000040	1.00
(6/32x8.0mm)(roundhead)			(45.0mm long)		
7.) Shell (green, red, black)	GA-1200091	*85.00			
(tender)(Pennsylvania)					
8.) Handrail (nickel)	GA-1200092	1.00			
(36.5mm long)(bends down on top)					
9.) Wire strap (white)	IH-0000103	1.00			
10.) Bulb (clear)(6v)(back-up light)	CF-0000012	2.00			
(90.0mm long wires w/ green plug)(grain of wheat)					
11.) Bracket (brass)(speaker)	IH-0000195	1.00			
(9.0x9.5x0.7mm)(5.0mm step-up)					
12.) Screw	IA-0000296	0.15			
(M3x3.0mm)(roundhead)					
13.) Battery leads	BC-0000091	3.00			
(80.0mm long wires w/ male 2 pin white plug)					
14.) Bracket (battery)	IH-0000042	3.00			
15.) Battery	BG-4000001	9.95			
16.) Speaker (Cuistack)	BF-0000007	8.95			
(GF0501)(16 ohms)(0.25 watt)					
17.) Gasket (black)	IB-0000009	0.50			
(43.8x49.8x3.0mm)(foam)					
18.) Screw	IA-0000035	0.15			
(M3x8.0mm)(roundhead)					
19.) Volume pot (small)	BI-0000040	5.00			
(blue w/ green board)					
20.) Spacer (black)	ID-0000071	0.15			
(3.0x6.0x4.3mm)(plastic)					
21.) Screw	IA-0000214	0.15			
(6/32x6.0mm)(washer head)					
22.) Wire harness (10 pin male plug)	BC-1200092	12.00			
23.) Chassis (black)	GB-1200046	*15.00			
(tender)(58.0x180.0mm)					
24.) Draw bar (black)	GA-1200093	3.00			
(12.2x54.0x1.2mm)					
25.) Screw	IA-0000021	0.15			
(4/40x4.0mm)(roundhead)					
26.) Truck (black)(2 axle)(tender)	DA-1200015	25.00			
(2 threaded 4/40 holes for mounting draw bar)					
27.) Screw	IA-0000011	0.15			
(4/40x8.0mm)(roundhead)					
28.) E-clip (black)	IF-0000001	0.15			
(3.0x8.0x0.5mm)					
29.) Washer (black)	ID-0000009	0.15			
(4.5x10.0x6.0mm)					
30.) Spring (nickel)	IE-0000022	0.50			
(6.5x14.0mm)(0.5mm thick wire)					
31.) Proto-Coupler	DD-0000032	10.00			
(Proto-Sound 2.0®)(51.0mm long)					
32.) T-bar (black)(plastic)	IG-0000001	0.50			

*Requires Exchange
All parts are priced as each

Loco-Sound® Parts

16.) Speaker (Cuistack)	BF-0000015	8.95
(GF0501)(8 ohms)(0.25 watt)		
22.) Wire harness (10 pin male plug)	BC-1200093	12.00

L-1 Mikado 2-8-2 Steam Engine

