

**RAILKING**<sup>®</sup>  
By M.T.H. Electric Trains

30-4050-1  
30-1159-1

## 2-8-0 Steam Engine



GL060501

REV.071001

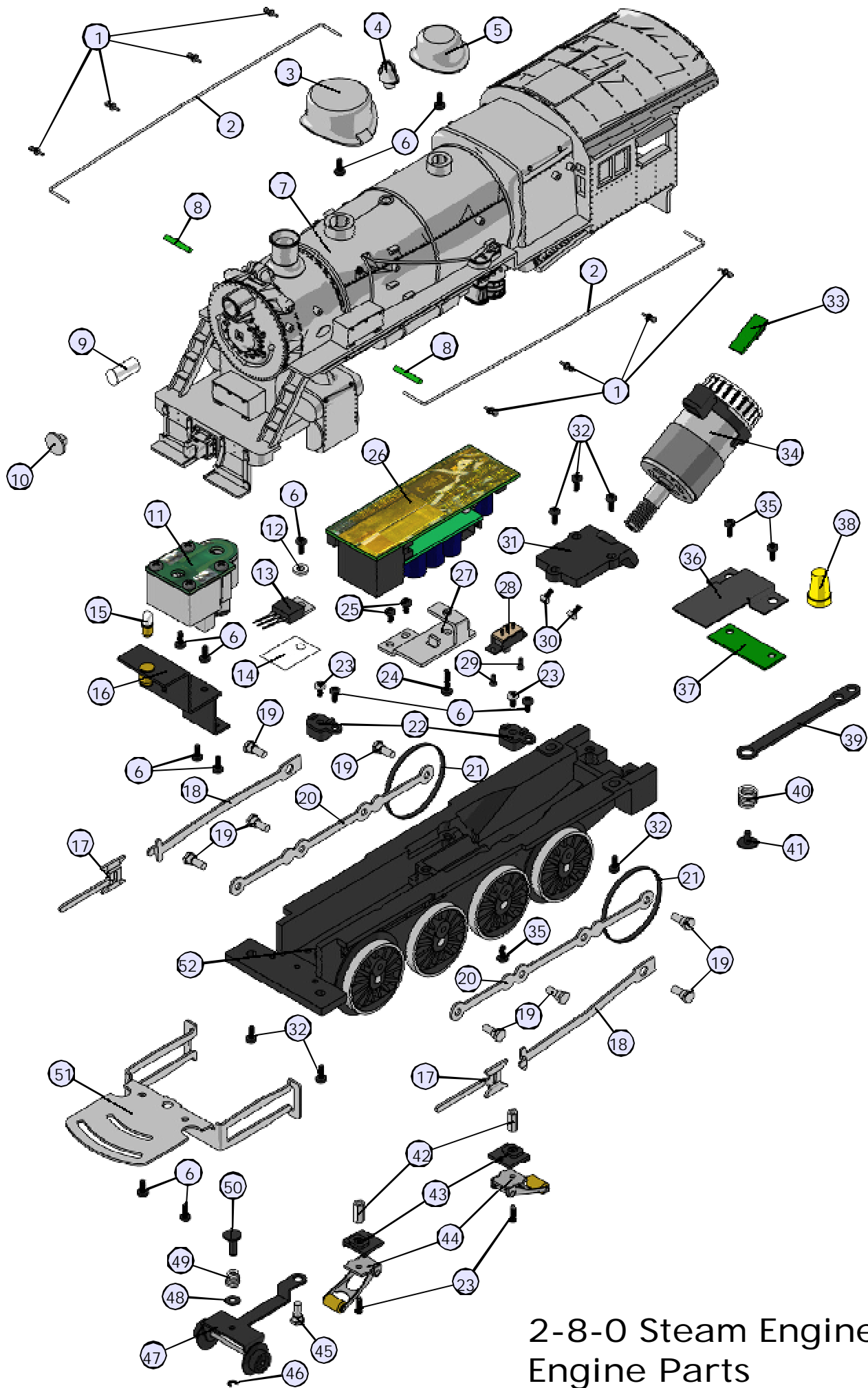


# 2-8-0 Steam Engine

## Engine Parts

Name and Number	Part #	\$Price Per Unit	Name and Number	Part #	\$Price Per Unit
1.) Stanchion ( black) (plastic)(3.0mmlong)	FB-1200242	0.50	36.) Bracket(black) (metal)(18.6x32.4x40.5mm)(Tshaped)	IH-0000211	3.00
2.) Handrail(nickel)(boiler)	FB-1200099	2.00	37.) PCboard(green) (w/10pinfemaleplug)	AG-0000039	8.00
3.) Sanddome(black)	FB-1200246	10.00	38.) Wirenut(yellow)	BI-4500003	0.25
4.) Bell(nickel)	FB-1200101	6.00	39.) Drawbar(black) (67.5mm long )	FB-1200079	3.00
5.) Steamdome(black)	FB-1200247	8.00	40.) Spring (6.5x10.0mm)(w/0.6mmthickwire)	IE-0000061	0.50
6.) Screw (4/40x6.0mm)(roundhead)	IA-0000003	0.15	41.) Screw (4/40x6.0mm)(washerhead)	IA-0000028	0.15
7.) Shell(black) ( UnionPacific)(#1757)	FB-1200238	*100.00	42.) Nut(nickel)(2.5x5.0x10.0mm)	IC-0000005	0.50
8.) Lens(green)(marker)	FA-1230025	1.00	43.) Insulator(black) (pick-up)(bottom)(flat)(square)	BD-0000024	2.00
9.) Lens(clear)(headlight)	FA-1230022	2.00	44.) Pick-up (8.0x11.0mmroller)(24.0mmlong)	BD-0000050	5.00
10.) Numberboard(black) ( UnionPacific)(#1757)	FB-1200250	3.00	45.) Bolt(nickel)(M3x9.5mmlong) (4.0x2.5mmshoulder)(5.0mmhexhead)	IA-0000253	1.00
11.) Smokeunit (7.0x8.0x2.0x3.7mmbrasscup)(7.5mmlongposts) (Proto-Sound2.0®&LocoSound®)	AA-0000029	50.00	46.) E-clip(2.5x6.0x0.5mm)	IF-0000004	0.15
12.) Insulatorwasher(white) (3.0x6.0x3.0mm)	ID-0000025	0.15	47.) Truck(lead)(singleaxle)	DA-1230013	10.00
13.) Voltageregulator(LM2937ET)	AG-0000032	3.00	48.) Washer(3.0x7.0x0.4mm)	ID-0000028	0.15
14.) Insulator(clear) (13.0x16.0x0.1mm)(singlehole)	ID-0000024	0.15	49.) Spring (6.5x11.0mm)(w/0.4mmthickwire)	IE-0000007	0.50
15.) Bulb(clear)(headlight) (6V)(smallglobe)(screwbase)	CA-0000038	1.00	50.) Pin (3.0x9.0mm)(flathead)(1e-clipgroove)	IG-0000007	0.50
16.) Bracket(black) (smokeunit/headlight)	IH-0000085	3.00	51.) Pivotplate(nickel) ( forleadtruck)	IH-0000021	5.00
17.) Crosshead(nickel) (38.8mmlong)	EC-1250016	1.00	52.) Driveblock(black)(4axle)	DF-1200037	*50.00
18.) Driverod(nickel)	EC-1250015	2.00	NS.) Wireharness (12pinblackmaleplug)	BC-1200098	12.00
19.) Bolt(nickel) (M3x9.5mmlong)(hexhead5.0mm) (4.0x2.5mmshoulder)	IA-0000253	1.00	NS.) Wireharness (7pinblackmaleplug)	BC-1200099	8.00
20.) Siderod(nickel) (116.0mmlong)(4holes)	EC-1250017	3.00	NS.) Wireharness (5pin black maleplug)	BC-1200100	4.00
21.) Tractiontires	DE-0000023	0.75	NS.) Wireharness (4pinblackmaleplug)	BC-1200101	4.00
22.) Insulator(black) (top)(square)(pick-up)	BD-0000026	2.00			
23.) Screw(nickel) (M3x6.0mm)(roundhead)	IA-0000015	0.15			
24.) Screw (6/32x12.0mm)(roundhead)	IA-0000103	0.15			
25.) Screw (M3x4.0mm)(roundhead)	IA-0000010	0.15			
26.) Boards(Proto-Sound2.0®)	AE-0000001	*200.00			
27.) Bracket(Aluminum) ( forProto-Sound2.0®boards) (16.2x32.9mm)(sidemounting)	IH-0000210	3.00			
28.) Switch(small)	BB-0000009	5.00			
29.) Screw (M2x4.0mm)(roundhead)	IA-0000058	0.15			
30.) Screw(yellowZink) (M2.5x6.0mm)(roundheadw/lockwasher)	IA-0000089	0.15			
31.) Motormount(black)	BI-0000034	15.00			
32.) Screw (6/32x8.0mm)(roundhead)	IA-0000050	0.15			
33.) Tachboard ( no spacerbetweenboardandopticalsensor)	AG-0000033	6.00			
34.) Motor(RS-365SH) (8.0x21.0mm gearshaft)(13.0mmgearthreads) (9.0x30.0mmwhiteflywheelw/blackstripes) (tachboardmountingstrap)	BE-0000076	25.00			
35.) Screw (6/32x6.0mm)(roundhead)	IA-0000027	0.15			

\*RequiresExchange  
Allpartsarepricedaseach



2-8-0 Steam Engine  
Engine Parts

# 2-8-0 Steam Engine Tender

## Tender Parts

NameandNumber	Part #	\$Price PerUnit
1.) Shell(black)(tender)(plastic) (UnionPacific)(#1757)	GA-1200095	*40.00
2.) Screw (M3x8.0mm)(roundhead)	IA-0000035	0.15
3.) Speakercone(black) (44.0x48.3x37.0mm)(plastic)(2screwwholetabs)	BF-0000020	4.00
4.) Speaker (STAR)(PR-050-A111)(16ohms)(MAX2W)	BF-0000007	8.95
5.) Gasket(black) (speakerring)(43.8x49.8x3.0mm)(foam)	IB-0000009	0.50
6.) Wireharness(black) (10pinmaleplug)(w/295.0mmlongwires) (black,white&blue2pinfemaleplugs) (batteryjack&smallvolumepot)	BC-1200102	15.00
7.) Batteryjack(black)	BG-0000001	3.00
8.) Screw (M2x4.0mm)(roundhead)	IA-0000058	0.15
9.) Spacer(black) (3.0x6.0x4.3mm)(plastic)	ID-0000071	0.15
10.) Volumepot(small) (bluepotmountedongreenPCboard)	BI-0000040	5.00
11.) Batteryleads (60.0mmlongwiresw/blue2pinmaleplug)	BC-0000094	3.00
12.) Screw (M3x4.0mm)(roundhead)	IA-0000010	0.15
13.) Battery	BG-4000001	9.95
14.) Bracket(black) (battery)(horizontalsidemount)(plastic)	IH-0000116	3.00
15.) Chassis(black) (58.0x175.0mm)(hasnewholeforbatteryjack)	GB-1200047	*15.00
16.) T-bar (black)(plastic)	IG-0000001	0.50
17.) Proto-Coupler2.0® (51.0mmlong)	DD-0000032	10.00
18.) Spring(nickel) (6.5x14.0mm)(0.5mmthickwire)	IE-0000022	0.50
19.) E-clip(3.0x8.0x0.5mm)	IF-0000002	0.15
20.) Screw (M3x16.0mm)(washerhead)(self-drillingthreads)	IA-0000025	0.15
21.) Screw (6/32x6.0mm)(washerhead)	IA-0000214	0.15
22.) Truck(black)(tender)(2axle)	DA-1250012	25.00
23.) Screw (4/40x6.0mm)(roundhead)	IA-0000003	0.15
24.) Washer(4.5x10.0x0.6mm)	ID-0000041	0.15

\*RequiresExchange  
Allpartsarepricedaseach

# 2-8-0 Steam Engine Tender

## Tender Parts

