

**RAIL KING**<sup>®</sup>  
By MTH. Electric Trains

30-1181-1  
30-1182-1  
30-1183-1  
30-1184-1

## 0-8-0 Switch Engine



GL101501



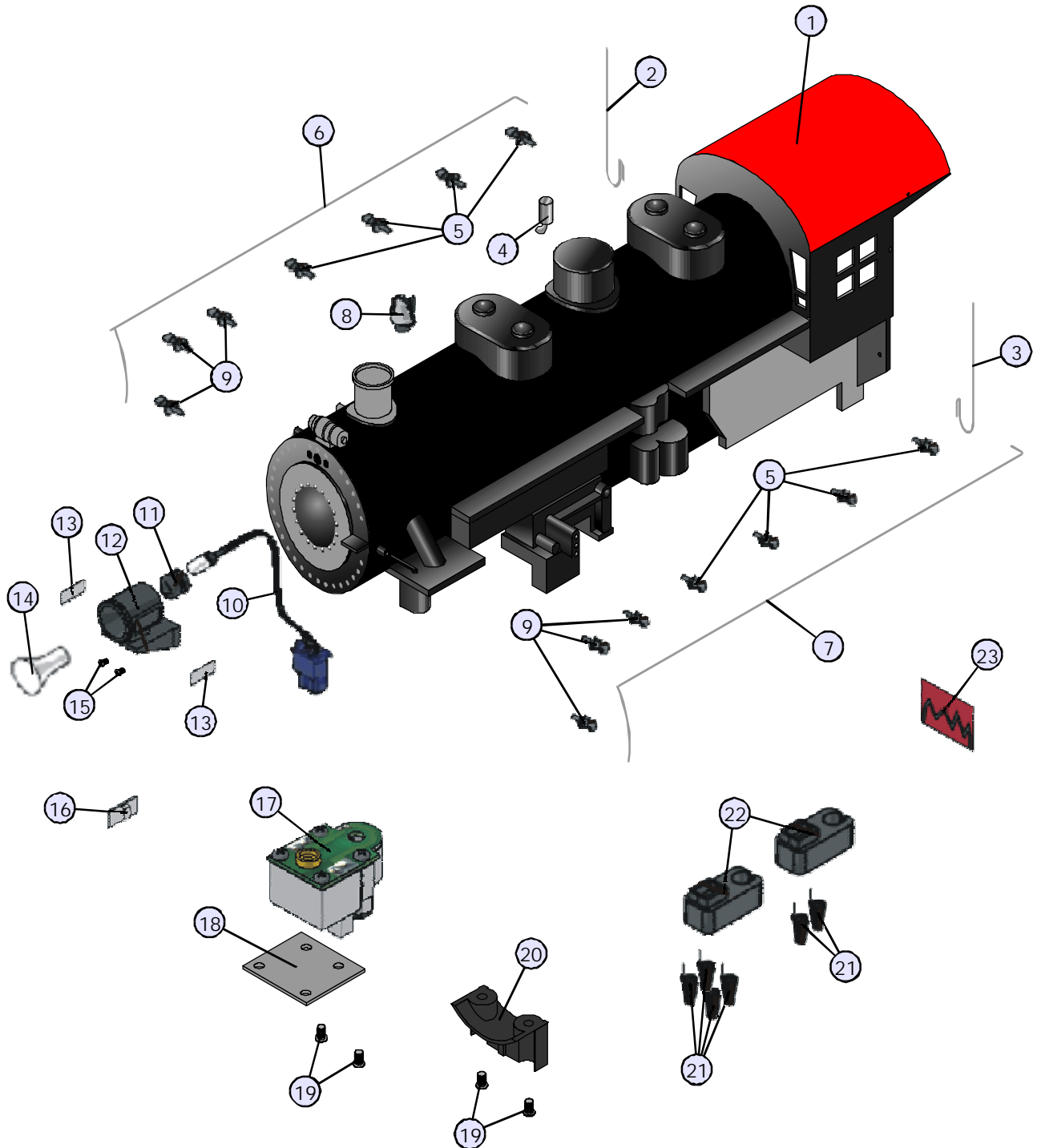
# O-8-O Switch Engine

## Boiler Parts

Name and Number	Part #	\$Price Per Unit
1.) Shell ( black, red, graphite ) ( boiler )( Southern )( # 1841 )	FB-1200274	*150.00
Shell ( black, graphite ) ( boiler )( Erie )( # 120 )	FB-1200275	*150.00
Shell ( black, red, graphite ) ( boiler )( CB&Q )( # 541 )	FB-1200276	*150.00
Shell ( black, graphite, white ) ( boiler )( B & M )( # 613 )	FB-1200277	*150.00
2.) Handrail ( nickel ) ( right )( cab )( 39.8mm long )	FB-1210052	2.00
3.) Handrail ( nickel ) ( left )( cab )( 39.8mm long )	FB-1220059	2.00
4.) Whistle ( nickel )	FB-1200003	4.00
5.) Stanchion ( black ) ( 3.0mm long )( plastic )	FB-1200242	0.50
6.) Handrail ( nickel ) ( right )( boiler )( 173.0mm long )	FB-1210013	2.00
7.) Handrail ( nickel ) ( left )( boiler )( 173.0mm long )	FB-1220013	2.00
8.) Bell ( nickel bell, black bracket )	FB-1200278	10.00
9.) Stanchion ( graphite ) ( 3.0mm long )( plastic )	FB-1200279	0.50
10.) Bulb ( clear )( 6v )( 1 ) ( 140.0mm long w/ blue male 2 pin plug )	CA-0000054	3.00
11.) Grommet ( black ) ( 4.5x5.0mm )( rubber )	IH-0000010	0.50
12.) Headlight housing ( black )	FB-1200056	12.00
13.) Number board ( # 1841 )( sticker ) ( black w/ white numbers )( Southern )( # 1841 )	FG-1200010	0.50
Number board ( # 120 )( sticker ) ( black w/ white numbers )( Erie )( # 120 )	FG-1200011	0.50
Number board ( # 541 )( sticker ) ( black w/ white numbers )( CB&Q )( # 541 )	FG-1200012	0.50
Number board ( # 613 )( sticker ) ( black w/ white numbers )( B&M )( # 613 )	FG-1200013	0.50
14.) Lens ( clear )( headlight ) ( 3.4x6.0x7.0mm )( tapered lens head )	FA-1230004	2.00
15.) Screw ( M2x6.0mm )( roundhead )	IA-0000186	0.15
16.) Wire strap ( white )	IH-0000103	1.00
17.) Smoke unit ( Proto-Sound® 2.0 ) ( 6.8x8.0x2.1x3.9mm brass cup )( 7.5mm long posts )	AA-0000034	50.00
18.) Bracket ( black )( metal ) ( 26.0x26.7x1.6mm )( mounts smoke unit )	IH-0000286	2.00
19.) Screw ( 4/40x6.0mm )( roundhead )	IA-0000003	0.15
20.) Boiler panel ( black )( die-cast ) ( mounts below smoke unit )	FB-1200058	8.00
21.) Contact spring ( copper )	IE-0000015	0.50
22.) Contact spring base ( black ) ( plastic )( holds 4 contact springs )	BH-0000056	3.00
23.) Lens ( red )( firebox glow )	FA-0000077	2.00
NS.) Wire harness ( 135.0mm long wires w/ blue male 2 pin plug ) ( for powering smoke unit fan motor )	BC-1200142	3.00
NS.) Wire harness ( 135.0mm long wires w/ red male 2 pin plug ) ( for powering smoke unit heating elements )	BC-1200143	3.00

\*Requires Exchange  
All parts are priced as each

# 0-8-0 Switch Engine Boiler Parts



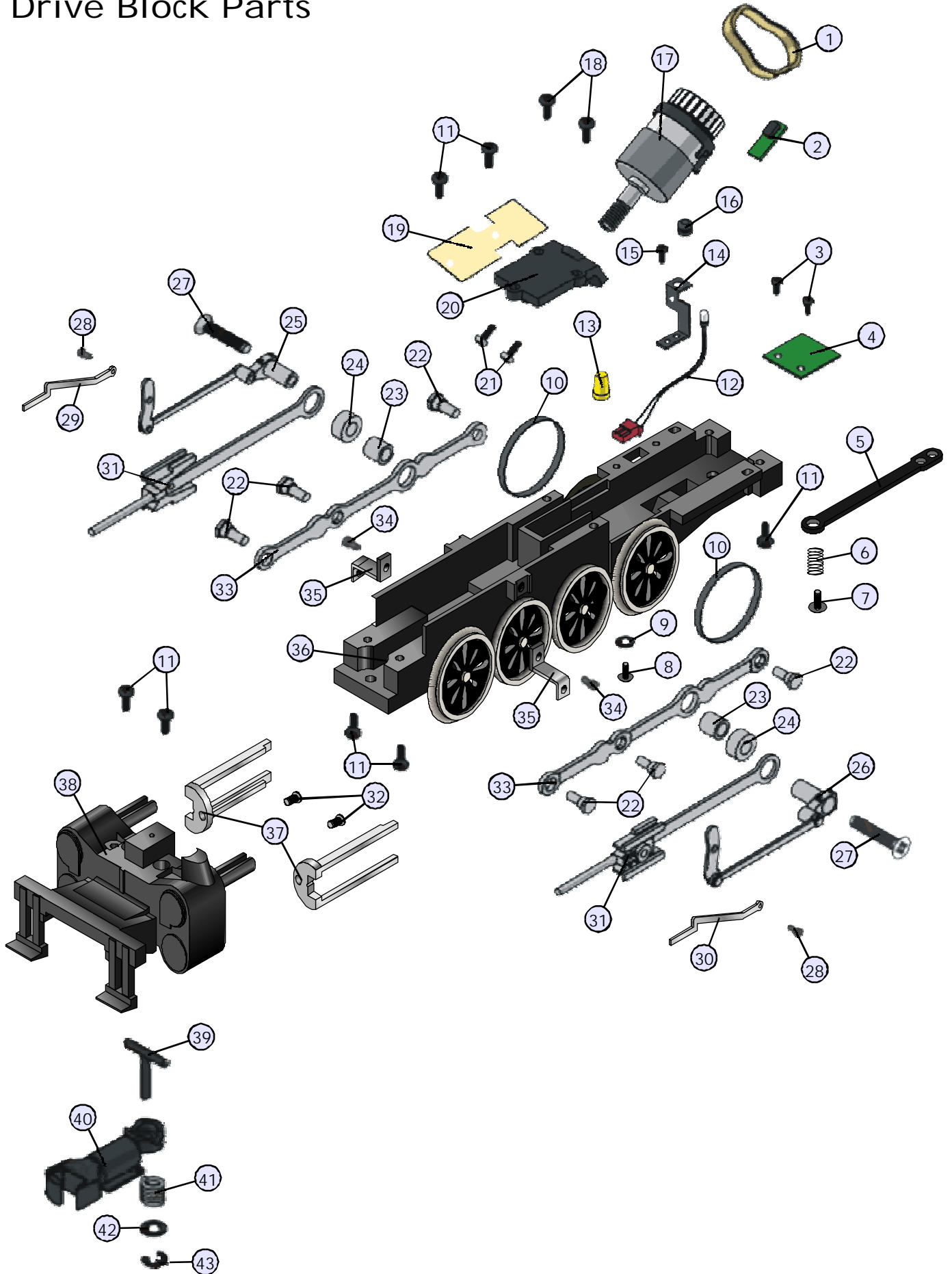
# O-8-O Switch Engine

## Drive Block Parts

Name and Number	Part #	\$Price Per Unit	Name and Number	Part #	\$Price Per Unit
1.) Rubber band ( holds wires to motors )	BI-4500004	0.50	31.) Drive rod ( nickel ) ( both )(95.0mm long )	EC-1250004	5.00
2.) Tach board ( for Proto-Sound® 2.0 and Loco-Sound™ )	AG-0000033	6.00	32.) Screw ( nickel ) ( 6/32x6.0mm )( roundhead )	IA-0000051	0.15
3.) Screw ( 6/32x6.0mm )( roundhead )	IA-0000027	0.15	Screw ( black ) ( 6/32x6.0mm )( roundhead )	IA-0000027	0.15
4.) PC board ( green ) ( 10 pin female plug )( 20.5x24.2mm ) ( w/ 2-IN4004 diodes )	AG-0000044	8.00	33.) Side rod ( nickel ) ( 102.5mm long )( 4 mounting holes )	EC-1250005	3.00
5.) Draw bar ( black ) ( metal )( 5.0x72.8mm long )(3.5mm step ) ( 1 mounting hole )( 2 coupling holes )	FB-1200280	3.00	34.) Screw ( 4/40x6.0mm )( roundhead )	IA-0000003	0.15
6.) Spring ( nickel ) ( 6.4x10.0mm )( w/ 0.5mm thick wire )	IE-0000070	0.50	35.) Motion hanger ( black ) ( metal )( 4.1x10.5mm )( 9.7mm step )	EA-1250001	2.00
7.) Screw ( 4/40x6.0mm )( washer head )	IA-0000028	0.15	36.) Drive block ( black )( 4 axle ) ( Proto-Sound® 2.0 )	DF-1200044	*100.00
8.) Screw ( 6/32x4.0mm )( roundhead )	IA-0000060	0.15	37.) Drive rod guide ( nickel ) ( 40.8mm long )( fits both sides )	EA-1200005	4.00
9.) Washer ( black ) ( 3.0x6.0x0.4mm )( fiber )	ID-0000040	0.15	38.) Pilot/steam chest ( black )	DG-1230006	30.00
10.) Traction tire ( black )	DE-0000023	0.75	39.) T-bar ( black )( plastic )	IG-0000001	0.50
11.) Screw ( 6/32x8.0mm )( roundhead )	IA-0000050	0.15	40.) Proto-Coupler® ( Proto-Sound® 2.0 )( 51.0mm long )	DD-0000032	10.00
12.) Bulb ( clear )( 6v ) ( 50.0mm long wires w/ red male 2 pin plug ) ( grain of wheat )( firebox glow )	CG-0000030	3.00	41.) Spring ( nickel ) ( 6.5x14.0mm )( 0.5mm thick wire )	IE-0000022	0.50
13.) Wire nut ( yellow )	BI-4500003	0.25	42.) Washer ( 4.5x10.0x6.0mm )	ID-0000009	0.15
14.) Bracket ( black )( metal ) ( 12.7x19.8x24.0mm )( firebox glow )	IH-0000287	3.00	43.) E-clip ( 3.0x8.0x0.5mm )	IF-0000001	0.15
15.) Screw ( 4/40x6.0mm )( roundhead )	IA-0000003	0.15	NS.) Wire harness ( w/ PC board )	BC-0000115	14.00
16.) Grommet ( black ) ( 4.5x5.0mm )( rubber )	IH-0000010	0.50	NS.) Wire harness ( 75.0mm long wires w/ black male 2 pin plug ) ( w/ black protective wire shield )( for Proto-Coupler® )	BC-0000116	2.00
17.) Motor ( RS-385PH ) ( 6.7x26.0mm worm gear w/ 15.5mm long threads ) ( 9.0x30.0mm black & white flywheel ) ( has tach board mount )	BE-0000099	25.00			
18.) Screw ( 6/32x10.0mm )( roundhead )	IA-0000040	0.15			
19.) Contact spring board ( 19.6x44.6x1.5mm )( 2 mounting holes )( 8 silver pads )	BH-0000057	3.00			
20.) Motor mount ( black ) ( 3 mounting holes )( die-cast )	BI-0000034	15.00			
21.) Screw ( yellow Zink ) ( M2.5x6.0mm )( roundhead w/ lock washer )	IA-0000089	0.15			
22.) Bolt ( nickel )( M3x9.4mm ) ( 4.0x2.5mm shank )( 5.0mm hex head )	IA-0000054	1.00			
23.) Sleeve ( nickel ) ( 5.6x6.4x6.3mm )( inner )	ID-0000045	1.00			
24.) Sleeve ( nickel ) ( 6.7x10.0x2.5mm )( outer )	ID-0000044	1.00			
25.) Eccentric assembly ( nickel ) ( right )( 41.4mm long rod )	ED-1210032	5.00			
26.) Eccentric assembly ( nickel ) ( left )( 41.4mm long rod )	ED-1220032	5.00			
27.) Screw ( nickel ) ( M3x16.0mm )( flathead )	IA-0000052	0.15			
28.) Screw ( M2x4.0mm )( roundhead )( w/ 2.0x2.5mm shank )	IA-0000053	0.15			
29.) Eccentric rod ( nickel ) ( right )( 52.3mm long )( 4.0mm step )	ED-1210009	1.00			
30.) Eccentric rod ( nickel ) ( left )( 52.3mm long )( 4.0mm step )	ED-1220009	1.00			

\*Requires Exchange  
All parts are priced as each

# 0-8-0 Switch Engine Drive Block Parts



# O-8-O Switch Engine

## Tender Parts

\$Price			\$Price		
Name and Number	Part #	Per Unit	Name and Number	Part #	Per Unit
1.) Lens ( clear )( headlight ) ( 3.4x6.0x7.0mm )( tapered lens head )	FA-1230004	2.00	28.) Chassis ( black ) ( tender )( metal )( 58.0x166.0mm )	GB-1200056	*15.00
2.) Number board ( # 1841 )( sticker ) ( black w/ white numbers )( Southern )( # 1841 )	FG-1200010	0.50	29.) Speaker ( Star ) ( FR-05004-B0422 )( 16 ohms )( MAX 0.5 watt )( 004E )	BF-0000027	8.95
Number board ( # 120 )( sticker ) ( black w/ white numbers )( Erie )( # 120 )	FG-1200011	0.50	30.) Gasket ( black ) ( 43.8x49.8x3.0mm )( foam )	IB-0000009	0.50
Number board ( # 541 )( sticker ) ( black w/ white numbers )( CB&Q )( # 541 )	FG-1200012	0.50	31.) Wire harness ( 10 pin male plug )	BC-1200144	15.00
Number board ( # 613 )( sticker ) ( black w/ white numbers )( B&M )( # 613 )	FG-1200013	0.50	32.) Screw ( 6/32x6.0mm )( washer head )	IA-0000214	0.15
3.) Reverse light housing ( black )	GA-1200113	12.00	33.) Screw ( nickel ) ( M3x4.0mm )( roundhead )	IA-0000337	0.15
4.) Screw ( 4/40x6.0mm )( roundhead )	IA-0000003	0.15	34.) Insulator ( black ) ( top )( square )( pick-up )	BD-0000026	2.00
5.) Grommet ( black ) ( 4.5x5.0mm )( rubber )	IH-0000010	0.50	35.) Truck ( black ) ( 2 axle )( tender )( T-bar mount cut out ) ( hole threaded for mounting top pick-up insulator )	DA-1230034	30.00
6.) Bracket ( black ) ( metal )( 8.0x23.2mm )( 4.0mm step ) ( 2 holes for mounting )( 1 hole for grommet )	IH-0000288	3.00	36.) Truck ( black )( 2 axle )( tender ) ( hole threaded for mounting top pick-up insulator )	DA-1240042	30.00
7.) Bulb ( clear )( 6v )( back-up light ) ( 130.0mm long wires w/ green plug )( grain of wheat )	CA-0000047	3.00	37.) T-bar ( black )( plastic )	IG-0000001	0.50
8.) Battery leads ( 90.0mm long wires w/ black small male 2 pin plug )	BC-0000117	3.00	38.) Proto-Coupler® ( Proto-Sound® 2.0 )( 51.0mm long )	DD-0000032	10.00
9.) Battery	BG-4000001	10.00	39.) Spring ( nickel ) ( 6.5x14.0mm )( 0.5mm thick wire )	IE-0000022	0.50
10.) Bracket ( battery )	IH-0000042	3.00	40.) Washer ( 4.5x10.0x6.0mm )	ID-0000009	0.15
11.) Screw ( M3x4.0mm )( roundhead )	IA-0000010	0.15	41.) E-clip ( 3.0x8.0x0.5mm )	IF-0000001	0.15
12.) Spacer ( black ) ( 3.0x6.0x4.3mm )( plastic )	ID-0000071	0.15	42.) Nut ( nickel )( 2.5x5.0x5.0mm )	IC-0000015	0.50
13.) Volume pot ( small ) ( blue w/ green board )	BI-0000040	5.00	43.) Insulator ( black ) ( pick-up )( bottom )( plastic )	BD-0000001	2.00
14.) Screw ( M3x8.0mm )( roundhead )	IA-0000035	0.15	44.) Pick-up ( 8.0x11.0mm roller )( 19.5mm long )	BD-0000042	5.00
15.) Screw ( M2x4.0mm )( roundhead )	IA-0000058	0.15	45.) Screw ( nickel ) ( M3x6.0mm )( roundhead )	IA-0000015	0.15
16.) Switch ( small )	BB-0000009	5.00	NS.) Wire harness ( 105.0mm long wires w/ black male 2 pin plug ) ( w/ black protective wire shield )( for Proto-Coupler® )	BC-0000118	2.00
17.) Insulator ( clear ) ( 13.0x19.0x0.1mm )( single hole )	ID-0000024	0.15			
18.) Voltage regulator ( LM2937ET )	AG-0000032	3.00			
19.) Insulator ( white ) ( washer )( 3.0x6.0x3.0mm )( plastic )	ID-0000025	0.15			
20.) Screw ( 6/32x8.0mm )( roundhead )	IA-0000050	0.15			
21.) Wire strap ( white )	IH-0000103	1.00			
22.) Boards ( Proto-Sound® 2.0 )	AE-0000001	*200.00			
23.) Bracket ( Aluminum ) ( 14.0x27.0x30.8x15.0mm )( 10.0mm step ) ( for Proto-Sound® 2.0 boards )	IH-0000264	3.00			
24.) Screw ( 6/32x14.0mm )( roundhead )	IA-0000194	0.15			
25.) Shell ( black ) ( tender )( Southern )( # 1841 )	GA-1200114	*85.00			
Shell ( black ) ( tender )( Erie )( # 120 )	GA-1200115	*85.00			
Shell ( black ) ( tender )( CB&Q )( # 541 )	GA-1200116	*85.00			
Shell ( black ) ( tender )( B&M )( # 613 )	GA-1200117	*85.00			
26.) Handrail ( nickel ) ( 39.0mm long )( hook on one end )( both sides )	GA-1200118	1.00			
27.) Bracket ( black ) ( speaker )( metal )( 9.0x9.5mm )( 5.0mm step ) ( rounded corners by mounting hole )	IH-0000157	1.00			

\*Requires Exchange  
All parts are priced as each

# 0-8-0 Switch Engine Tender Parts

