

RAILKING[®]
By M.T.H. Electric Trains

30-1179-1

30-1180-1

Camelback 4-6-0



GL112701



Camelback Steam Engine

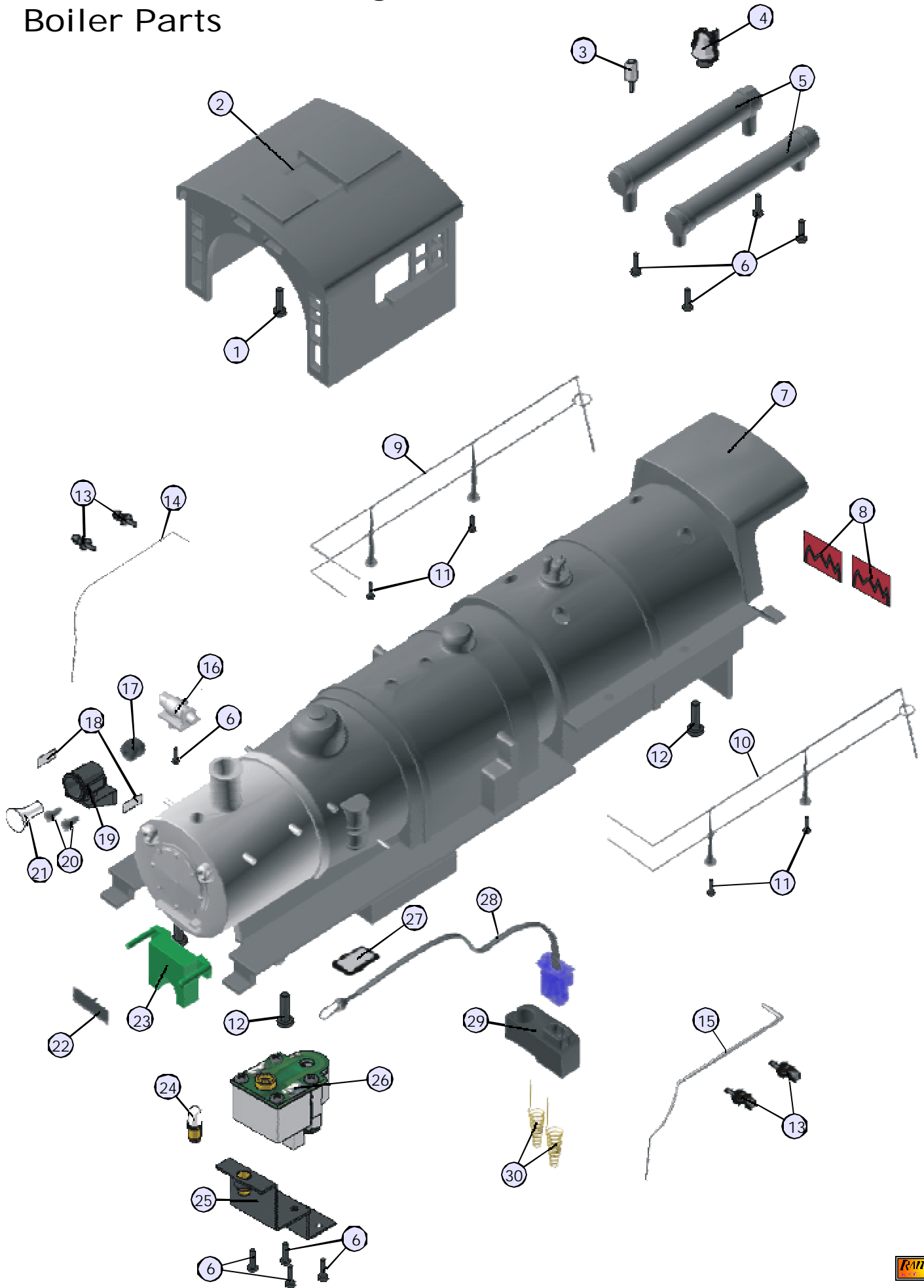
Boiler Parts

NameandNumber	Part #	\$Price PerUnit	NameandNumber	Part #	\$Price PerUnit
1.) Screw (4/40x6.0mm)(washerhead)	IA-0000028	0.15	26.) Smokeunit(Proto-Sound2.0®)AA-0000034		50.00
2.) Cab(black) (Lackawanna)(#1024)	FB-1200281	*30.00	(6.8x8.0x2.1x3.9mmbrasscup)(7.5mmlongposts)		
Cab(green) (P.R.R.)(#820)	FB-1200282	*30.00	27.) Wirestrap(white)	IH-0000103	1.00
3.) Whistle(brass)	FB-1200283	4.00	28.) Bulb(clear)(6v)(1) (150.0mmlongwiresw/bluemale2pinplug)	CA-0000056	3.00
4.) Bell(brassbell,blackbracket)	FB-1200284	10.00	(grainofwheat)(headlight)		
5.) Airtank(black) (Lackawanna)(#1024)	FB-1200087	10.00	29.) Contactspringbase(black) (plastic)	BH-0000001	2.00
Airtank(green) (P.R.R.)(#820)	FB-1200285	10.00	30.) Contactspring(copper)	IE-0000015	0.50
6.) Screw (4/40x6.0mm)(roundhead)	IA-0000003	0.15			
7.) Shell(black&graphite) (Lackawanna)(#1024)	FB-1200286	*120.00			
Shell(green&graphite) (P.R.R.)(#820)	FB-1200287	*120.00			
8.) Lens(red)(fireboxglow)	FA-0000077	2.00			
9.) Handrail(nickel&black) (w/stanchions)(boiler)(right)(Lackawanna)(#1024)	FB-1210023	5.00			
Handrail(nickel&green) (w/stanchions)(boiler)(right)(P.R.R.)(#820)	FB-1210053	5.00			
10.) Handrail(nickel&black) (w/stanchions)(boiler)(left)(Lackawanna)(#1024)	FB-1220023	5.00			
Handrail(nickel&green) (w/stanchions)(boiler)(left)(P.R.R.)(#820)	FB-1220060	5.00			
11.) Screw (M2x4.0mm)(washerhead)	IA-0000080	0.15			
12.) Screw (6/32x8.0mm)(roundhead)	IA-0000050	0.15			
13.) Stanchion (black) (5.0mmlong)(plastic)(Lackawanna)(#1024)	FB-1200216	0.50			
Stanchion (green) (5.0mmlong)(plastic)(P.R.R.)(#820)	FB-1200288	0.50			
14.) Handrail(nickel) (right)(boiler)	FB-1210024	1.00			
15.) Handrail(nickel) (left)(boiler)	FB-1220024	1.00			
16.) Steamgenerator(graphite)	FB-1200289	6.00			
17.) Grommet(black) (4.5x5.0mm)(rubber)	IH-0000010	0.15			
18.) Numberboard(#1024) (sticker)(blackw/white#'s)(Lackawanna)(#1024)	FG-1200014	1.00			
Numberboard(#820) (sticker)(blackw/white#'s)(P.R.R.)(#820)	FG-1200015	1.00			
19.) Headlighthousing(black) (Lackawanna)(#1024)	FB-1230006	12.00			
Headlighthousing(green) (P.R.R.)(#820)	FB-1230001	12.00			
20.) Screw (M2x4.0mm)(roundhead)	IA-0000058	0.15			
21.) Lens(clear) (headlight)(3.4x6.0x7.0mm)(taperedlenshead)	FA-1230004	2.00			
22.) Numberplate(black) (Lackawanna)(#1024)	FB-1200290	6.00			
Numberplate(green) (P.R.R.)(#820)	FB-1200291	6.00			
23.) Lens(green)(markerlight)	FA-1230024	3.00			
24.) Bulb(clear) (6v)(smallglobe)(screwbase)	CA-0000038	1.00			
25.) Bracket(black)(lightbulb) (19.5x31.0x45.0mm)(21.4mm&6.4mmsteps)	IH-0000293	4.00			

*RequiresExchange
Allpartsarepricedaseach



Camelback Steam Engine Boiler Parts



Camelback Steam Engine

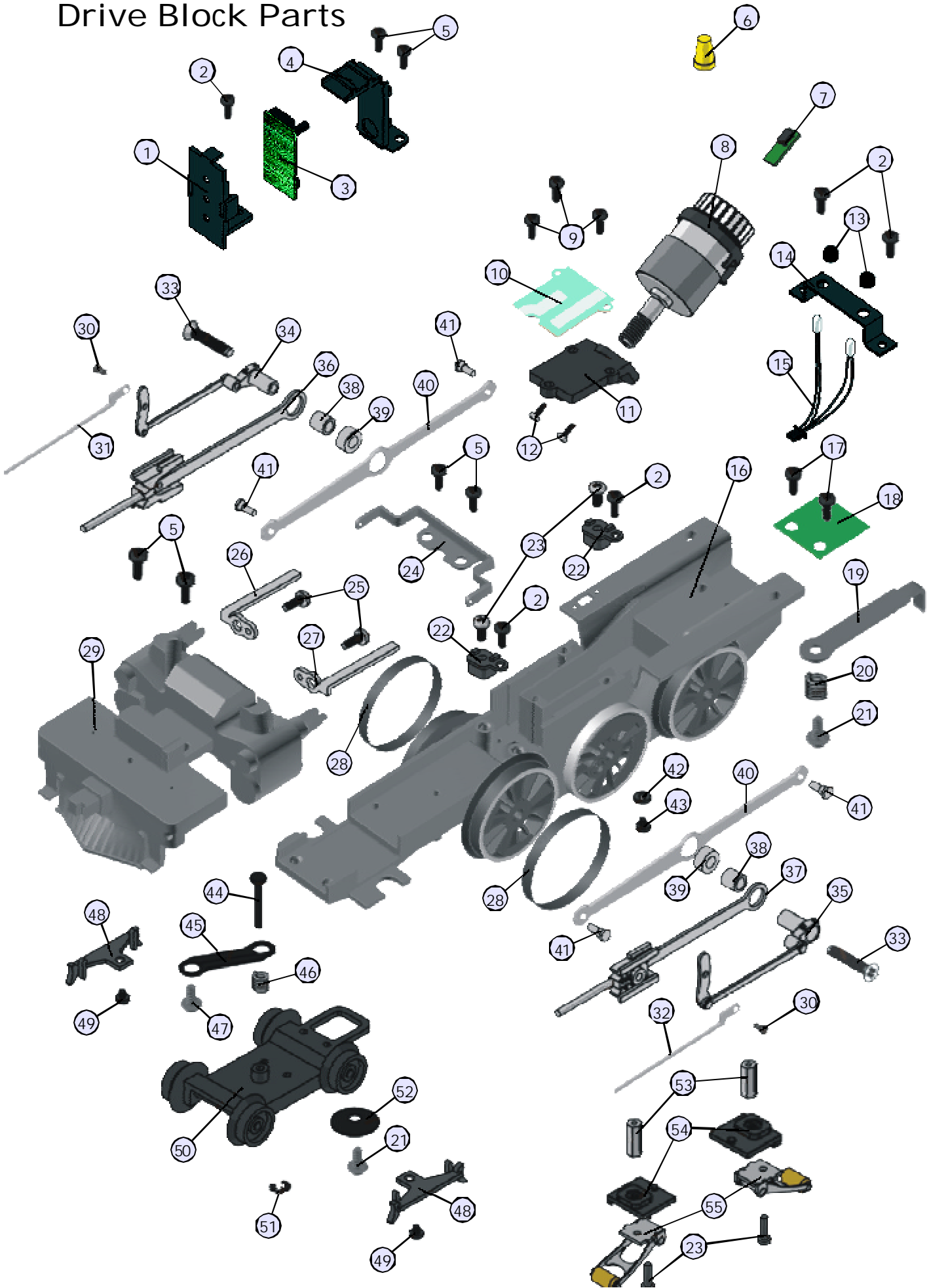
Drive Block Parts

Name and Number	Part #	\$Price Per Unit	Name and Number	Part #	\$Price Per Unit
1.) Bracket(black)(plastic)(10.1x21.7x20.4x44.0mm) (formountingformountingmuxboard)	IH-0000296	3.00	33.) Screw(nickel)(M3x16.0mm)(flathead)	IA-0000052	0.15
2.) Screw(4/40x6.0mm)(roundhead)	IA-0000003	0.15	34.) Eccentricassembly(nickel)(right)	ED-1210019	5.00
3.) Muxboard(green)(19.0x37.0mm)(w/blackfemale6pinplug) (w/blackfemale7pinplug)	AG-0000059	*20.00	35.) Eccentricassembly(nickel)(left)	ED-1220019	5.00
4.) Bracket(black)(metal)(22.0x15.5x33.0mm)(39.6mmstep) (4tabsforholdingwires)	IH-0000297	4.00	36.) Driverod(nickel)(right)	EC-1210017	5.00
5.) Screw(6/32x8.0mm)(roundhead)	IA-0000050	0.15	37.) Driverod(nickel)(left)	EC-1220017	5.00
6.) Wirenut(yellow)	BI-4500003	0.25	38.) Sleeve(nickel)(inner)(5.3x6.5x7.8)	ID-0000058	1.00
7.) Tachboard(green)	AG-0000033	6.00	39.) Sleeve(nickel)(outer)(6.8x10.0x4.4)	ID-0000059	1.00
8.) Motor(RS-385PH)(6.4x28.5mmwormgearw/17.0mmøngthreads) (11.0x30.0mmwhiteflywheelw/blackstripes) (w/tachboardmount)	BE-0000101	25.00	40.) Siderod(nickel)	EC-1250014	3.00
9.) Screw(6/32x12.0mm)(roundhead)	IA-0000103	0.15	41.) Bolt(nickel)(M3x9.4mm)(4.0x2.5mmshank)(5.0mmhexhead)	IA-0000054	1.00
10.) Contactspringboard	BH-0000058	3.00	42.) Washer(black)(3.0x6.0x0.4mm)(fiber)	ID-0000040	0.15
11.) Motormount(black)	BI-0000030	15.00	43.) Screw(6/32x4.0mm)(roundhead)	IA-0000060	0.15
12.) Screw(yellowZink)(M2.5x6.0mm)(roundheadw/lockwasher)	IA-0000089	0.15	44.) Pin(black)(3.0x13.5mm)(1.4x6.0mmroundedhead) (1e-clipgroove0.5mmoutfromend)	IG-0000048	0.50
13.) Grommet(black)(4.5x5.0mm)(rubber)	IH-0000010	0.15	45.) Bracket(black)(leadtruck)(7.0x39.0mm)(1.0mmthick)(6.0mmstep)	IH-0000299	1.00
14.) Bracket(black)(metal)(8.5x46.6mm)(10.0mmstep) (formountingfireboxglowbulbs)	IH-0000298	3.00	46.) Spring(nickel)(6.5x11.0x12.0mm)(w/0.6mmthickwire)	IE-0000072	0.50
15.) Bulbs(clear)(6v)(2)(35.0mmlongwiresw/blackmale2pinplug) (grainofwheat)(fireboxglow)	CG-0000045	3.00	47.) Screw(4/40x6.0mm)(washerhead)	IA-0000028	0.15
16.) Driveblock(black)(3axle)(Proto-Sound® 2.0)	DF-1200045	*75.00	48.) Brakeassembly(black)(leadtruck)(2axle)	FB-1200292	5.00
17.) Screw(6/32x6.0mm)(roundhead)	IA-0000027	0.15	49.) Screw(4/40x6.0mm)(flathead)	IA-0000038	0.15
18.) PCboard(green)(10pinfemaleplug)(20.5x24.2mm)	AG-0000045	8.00	50.) Truck(black)(lead)(2axle)(43.0mmlongwheelbase) (w/16.4x32.5mmmountingbracket)(3.2mmstep)	DA-1230035	15.00
19.) Drawbar(black)(boiler)(39.4mmlong)	FB-1200094	3.00	51.) E-clip(2.5x6.0x0.5mm)	IF-0000004	0.15
20.) Spring(nickel)(6.5x10.0mm)(w/0.6mmthickwire)	IE-0000061	0.50	52.) Spacer(black)(3.5x15.0x2.5mm)(metal)(cupped)	ID-0000014	1.00
21.) Screw(6/32x6.0mm)(washerhead)	IA-0000214	0.15	53.) Nut(nickel)(2.5x5.0x10.0mm)	IC-0000005	0.50
22.) Insulator(black)(top)(square)(pick-up)	BD-0000026	2.00	54.) Insulator(black)(pick-up)(bottom)(plastic)	BD-0000001	2.00
23.) Screw(nickel)(M3x6.0mm)(roundhead)	IA-0000015	0.15	55.) Pick-up(8.0x11.0mmroller)(28.0mmlong)	BD-0000048	5.00
24.) Motionhanger(black)(stampedmetal)	EA-1200008	4.00	NS.) Wireharness(20.6x24.5mmPCboardw/blackfemale10pinplug)	BC-1200145	20.00
25.) Screw(nickel)(6/32x6.0mm)(roundhead)	IA-0000051	0.15	NS.) Wireharness(75.0mmlongwiresw/redmale2pinplug)	BC-1200146	3.00
26.) Driverodguide(right)	EA-1210006	3.00	NS.) Wireharness(75.0mmlongwiresw/greenmale2pinplug)	BC-1200147	3.00
27.) Driverodguide(left)	EA-1220006	3.00	NS.) Wireharness(100.0mmlongwiresw/yellowmale2pinplug)	BC-1200148	3.00
28.) Tractiontire(black)(rubber)	DE-0000027	0.75			
29.) Pilot/steamchest(black)	DG-1230010	40.00			
29.) Pilot/steamchest(green)	DG-1230019	40.00			
30.) Screw(M2x5.0mm)(w/2.5mmundersizedshank)(roundhead)	IA-0000119	0.15			
31.) Eccentricrod(right)	ED-1210018	1.00			
32.) Eccentricrod(left)	ED-1220018	1.00			

*RequiresExchange
Allpartsarepricedaseach



Camelback Steam Engine Drive Block Parts



Camelback Steam Engine

Tender Parts

Name and Number	Part #	\$Price Per Unit	Name and Number	Part #	\$Price Per Unit
1.) Lens (clear) (3.4x6.0x7.0mm) (headlight/back-up light) (tapered lens head)	FA-1230004	2.00	30.) Voltage regulator (LM2937ET)	AG-0000032	3.00
2.) Back-up lighthouse (black) (Lackawanna) (#1024)	GA-1240002	12.00	31.) Insulator (clear) (13.0x19.0x0.1mm) (single hole)	ID-0000024	0.15
Back-up lighthouse (green) (P.R.R.) (#820)	GA-1240001	12.00	32.) Wire harness (black male 10 pin angled plug)	BC-1200149	20.00
3.) Number board (#1024) (sticker) (black w/white #'s) (Lackawanna) (#1024)	FG-1200014	1.00	33.) Drawbar (black) (tender)	GA-1200042	3.00
Number board (#820) (sticker) (black w/white #'s) (P.R.R.) (#820)	FG-1200015	1.00	34.) Screw (6/32x6.0mm) (washer head)	IA-0000214	0.15
4.) Screw (4/40x6.0mm) (round head)	IA-0000003	0.15	35.) Truck (black) (tender) (2 axle) (screw hole stepped out for drawbar)	DA-1230016	30.00
5.) Wire strap (white)	IH-0000103	1.00	36.) T-bar (black) (plastic)	IG-0000001	0.50
6.) Bulb (clear) (6v) (110.0mm long wires w/green male 2 pin plug) (grain of wheat) (back-up light)	CF-0000010	3.00	37.) Proto-Coupler (Proto-Sound® 2.0) (44.5mm long)	DD-0000033	10.00
7.) Handrail (nickel) (38.5mm long)	GA-1200039	1.00	38.) Spring (nickel) (6.5x14.0mm) (0.5mm thick wire)	IE-0000022	0.50
8.) Shell (black w/yellow letters) (tender) (Lackawanna) (Lackawanna) (#1024)	GA-1200119	*85.00	39.) Washer (4.5x10.0x6.0mm)	ID-0000009	0.15
Shell (green w/gold letters) (tender) (P.R.R.) (P.R.R.) (#820)	GA-1200120	*85.00	40.) E-clip (3.0x8.0x0.5mm)	IF-0000001	0.15
9.) Screw (6/32x8.0mm) (round head)	IA-0000050	0.15			
10.) Screw (M3x10.0mm) (round head)	IA-0000110	0.15			
11.) Speaker cone (black) (plastic) (41.5x54.5x6.5mm) (3 mounting tabs) (cut out in center)	BF-0000017	3.00			
12.) Speaker (50.0mm speaker) (STAR) (PR-050-A111) (16ohms) (MAX 2W)	BF-0000007	8.95			
13.) Gasket (black) (43.8x49.8x3.0mm) (foam)	IB-0000009	0.50			
14.) Screw (4/40x18.0mm) (round head)	IA-0000094	0.15			
15.) Boards (Proto-Sound® 2.0)	AE-0000001	*200.00			
16.) Screw (M3x8.0mm) (round head)	IA-0000035	0.15			
17.) Volume pot (small) (blue w/green board)	BI-0000040	5.00			
18.) Spacer (black) (3.0x6.0x4.3mm) (plastic)	ID-0000071	0.15			
19.) Bracket (Aluminum) (15.0x44.0mm) (10.0mm step) (tapped for 4/40 screws) (for Proto-Sound® 2.0 boards)	IH-0000300	4.00			
20.) Screw (M2x4.0mm) (round head)	IA-0000058	0.15			
21.) Switch (small)	BB-0000009	5.00			
22.) Chassis (black) (tender) (60.0x153.0mm) (for Proto-Sound® 2.0)	GB-1200057	*15.00			
23.) Bracket (black) (plastic) (for holdings square mux board)	IH-0000301	4.00			
24.) Screw (M3x4.0mm) (round head)	IA-0000010	0.15			
25.) Mux board (green) (w/black female 9 pin plug) (21.6x21.6mm)	AG-0000060	*15.00			
26.) Bracket (black) (battery) (vertical mount) (plastic)	IH-0000042	4.00			
27.) Battery leads (90.0mm long wires w/black small male 2 pin plug)	BC-0000117	3.00			
28.) Battery (8.4 volts) (re-chargeable) (nickel-cadium)	BG-4000001	10.00			
29.) Insulator (white) (washer) (3.0x6.0x3.0mm) (plastic)	ID-0000025	0.15			

*Requires Exchange
All parts are priced as each



Camelback Steam Engine Tender Parts

