



## **2-8-8-8-2 TRIPLEX**

**20-3360-1**

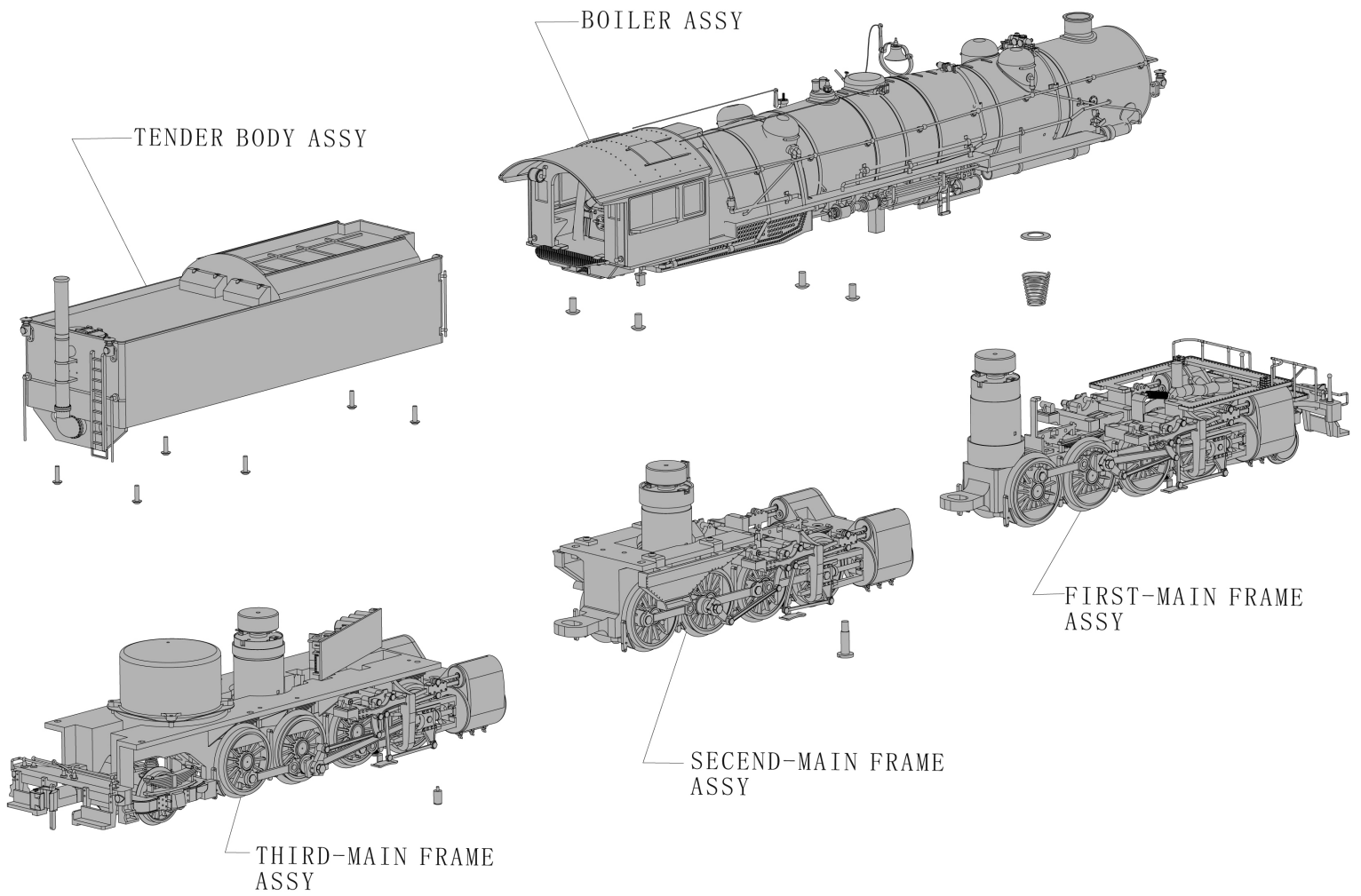
**20-3361-1**

**20-3362-1**

**PARTS LIST & EXPLODED VIEW**

REV. 6.2015

# 2-8-8-8-2 TRIPLEX STEAM ENGINE



# PARTS LIST: 2-8-8-8-2 TRIPLEX BOILER ASSY PARTS



1.) CHECK VALVE ASSY		
CHECK VALVE(FRONT)	<a href="#">NWG009-M008</a>	
C/VALVE PIPE FRONT(RIGHT)	<a href="#">NWG009-M090</a>	
C/VALVE PIPE FRONT(LEFT)	<a href="#">NWG009-M091</a>	
PIPE HANGER-E	<a href="#">NWG009-M023</a>	
2.) BELL ASSY BELL	<a href="#">NWG009-M093</a>	
BELL YORK	<a href="#">NWG009-M010</a>	
BELL BASE	<a href="#">NWG009-M011</a>	
BELL WIRE	<a href="#">NWG009-M094</a>	
PIPE HANGER-C	<a href="#">NWG009-M021</a>	
3.) SAND VALVE	<a href="#">NWG009-M004</a>	
4.) PIPE DETAIL RIGHT(C)	<a href="#">NWG009-M124</a>	
PIPE HANGER-F	<a href="#">NWG009-M024</a>	
5.) SAND VALVE	<a href="#">NWG009-M006</a>	
6.) PIPE DETAIL RIGHT (E)	<a href="#">NWG009-M101</a>	
7.) PIPE DETAIL RIGHT (D)	<a href="#">NWG009-M100</a>	
8.) HANDRAIL ASSY		
SIDE HANDRAIL LEFT	<a href="#">NWG009-M127</a>	
HANDRAIL POST(A)(BOILER)	<a href="#">NWG009-16-03</a>	
9.) PIPE ASSY PIPE DETAIL(J)	<a href="#">NWG009-M104</a>	
PIPE HANGER-E	<a href="#">NWG009-M023</a>	
PUMP GOVERNER	<a href="#">NWG009-M031</a>	
10.) WHISTLE ASSY WHISTLE	<a href="#">NWG009-M032</a>	
WHISTLE(A)	<a href="#">NWG009-M033</a>	
WHISTLE WIRE	<a href="#">NWG009-M095</a>	
11.) PIPE DETAIL ASSY PIPE DETAIL RIGHT (K)	<a href="#">NWG009-M105</a>	
PIPE HANGER-H	<a href="#">NWG009-M026</a>	
12.) SAND DOME RAIL	<a href="#">NWG009-M039</a>	
13.) PIPE ASSY		
PIPE DETAIL (M)	<a href="#">NWG009-M107</a>	
PIPE HANGER-K	<a href="#">NWG009-M029</a>	
14.) DOME AUXILARY(POP VALVE)	<a href="#">NWG009-M007</a>	
15.) PIPE DETAIL(I)	<a href="#">NWG009-M103</a>	
16.) SCREW(PWM3.0X6.0)	<a href="#">SM3060SW</a>	
17.) SHELL		
18.) WINDER(CAB)	<a href="#">NWG009-15-01</a>	
19.) WINDER(CAB)(A)	<a href="#">NWG009-15-02</a>	
20.) HANDRAIL ASSY		
HANDRAIL (CAB)(REAR)	<a href="#">NWG009-M114</a>	
HANDRAIL POST(CAB)	<a href="#">NWG004-11</a>	
21.) WINDER(REAR)(CAB)	<a href="#">NWG009-X002</a>	
22.) WINDER(FRONT)(CAB)	<a href="#">NWG009-X001</a>	
23.) SMOKE UNIT(SMALL)	<a href="#">MD122S</a>	
24.) BRACKET(BATTERY)	<a href="#">MD900-31</a>	
25.) BRACKET(SMOKE)(SMALL)	<a href="#">NWG009-M112</a>	
26.) WHISTLE GASKET	<a href="#">NWG009-X003</a>	
27.) SCREW(PM2.6X4.0)	<a href="#">SM2640S</a>	
28.) SCREW(PM2.0X5.0)	<a href="#">SM2050S</a>	
29.) SCREW(PM3.0X8.0)	<a href="#">SD3080S</a>	
30.) SCREW(KB3.0X8.0)	<a href="#">SD3080S/F</a>	
31.) BATTARY(AA 1.2V X 2, 700MA)		
32.) PIPE ASSY		
PIPE DETAIL(B)	<a href="#">NWG009-M098</a>	
START VALVE	<a href="#">NWG009-M018</a>	
PIPE HANGER-C	<a href="#">NWG009-M021</a>	
33.) DAMPER CONTROL	<a href="#">NWG009-M012</a>	
34.) PIPE ASSY		
C/VALVE PIPE REAR	<a href="#">NWG009-M092</a>	
CHECK VALVE(REAR)	<a href="#">NWG009-M009</a>	
PIPE HANGER-C	<a href="#">NWG009-M021</a>	
35.) HANDRAIL ASSY		
HANDRAIL(SIDE)(RIGHT)	<a href="#">NWG009-M096</a>	
HANDRAIL POST(A)(BOILER)	<a href="#">NWG009-16-03</a>	
36.) PIPE DETAIL LEFT(E)	<a href="#">NWG009-M126</a>	
37.) PIPE DETAIL LEFT(D)	<a href="#">NWG009-M125</a>	
38.) WIRENESS(6V40MA H/L W/CONN)	<a href="#">NWG009-W008</a>	
39.) MAGNET	<a href="#">NG001-G6</a>	
40.) SCREW(PB3.0X8.0)	<a href="#">SD3080S</a>	
41.) MAGNET PLATE	<a href="#">NWG009-M135</a>	
42.) SMOKE BOX DOOR ASSY	<a href="#">NWG009-E302</a>	
SMOKE BOX FRAME	<a href="#">NWG009-20-02</a>	
SMOKE BOX DOOR	<a href="#">NWG009-20-03</a>	
SMOKE BOX HINGE	<a href="#">NWG009-16-02</a>	
43.) MARKER LIGHT LENS	<a href="#">NWG009-15-03</a>	
44.) LIGHT(MAR)(LEFT)	<a href="#">NWG009-M047</a>	
45.) LIGHT(MAR)(RIGHT)	<a href="#">NWG009-M042</a>	
46.) SCREW(PB2.0X5.0,D=3.0)	<a href="#">SD2050S</a>	
47.) BRACKET(HEAD LIGHT)	<a href="#">NWG009-046</a>	
48.) LENS(HEAD LIGHT)	<a href="#">NWG004-08</a>	
49.) HANDRAIL POST	<a href="#">NWG004-11</a>	
50.) SWITCH PANEL	<a href="#">GM002-45</a>	
51.) CONTROL(SOUND)(LEFT)		
CONTROL(SMOKE)(RIGHT)		
52.) SCREW(PB3.0X5.0)	<a href="#">SD3050S</a>	
53.) PCB(2-PIN)		
54.) SCREW(PB2.6X5.0)	<a href="#">SD2650S</a>	
55.) SMOKE UNIT	<a href="#">NG001</a>	
56.) SMOKE ADIABATIC COVER	<a href="#">NWG009-33-02</a>	
57.) SCREW(PB3.0X8.0)	<a href="#">SD3080S</a>	
58.) SCREW(PB3.0X5.0)	<a href="#">PB3050S</a>	
59.) BRACKET	<a href="#">NWG009-M059</a>	
60.) SCREW(PB3.0X6.0)	<a href="#">SM3060S</a>	
61.) BAFFLE BOARD	<a href="#">NWG009-32-01</a>	
62.) SCREW(KM3.0X6.0)	<a href="#">SM3060F/S</a>	
63.) WIRENESS(4-PIN)	<a href="#">NWG009-W021</a>	
64.) SCREW(PB3.0X10.0)	<a href="#">SD3010S</a>	
65.) BULB ASSY		
BULB	<a href="#">LD-RS</a>	
SOCKET	<a href="#">LH906</a>	
66.) BRACKET(BULB)	<a href="#">GM002-M28</a>	
67.) SCREW(PB3.0X8.0)	<a href="#">SD3080S</a>	
68.) BRACKET(FIRE)	<a href="#">NWG009-X007</a>	
69.) BULB GUIDE	<a href="#">NG001-M81</a>	
70.) WIRENESS(6V40MA H/L W/CONN)	<a href="#">NWG009-W010</a>	
71.) AIR PUMP	<a href="#">NWG009-31-01</a>	
72.) BRACKET(AIR)	<a href="#">NWG009-M013</a>	
73.) SCREW(PB3.0X6.0)	<a href="#">SD3060S</a>	
74.) DCS BASE	<a href="#">GM002-M34</a>	
75.) SCREW(PWM3.0X8.0)	<a href="#">SM3080SW</a>	
76.) INSULATION	<a href="#">NWG009-26-05</a>	
77.) BOARDS		

# PARTS LIST: 2-8-8-8-2 TRIPLEX BOILER ASSY PARTS



78.)	PROTO SOUND3.0/DSC PS2.0 3V BOARDS(BOTTOM)	
79.)	WIRENESS(6V40MA H/L W/CONN)	<a href="#">NWG009-W008</a>
80.)	BOARD(CHANGE)	
81.)	SCREW(PB3.0X16.0)	<a href="#">SD30160</a>
82.)	AIR PUMP BASE	<a href="#">NWG009-27-01</a>
83.)	PIPE ASSY PIPE DETAIL(L)	<a href="#">NWG009-M106</a>
	PIPE HANGER-D	<a href="#">NWG009-M022</a>
84.)	PIPE ASSY COOLING PIPE-LEFT #1	<a href="#">NWG009-M108</a>
	PIPE HANGER-B	<a href="#">NWG009-M020</a>
85.)	BOILER UNDER BODY	<a href="#">NWG009-11-01</a>
86.)	PIPE ASSY COOLING PIPE-RIGHT #1	<a href="#">NWG009-M128</a>
	PIPE HANGER-A	<a href="#">NWG009-M019</a>
87.)	PIPE ASSY PIPE DETAIL(A)	<a href="#">NWG009-M097</a>
	PIPE HANGER-L	<a href="#">NWG009-M030</a>
	PIPE HANGER-J	<a href="#">NWG009-M028</a>
88.)	SCREW(PB2.6X6.0)	<a href="#">SD2660S</a>
89.)	APRON APRON HINGE	<a href="#">NWG009-26-01</a> <a href="#">NWG009-26-02</a>
90.)	SCREW(PWA3.0X6.0) S	<a href="#">D3060S</a>
91.)	SCREW(PB3.0X6.0)	<a href="#">SM3060S</a>
92.)	PCB(10-PIN)	<a href="#">NWG009-PCB05</a>
93.)	COVER(PCB 10PIN)	<a href="#">NWG009-M058</a>
94.)	SCREW(PB3.0X6.0)	<a href="#">SD3060S</a>
95.)	AIR TANK(LEFT)(REAR)	<a href="#">NWG009-24-02</a>
96.)	POWER REVERSE	<a href="#">NWG009-M15</a>
97.)	SCREW(PB3.0X8.0)	<a href="#">SD3080S</a>
98.)	AIR TANK(RIGHT)(REAR)	<a href="#">NWG009-25-02</a>
99.)	STEAM PIPE(LEFT)	<a href="#">NWG009-13-01</a>
100.)	STEAM PIPE(RIGHT)	<a href="#">NWG009-13-02</a>
101.)	AIR TANK(RIGHT)(FRONT)	<a href="#">NWG009-24-01</a>
102.)	AIR TANK(LEFT)(FRONT)	<a href="#">NWG009-25-01</a>
103.)	AIR TANK(CAB)	<a href="#">NWG009-M034</a>



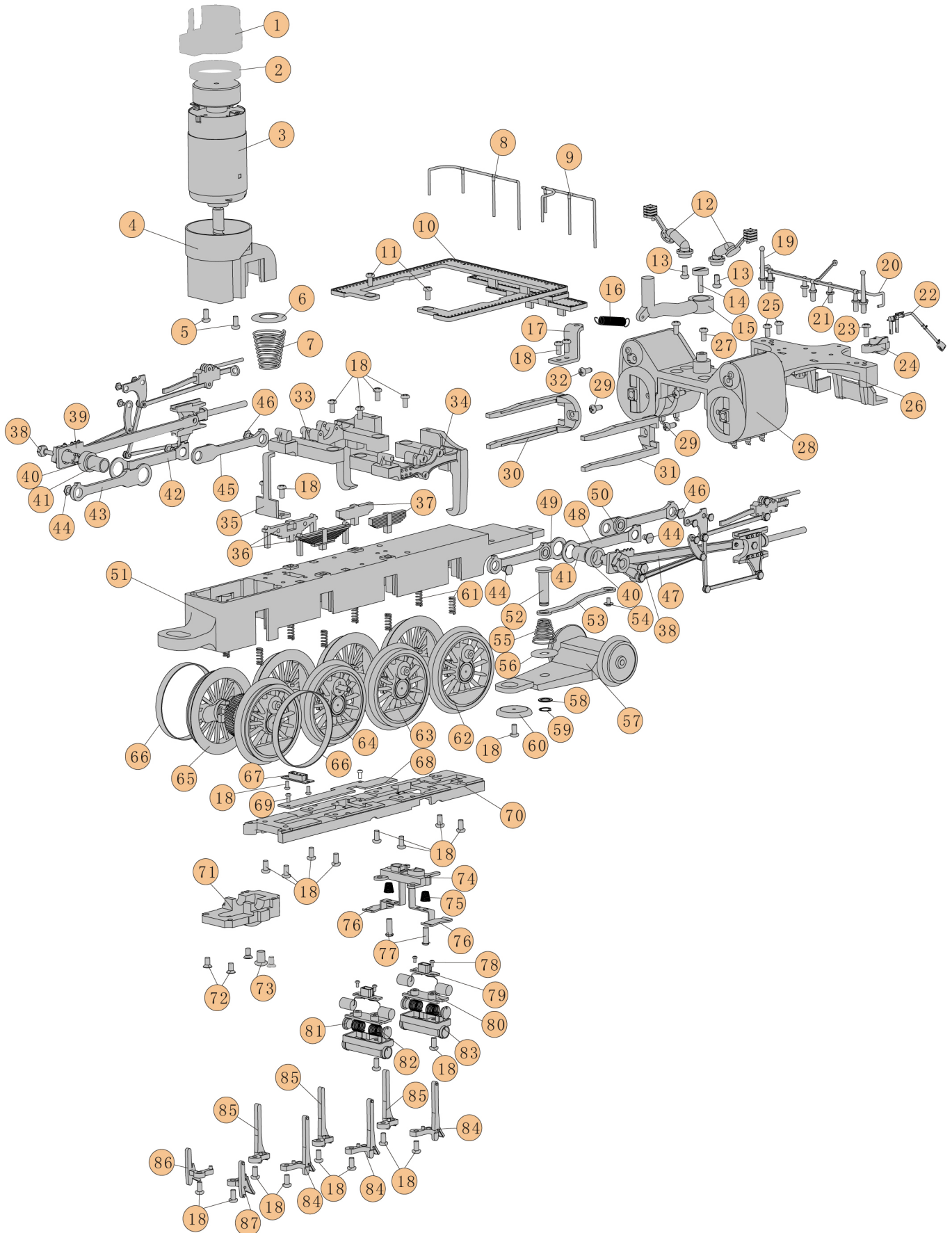


# PARTS LIST: 2-8-8-8-2 TRIPLEX FIRST MAIN FRAME ASSY



1.) TACHOMETER BRACKET	<a href="#">GM002-11</a>	53.) BAR(LT/CONTROL)	<a href="#">NWG009-M064</a>
2.) BUBBER BAND		54.) SCREW(PWB3.0X6.0)	<a href="#">SD3060SW</a>
3.) MOTOR(JOHNSON)	<a href="#">NG001-G16</a>	55.) SPRING	<a href="#">NG001-M61</a>
FLY WHEEL	<a href="#">GM002-M48</a>	56.) WASHER	
4.) MOTOR BASE	<a href="#">GM002-T1</a>	57.) LEADING TRUCK	<a href="#">NWG009-30-02</a>
5.) SCREW(M3.0XL6.0)	<a href="#">SM3060SW</a>	58.) WASHER	<a href="#">NG001-G3</a>
6.) WASHER	<a href="#">NWG009-M138</a>	59.) E-RING	<a href="#">NG001-G4</a>
7.) SPRING	<a href="#">NWG009-M121</a>	60.) WASHER	<a href="#">NG001-M6</a>
8.) HANDRAIL(FRONT)(LEFT)	<a href="#">NWG009-M150</a>	61.) SPRING(JOURNAL BEARING)(A)	<a href="#">NWG005-M24</a>
9.) HANDRAIL(FRONT)(RIGHT)	<a href="#">NWG009-M061</a>	62.) WHEEL ASSY	
10.) PILOT BECK	<a href="#">NWG009-30-01</a>	DRIVE WHEEL SHAFT	<a href="#">NWG009-M130</a>
11.) SCREW(KB3.0X8.0)	<a href="#">SD3080S/F</a>	D/WHEEL INSULATOR	<a href="#">NWG009-X005</a>
12.) CYLINDER STEAM PIPE	<a href="#">NWG009-M045</a>	WHELL TIRE(A)	<a href="#">NWG009-M053</a>
13.) SCREW(PM3.0X4.0)	<a href="#">SM3040S</a>	DRIVE WHEEL(1ST&4TH)	<a href="#">NWG009-T07-01</a>
14.) SCREW	<a href="#">NWG009-M145</a>	JOURNAL BEARING(A)	<a href="#">NWG005-03</a>
15.) CONTROL PIPE	<a href="#">NWG009-20-01</a>	63.) WHEEL ASSY	
16.) SPRING(STS Ø0.4)	<a href="#">NWG009-M087</a>	DRIVE WHEEL SHAFT	<a href="#">NWG009-M130</a>
17.) CONTROL PIPE HOLDER	<a href="#">NWG009-M048</a>	D/WHEEL INSULATOR	<a href="#">NWG009-X005</a>
18.) SCREW(PM3.0X6.0)	<a href="#">SM3060S</a>	WHELL TIRE(A)	<a href="#">NWG009-M053</a>
19.) PILOT POST	<a href="#">NWG009-16-01</a>	DRIVE WHEEL(2ND)	<a href="#">NWG009-T07-02</a>
20.) LIFTING RAIL	<a href="#">NWG009-M056</a>	JOURNAL BEARING(A)	<a href="#">NWG005-03</a>
UNCOUPLING LEVER	<a href="#">NWG009-M057</a>	64.) WHEEL ASSY	
CHAIN BAR	<a href="#">NG001-M3</a>	DRIVE WHEEL SHAFT	<a href="#">NWG009-M130</a>
21.) HANDRAIL(Ø1.5)	<a href="#">NWG009-M117</a>	D/WHEEL INSULATOR	<a href="#">NWG009-X005</a>
HANDRAIL POST(C)	<a href="#">NWG004-13</a>	WHELL TIRE(A)	<a href="#">NWG009-M053</a>
22.) AIR HOSE	<a href="#">NWG009-M132</a>	DRIVE WHEEL(3ND)	<a href="#">NWG009-T07-03</a>
23.) SCREW(M2.6X8.0)	<a href="#">SD2680S</a>	JOURNAL BEARING(A)	<a href="#">NWG005-03</a>
24.) COUPLER	<a href="#">GM002-16</a>	65.) WHEEL ASSY	
25.) SCREW(M3.0X8.0)	<a href="#">PW M3.0X8.0</a>	DRIVE WHEEL SHAFT(A)	<a href="#">NWG009-M131</a>
26.) PILOT (FRONT)	<a href="#">NWG009-14-01</a>	D/WHEEL INSULATOR	<a href="#">NWG009-X005</a>
27.) SCREW(PM4.0X10)	<a href="#">SM4010</a>	JOURNAL BEARING(B)	<a href="#">NWG005-04</a>
28.) CYLINDER BODY	<a href="#">NWG009-28-01</a>	HELICAL GEAR	<a href="#">NWG005-M34</a>
CYLINDER REAR-B	<a href="#">NWG009-19-02</a>	DRIVE WHEEL(1ST&4TH)	<a href="#">NWG009-T07-01</a>
29.) SCREW(PB3.0X12.0)	<a href="#">SD30120S</a>	WHELL TIRE(B)	<a href="#">NWG009-M054</a>
30.) CROSS HEAD GUIDE(E)(LEFT)	<a href="#">NWG009-T06-07</a>	66.) RUBBER TIRE	<a href="#">GM002-52</a>
31.) CROSS HEAD GUIDE(E)(RIGHT)	<a href="#">NWG009-T06-07</a>	67.) PCB(4PIN)	
32.) SCREW(PB3.0X8.0)	<a href="#">SD3080S</a>	68.) PCB(M/FRAME)(1ST)	<a href="#">NWG009-PCB01</a>
33.) MOTION HANGER(LEFT)	<a href="#">NWG009-18-01</a>	69.) SCREW(KM2.0X4.0)	<a href="#">SM2040S/FS</a>
34.) MOTION HANGER(RIGHT)	<a href="#">NWG009-18-02</a>	70.) MAIN FRAME(1ST)(UNDER)	<a href="#">NWG009-T05-01</a>
35.) FRONT M/FRAME HOLDER	<a href="#">NWG009-M049</a>	71.) GEAR BOX COVER(F)	<a href="#">NWG009-T03</a>
36.) M/F/DISK SPRING(B)	<a href="#">NG001-95</a>	72.) SCREW(KM3.0X10.0)	<a href="#">SM3010S/F</a>
37.) M/F/DISK SPRING(A)	<a href="#">NG001-94</a>	73.) SCREW(BM5.0X4.0)	<a href="#">SM5040S</a>
38.) SCREW(E/CRANK)	<a href="#">NWG005-M28</a>	74.) INSULATION(PICK UP) (A)	<a href="#">NWG009-27-03</a>
39.) ROD ASSY(LEFT)	<a href="#">NWG009-E105</a>	75.) SPRING(PICK UP)	<a href="#">GM002-M77</a>
40.) BUSHING	<a href="#">NWG009-M082</a>	76.) SHOE(PICK UP)	<a href="#">NWG005-M36</a>
41.) WASHER	<a href="#">NWG009-M083</a>	77.) PIN(SPRING)	<a href="#">GM002-M52</a>
42.) MAIN ROD(LEFT)	<a href="#">NWG009-M072</a>	78.) SCREW(PM3.0X6.0)	<a href="#">SM3060S</a>
43.) SIDE ROD (THIRD)(LEFT)	<a href="#">NWG009-M070</a>	79.) PCB(2-PIN)	<a href="#">EBG002-B</a>
44.) SCREW (SIDE ROD)(A)	<a href="#">NWG009-M33</a>	CARBON BRUSH	<a href="#">NG001-M77</a>
45.) SIDE ROD(FIRST)(LEFT)	<a href="#">NWG009-M066</a>	80.) PICK UP CASE COVER	<a href="#">NG001-142</a>
46.) SCREW (SIDE ROD)(B)	<a href="#">NWG009-M039</a>	81.) INSULATION WASHER	<a href="#">NG001-143</a>
47.) ROD ASSY(RIGHT)		82.) SPRING(F0.3)	<a href="#">NG001-M84A</a>
48.) SIDE ROD( SECOND RIGHT)	<a href="#">NWG009-M069</a>	83.) PICK UP CASE	<a href="#">NG001-141</a>
49.) SIDE ROD(THIRD)(RIGHT)	<a href="#">NWG009-M071</a>	84.) BRAKE SHOE(2ND&3RD)(R)	<a href="#">NWG001-75</a>
50.) SIDE ROD(FIRST)(RIGHT)	<a href="#">NWG009-M067</a>	85.) BRAKE SHOE(2ND&3RD)(L)	<a href="#">NWG001-75</a>
51.) MAIN FRAME(1ST)	<a href="#">NWG009-T01-01</a>	86.) BRAKE SHOE(4TH)(L)	<a href="#">NWG001-77</a>
52.) PIN(LT/CONTROL)	<a href="#">NWG009-M065</a>	87.) BRAKE SHOE(4TH)(R)	<a href="#">NWG001-77</a>

# EXPLODED VIEW: 2-8-8-8-2 TRIPLEX FIRST MAIN FRAME ASSY



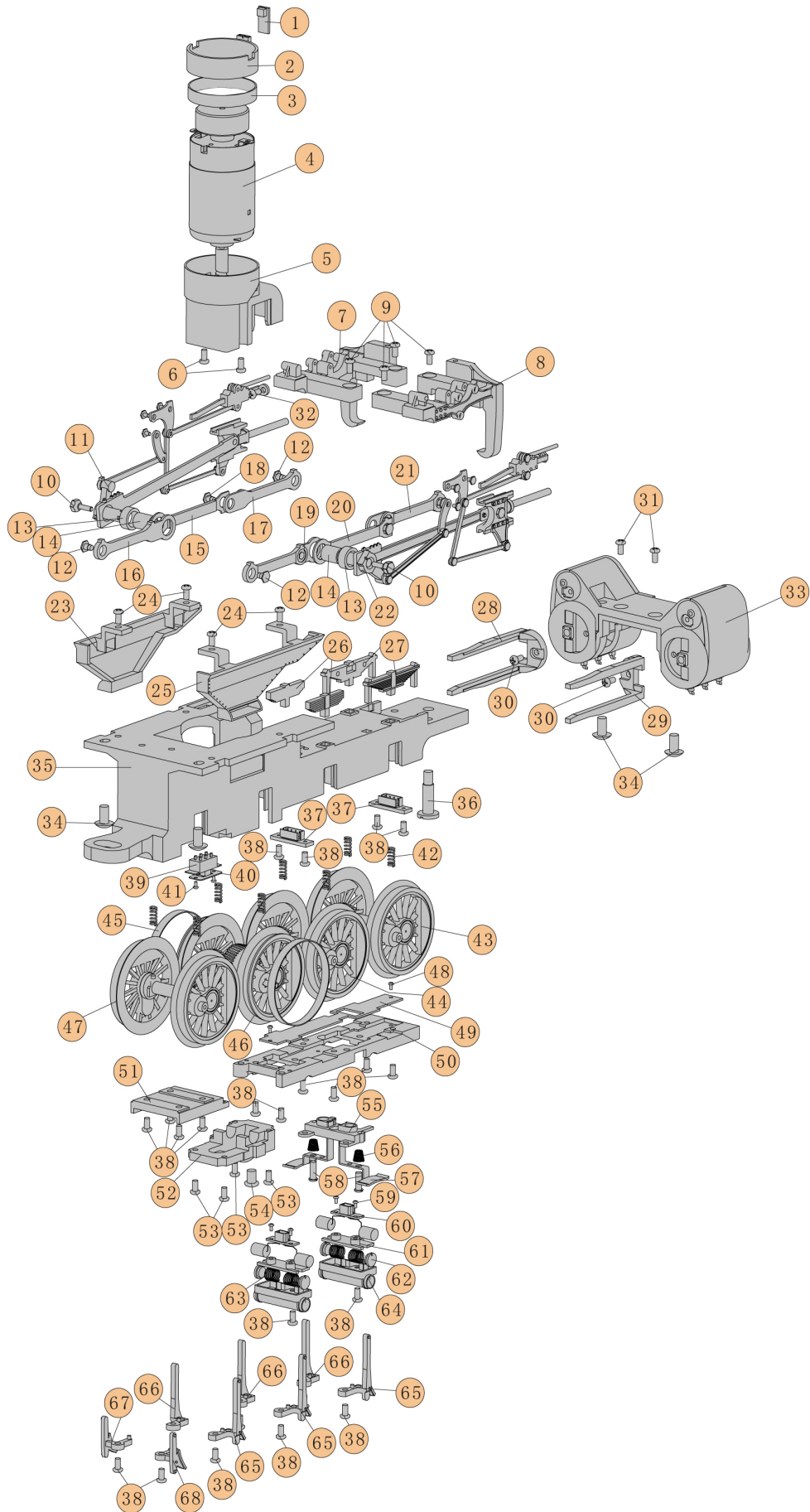
# PARTS LIST: 2-8-8-8-2 TRIPLEX SECOND MAIN FRAME ASSY



1.) TACHOMETER SPACER(B)	<a href="#">GM002-55</a>	45.) RUBBER BAND	
2.) TACHOMETER BRACKET	<a href="#">GM002-11</a>	46.) WHEEL ASSY	
3.) RUBBER BAND		DRIVE WHEEL SHAFT(A)	<a href="#">NWG009-M131</a>
4.) MOTOR (JOHNSON)	<a href="#">NG001-G17</a>	D/WHEEL INSULATOR	<a href="#">NWG009-X005</a>
FLY WHEEL	<a href="#">GM002-M49</a>	JOURNAL BEARING(B)	<a href="#">NWG005-04</a>
5.) MOTOR BASE	<a href="#">GM002-T1</a>	HELICAL GEAR	<a href="#">NWG005-M34</a>
6.) SCREW(M3.0XL6.0)	<a href="#">SM3060SW</a>	DRIVE WHEEL(3RD)	<a href="#">NWG009-T03-01</a>
7.) MOTION HANGER(LEFT)	<a href="#">NWG009-18-01</a>	WHELL TIRE(B)	<a href="#">NWG009-M054</a>
8.) MOTION HANGER(RIGHT)	<a href="#">NWG009-18-02</a>	47.) WHEEL ASSY	
9.) SCREW(PM3.0X6.0)	<a href="#">SM3060S</a>	DRIVE WHEEL SHAFT	<a href="#">NWG009-M130</a>
10.) SCREW(E/CRANK)	<a href="#">NWG005-M28</a>	D/WHEEL INSULATOR	<a href="#">NWG009-X005</a>
11.) ROD ASSY(LEFT)	<a href="#">NWG009-E105</a>	WHELL TIRE(A)	<a href="#">NWG009-M053</a>
12.) SCREW (SIDE ROD)(A)	<a href="#">NWG009-M33</a>	DRIVE WHEEL(1ST&4TH)	<a href="#">NWG009-T07-01</a>
13.) BUSHING	<a href="#">NWG009-M082</a>	JOURNAL BEARING(A)	<a href="#">NWG005-03</a>
14.) WASHER	<a href="#">NWG009-M083</a>	48.) SCREW(KM2.0X4.0)	<a href="#">SM2040FS</a>
15.) MAIN ROD(LEFT)	<a href="#">NWG009-M072</a>	49.) M/FRAM(2ND)-PCB	<a href="#">NWG009-PCB02</a>
16.) SIDE ROD (THIRD)(LEFT)	<a href="#">NWG009-M070</a>	50.) MAIN FRAME(2ND)(UNDER)	<a href="#">NWG009-T04-01</a>
17.) SIDE ROD(FIRST)(LEFT)	<a href="#">NWG009-M066</a>	51.) MAIN FRAM(2ND)(UNDER)(A)	<a href="#">NWG009-T05-02</a>
18.) SCREW (SIDE ROD)(B)	<a href="#">NWG009-M039</a>	52.) GEAR BOX COVER(F)	<a href="#">NWG005-T3</a>
19.) SIDE ROD(THIRD)(RIGHT)	<a href="#">NWG009-M071</a>	53.) SCREW(KM3.0X10.0)	<a href="#">SM3010S/F</a>
20.) SIDE ROD( SECOND RIGHT)	<a href="#">NWG009-M069</a>	54.) SCREW(BM5.0X4.0)	<a href="#">SM5040S</a>
21.) SIDE ROD(FIRST)(RIGHT)	<a href="#">NWG009-M067</a>	55.) INSULATION(PICK UP) (A)	<a href="#">NWG009-27-03</a>
22.) ROD ASSY(RIGHT)		56.) SPRING(PICK UP)	<a href="#">GM002-M77</a>
23.) ASH PAN(LEFT)	<a href="#">NWG009-12-01</a>	57.) SHOE(PICK UP)	<a href="#">NWG005-M36</a>
24.) SCREW(PM3.0X8.0)	<a href="#">SM3080S</a>	58.) PIN(SPRING)	<a href="#">GM002-M52</a>
25.) ASH PAN(RIGHT)	<a href="#">NWG009-12-02</a>	59.) SCREW(PM3.0X6.0)	<a href="#">SM3060S</a>
26.) M/F/DISK SPRING(B)	<a href="#">NG001-95</a>	60.) PCB(2-PIN)	<a href="#">EBG002-B</a>
27.) M/F/DISK SPRING(A)	<a href="#">NG001-94</a>	CARBON BRUSH	<a href="#">NG001-M77</a>
28.) CROSS HEAD GUIDE(E)(LEFT)	<a href="#">NWG009-T06-07</a>	61.) PICK UP CASE COVER	<a href="#">NG001-142</a>
29.) CROSS HEAD GUIDE(E)(RIGHT)	<a href="#">NWG009-T06-07</a>	62.) INSULATION WASHER	<a href="#">NG001-143</a>
30.) SCREW(PB3.0X12.0)	<a href="#">SD30120S</a>	63.) SPRING(F0.3)	<a href="#">NG001-M84A</a>
31.) SCREW(PM4.0X10)	<a href="#">SM4010</a>	64.) PICK UP CASE	<a href="#">NG001-141</a>
32.) SCREW(PB3.0X8.0)	<a href="#">SD3080S</a>	65.) BRAKE SHOE(2ND&3RD)(R)	<a href="#">NWG001-75</a>
33.) CYLINDER BODY	<a href="#">NWG009-28-01</a>	66.) BRAKE SHOE(2ND&3RD)(L)	<a href="#">NWG001-75</a>
CYLINDER REAR-B	<a href="#">NWG009-19-02</a>	67.) BRAKE SHOE(4TH)(L)	<a href="#">NWG001-77</a>
34.) SCREW		68.) BRAKE SHOE(4TH)(R)	<a href="#">NWG001-77</a>
35.) MAIN FRAME(2ND)	<a href="#">NWG009-T02-01</a>		
36.) M/FRAME CONNECTOR SCREW	<a href="#">NWG009-M050</a>		
37.) PCB(4-PIN)			
38.) SCREW(PM3.0X6.0)	<a href="#">SM3060S</a>		
39.) SWITCH			
40.) DPDT LABEL PLATE	<a href="#">NWG004-B1</a>		
41.) SCREW(PM2.0X4.0)	<a href="#">SM2040S</a>		
42.) SPRING(JOURNAL BEARING)(A)	<a href="#">NWG005-M24</a>		
43.) WHEEL ASSY			
DRIVE WHEEL SHAFT	<a href="#">NWG009-M130</a>		
D/WHEEL INSULATOR	<a href="#">NWG009-X005</a>		
WHELL TIRE(A)	<a href="#">NWG009-M053</a>		
DRIVE WHEEL(1ST&4TH)	<a href="#">NWG009-T07-01</a>		
JOURNAL BEARING(A)	<a href="#">NWG005-03</a>		
44.) WHEEL ASSY			
DRIVE WHEEL SHAFT	<a href="#">NWG009-M130</a>		
D/WHEEL INSULATOR	<a href="#">NWG009-X005</a>		
WHELL TIRE(A)	<a href="#">NWG009-M053</a>		
DRIVE WHEEL(2ND)	<a href="#">NWG009-T07-02</a>		
JOURNAL BEARING(A)	<a href="#">NWG005-03</a>		



# EXPLODED VIEW: 2-8-8-8-2 TRIPLEX SECOND MAIN FRAME ASSY

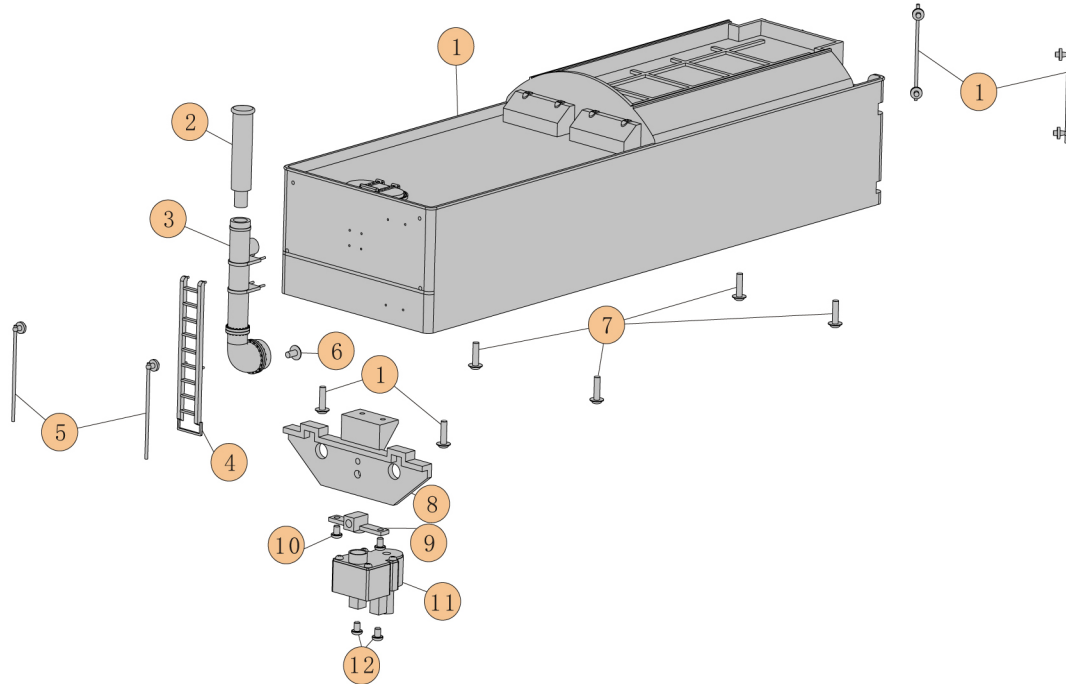


# PARTS LIST: 2-8-8-8-2 TRIPLEX TENDER BODY ASSY



- |                          |                               |
|--------------------------|-------------------------------|
| 1.) TENDER BODY          | <a href="#">NWG009-09-01</a>  |
| 2.) STACK(TOP)           | <a href="#">NWG009-M123</a>   |
| 3.) STACK(MIDDLE)        | <a href="#">NWG009-T05-03</a> |
| STACK(UNDER)             | <a href="#">NWG009-M041</a>   |
| STACK BRACKET            | <a href="#">NWG009-M040</a>   |
| 4.) LADDER(REAR)         | <a href="#">NWG009-20-04</a>  |
| 5.) HANDRAIL(REAR)       | <a href="#">NWG009-M116</a>   |
| HANDRAIL POST(A)(F4.5MM) | <a href="#">NWG004-11</a>     |
| 6.) HANDRAIL(FRONT)      | <a href="#">NWG009-M115</a>   |
| HANDRAIL POST(A)(F4.5MM) | <a href="#">NWG004-11</a>     |
| 7.) SCREW(TA4.0X16.0)    | <a href="#">ST40160S</a>      |
| 8.) PLATE (REAR)         | <a href="#">NWG009-26-03</a>  |
| 9.) STACK SPONGE         | <a href="#">NWG009-X004</a>   |
| 10.) SCREW(PB3.0X8.0)    | <a href="#">SD3080S</a>       |
| 11.) SMOKE               | <a href="#">MD902-T1</a>      |
| 12.) SCREW(PM3.0X8.0)    | <a href="#">SM3080S</a>       |

# EXPLODED VIEW: 2-8-8-8-2 TRIPLEX TENDER BODY ASSY



# PARTS LIST: 2-8-8-8-2 TRIPLEX THIRD MAIN FRAME ASSY



1.) SLAVE BOARD	<a href="#">NWG009-E004</a>	52.) TRUCK WHEEL	<a href="#">NWG009-T04-02</a>
2.) SCREW(PM3.0X6.0)	<a href="#">SM3060S</a>	TRUCK WHEEL TIRE	<a href="#">NWG009-M111</a>
3.) SCREW(PB2.6X5.0)	<a href="#">SD2650S</a>	WHEEL INSULATION	<a href="#">GM002-M57A</a>
4.) SCREW(PB2.6X5.0)	<a href="#">SD2650S</a>	WHEEL SHAFT	<a href="#">GM002-M58</a>
5.) SLAVE BOARD BRACKET	<a href="#">MD102C-M1</a>	53.) SCREW(PM4.0X10)	
6.) RUBBER BAND		54.) SPRING(F5.0X10.0MM)	<a href="#">NWG005-M24</a>
7.) MOTOR (JOHNSON)	<a href="#">NG001-G17</a>	55.) SPRING(F6.0X11.0MM)	<a href="#">NWG009-M139</a>
FLY WHEEL	<a href="#">GM002-M49</a>	56.) WHEEL ASSY	
8.) MOTOR BASE	<a href="#">GM002-T1</a>	DRIVE WHEEL SHAFT	<a href="#">NWG009-M130</a>
9.) SCREW(M3.0XL6.0)	<a href="#">SM3060SW</a>	D/WHEEL INSULATOR	<a href="#">NWG009-X005</a>
10.) SCREW(PM3.0X10.0)	<a href="#">SM3010S</a>	WHELL TIRE(A)	<a href="#">NWG009-M053</a>
11.) SPEAKER CONE	<a href="#">NWG007-H1</a>	DRIVE WHEEL(1ST&4TH)	<a href="#">NWG009-T07-01</a>
12.) SPEAKER(3" 40HM X 3W)		JOURNAL BEARING(A)	<a href="#">NWG005-03</a>
13.) MAIN FRAME(3RD))	<a href="#">NWG009-T03-01</a>	57.) WHEEL ASSY	
14.) M/FRAM CONNECTOR SCREW-A	<a href="#">NWG009-M051</a>	DRIVE WHEEL SHAFT	<a href="#">NWG009-M130</a>
15.) T/PILOT HANDRAIL	<a href="#">NWG009-M117</a>	D/WHEEL INSULATOR	<a href="#">NWG009-X005</a>
POST(C)	<a href="#">NWG004-13</a>	WHELL TIRE(A)	<a href="#">NWG009-M053</a>
16.) T/LIFTING RAIL	<a href="#">NWG009-M118</a>	DRIVE WHEEL(2ND)	<a href="#">NWG009-T07-02</a>
17.) MOTION HANGER(LEFT)	<a href="#">NWG009-18-01</a>	JOURNAL BEARING(A)	<a href="#">NWG005-03</a>
18.) MOTION HANGER(RIGHT)	<a href="#">NWG009-18-02</a>	58.) RUBBER BAND	
19.) SCREW(PM3.0X6.0)	<a href="#">SM3060S</a>	59.) WHEEL ASSY	
20.) T/PILOT(REAR)	<a href="#">NWG009-17-01</a>	DRIVE WHEEL SHAFT(A)	<a href="#">NWG009-M131</a>
T/PILOT-STEP(REAR)(LEFT)	<a href="#">NWG009-17-02</a>	D/WHEEL INSULATOR	<a href="#">NWG009-X005</a>
T/PILOT-STEP(REAR)(RIGHT)	<a href="#">NWG009-17-03</a>	JOURNAL BEARING(B)	<a href="#">NWG005-04</a>
21.) SCREW(PB2.6X8.0)	<a href="#">SD2680WS</a>	HELICAL GEAR	<a href="#">NWG005-M34</a>
22.) G-COUPLER ADAPTER	<a href="#">NWG007-C3</a>	DRIVE WHEEL(3RD)	<a href="#">NWG009-T03-01</a>
23.) SCREW(PM3.0X6.0)	<a href="#">SM3060S</a>	WHELL TIRE(B)	<a href="#">NWG009-M054</a>
24.) SPRING(STS F0.5)	<a href="#">GM201-M4</a>	60.) WHEEL ASSY	
25.) COUPLER		DRIVE WHEEL SHAFT	<a href="#">NWG009-M130</a>
26.) SCREW(E/CRANK)	<a href="#">NWG005-M28</a>	D/WHEEL INSULATOR	<a href="#">NWG009-X005</a>
27.) ROD ASSY(LEFT)	<a href="#">NWG009-E105</a>	WHELL TIRE(A)	<a href="#">NWG009-M053</a>
28.) BUSHING	<a href="#">NWG009-M082</a>	DRIVE WHEEL(1ST&4TH)	<a href="#">NWG009-T07-01</a>
29.) WASHER	<a href="#">NWG009-M083</a>	JOURNAL BEARING(A)	<a href="#">NWG005-03</a>
30.) SIDE ROD (THIRD)(LEFT)	<a href="#">NWG009-M070</a>	61.) SCREW(KM2.0X4.0)	<a href="#">SM2040FS</a>
31.) MAIN ROD(LEFT)	<a href="#">NWG009-M072</a>	62.) PCB	<a href="#">NWG009-PCB03</a>
32.) SIDE ROD(FIRST)(LEFT)	<a href="#">NWG009-M066</a>	63.) MAIN FRAME	<a href="#">NWG009-T04-01</a>
33.) SCREW (SIDE ROD)(A)	<a href="#">NWG009-M33</a>	64.) MAIN FRAM(3ND)(UNDER)(A)	<a href="#">NWG009-T05-02</a>
34.) SCREW (SIDE ROD)(B)	<a href="#">NWG009-M039</a>	65.) GEAR BOX COVER(F)	<a href="#">NWG005-T3</a>
35.) SCREW(PB3.0X8.0)	<a href="#">SD3080S</a>	66.) SCREW(KM3.0X10.0)	<a href="#">SM3010S/F</a>
36.) SPRING	<a href="#">NG001-M61</a>	67.) SCREW(BM5.0X4.0)	<a href="#">SM5040S</a>
37.) WASHER	<a href="#">NWG009-M137</a>	68.) INSULATION(PICK UP) (A)	<a href="#">NWG009-27-03</a>
38.) TRAILING TRUCK(RIGHT)	<a href="#">NWG009-22-02</a>	69.) SPRING(PICK UP)	<a href="#">GM002-M77</a>
39.) TRAILING TRUCK(LEFT)	<a href="#">NWG009-22-01</a>	70.) SHOE(PICK UP)	<a href="#">NWG005-M36</a>
40.) TRUCK BOLSTER	<a href="#">NWG009-23-04</a>	71.) PIN(SPRING)	<a href="#">GM002-M52</a>
41.) SCREW(PB3.0X8.0)	<a href="#">SD3080S</a>	72.) BRAKE SHOE(2ND&3RD)(L)	<a href="#">NWG001-75</a>
42.) WASHER	<a href="#">NG001-M6</a>	73.) BRAKE SHOE(2ND&3RD)(R)	<a href="#">NWG001-75</a>
43.) WASHER	<a href="#">NM002-M4</a>	74.) BRAKE SHOE(4TH)(L)	<a href="#">NWG001-77</a>
44.) SIDE ROD(THIRD)(RIGHT)	<a href="#">NWG009-M071</a>	75.) BRAKE SHOE(4TH)(R)	<a href="#">NWG001-77</a>
45.) SIDE ROD( SECOND RIGHT)	<a href="#">NWG009-M069</a>	76.) SCREW(PM3.0X6.0)	<a href="#">SM3060S</a>
46.) SIDE ROD(FIRST)(RIGHT)	<a href="#">NWG009-M067</a>	77.) PCB(2-PIN)	<a href="#">EBG002-B</a>
47.) ROD ASSY(RIGHT)		CARBON BRUSH	<a href="#">NG001-M77</a>
48.) CROSS HEAD GUIDE(E)(LEFT)	<a href="#">NWG009-T06-07</a>	78.) PICK UP CASE COVER	<a href="#">NG001-142</a>
49.) CROSS HEAD GUIDE(E)(RIGHT)	<a href="#">NWG009-T06-07</a>	79.) INSULATION WASHER	<a href="#">NG001-143</a>
50.) SCREW(PB3.0X12.0)	<a href="#">SD30120S</a>	80.) SPRING(F0.3)	<a href="#">NG001-M84A</a>
51.) CYLINDER BODY	<a href="#">NWG009-28-01</a>	81.) PICK UP CASE	<a href="#">NG001-141</a>
CYLINDER REAR-B	<a href="#">NWG009-19-02</a>		

# EXPLODED VIEW: 2-8-8-8-2 TRIPLEX THIRD MAIN FRAME ASSY

