



HO TRAINS THAT DO MORE

HO BIG BOY

80-3184-1

80-3185-1

80-3186-1

80-3187-1

80-3188-1

PARTS LIST & EXPLODED VIEW

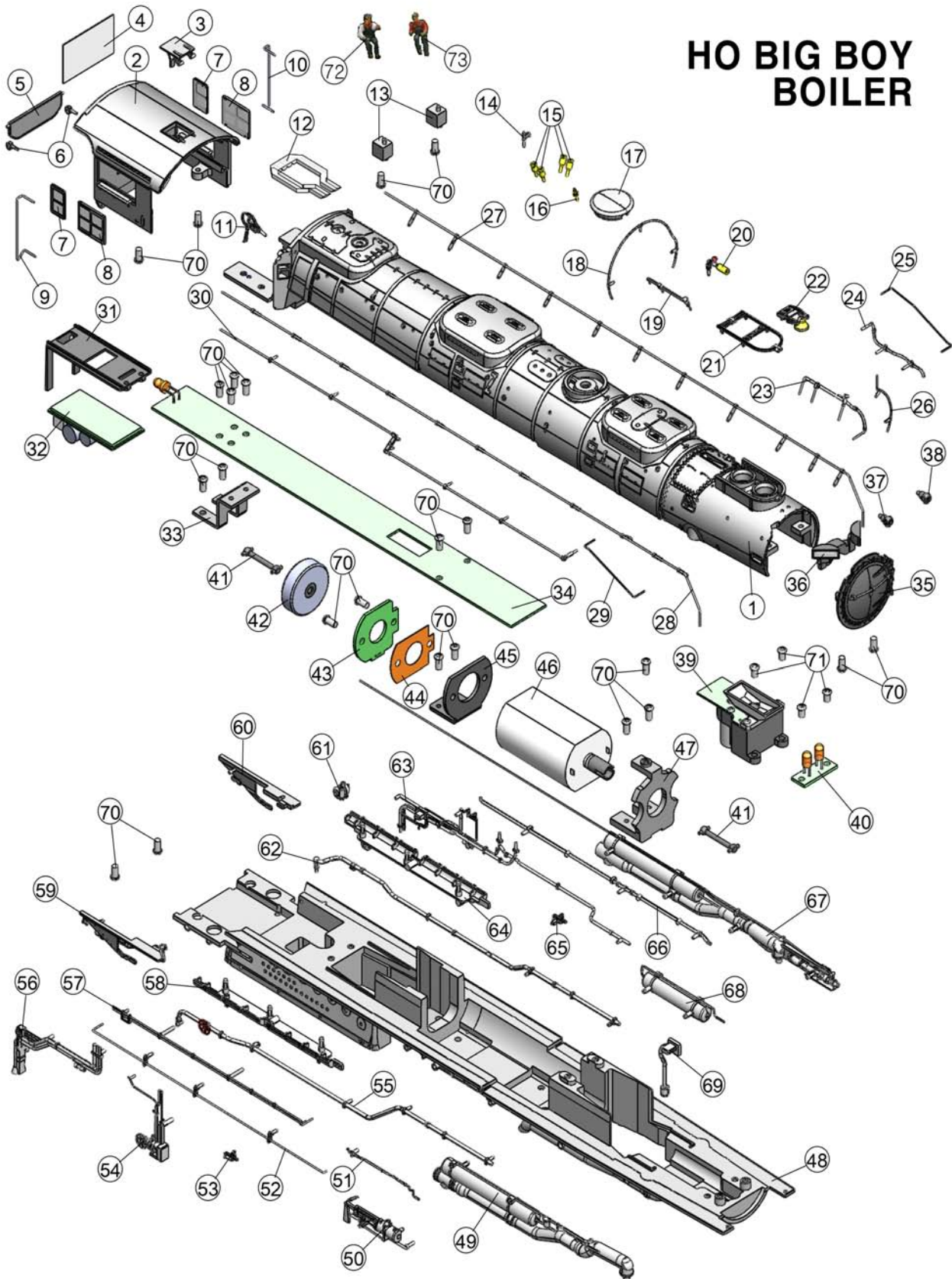
REV. 07.2015

PARTS LIST: BOILER

1.) BOILER	FB-1602103000	57.) COOLING PIPE(A)	FB-161211700
2.) CAB	FB-1602104000	58.) ASH TRAY-R	FB-1612118000
3.) CAB VENTILATOR	FB-1602105000	59.) CAB SUPPORT-A	FB-1612119000
4.) WINDOW REAR	FA-1642009000	60.) CAB SUPPORT -L	FB-1622088000
5.) APRON	FB-1642039000	61.) F/WATER PUMP	FB-1622089000
6.) APRON HINGE	FB-1642040000	62.) F/W/P PIPE	FB-1622090000
7.) WINDOW SIDE(A)	FA-1652015000	63.) VALVE SET(E)	FB-1622091000
8.) WINDOW SIDE(B)	FA-1652016000	64.) ASH TRAY-L	FB-1622092000
9.) HAND RAIL-A	FB-1612105000	65.) BLOWOFF COCK-L	FB-1622093000
10.) HAND RAIL-L	FB-1622082000	66.) VALVE SET(F)	FB-1622094000
11.) CAB THROTTLE	FB-1642041000	67.) STEAM PIPE-L	FB-1622095000
12.) CAB INTERIOR	FB-1642042000	68.) AIR TANK	FB-1622096000
13.) MAN BASE	FB-1642043000	69.) EXHAUST PIPE	FB-1622097000
14.) VALVE	FB-1602106000	70.) SCREW(M2•4.0MM/ROUND HEAD)	IA-0000058
15.) POP VALVE(A)	FB-1602107000	71.) SCREW(M2.0•3.0MM/ROUND HEAD)	IA-0000018
16.) POP VALVE(B)	FB-1602108000		
17.) STEAM DOME COVER	FB-1602109000		
18.) VALVE SET(A)	FB-1602110000		
19.) VALVE SET(B)	FB-1602111000		
20.) WHISTLE	FB-1602112000		
21.) STACK COVER	FB-1602113000		
22.) BELL ASSY	FB-1602114000		
23.) VALVE SET(C)	FB-1622083000		
24.) VALVE SET(D)	FB-1622084000		
25.) PIPE DETAIL-L	FB-1622085000		
26.) EXHAUST PIPE	FB-1622086000		
27.) HAND RAIL-L	FB-1622087000		
28.) HAND RAIL-A	FB-1612106000		
29.) PIPE DETAIL-A	FB-1612107000		
30.) THROTTLE LEVER PIPE	FB-1612108000		
31.) BRACKET, LOCO PCB	IH-1602027000		
32.) PS3 BOILER BOARD	AE-1600001		
33.) BRACKET, LAMP PCB	IH-1602028000		
34.) LAMP PCB	BB-1602017000		
35.) SMOKE BOX	FB-1632053000		
36.) NUMBER BOARD	FB-1632054000		
37.) MARKER LIGHT -R	CC-1612006000		
38.) MARKER LIGHT -L	CC-1622006000		
39.) SMOKE UNIT	AA-		
40.) LIGHT PCB	BB-1602018000		
41.) DRIVE SHAFT	EH-1602007000		
42.) FLY WHEEL	BE-0602002000		
43.) TACH BOARD	AE-0600001		
44.) INSULATOR, BRACKET MOTOR	EB-1602009000		
45.) DRIVE SHAFT	EH-1602008000		
46.) MOTOR	BE-0602001000		
47.) MOTOR MOUNT	BI-1602006000		
48.) BOILER UNDER	FB-1602115000		
49.) STEAM PIPE-R	FB-1612109000		
50.) POWER REVERSE	FB-1612110000		
51.) COOLING PIPE(B)	FB-1612111000		
52.) POWER REVERSE WIRE	FB-1612112000		
53.) BLOWOFF COCK-A	FB-1612113000		
54.) GENERATOR	FB-1612114000		
55.) INJECTOR PIPE(B)	FB-1612115000		
56.) INJECTOR PIPE(A)	FB-1612116000		

EXPLODED VIEW: BOILER

HO BIG BOY BOILER



PARTS LIST: CHASSIS

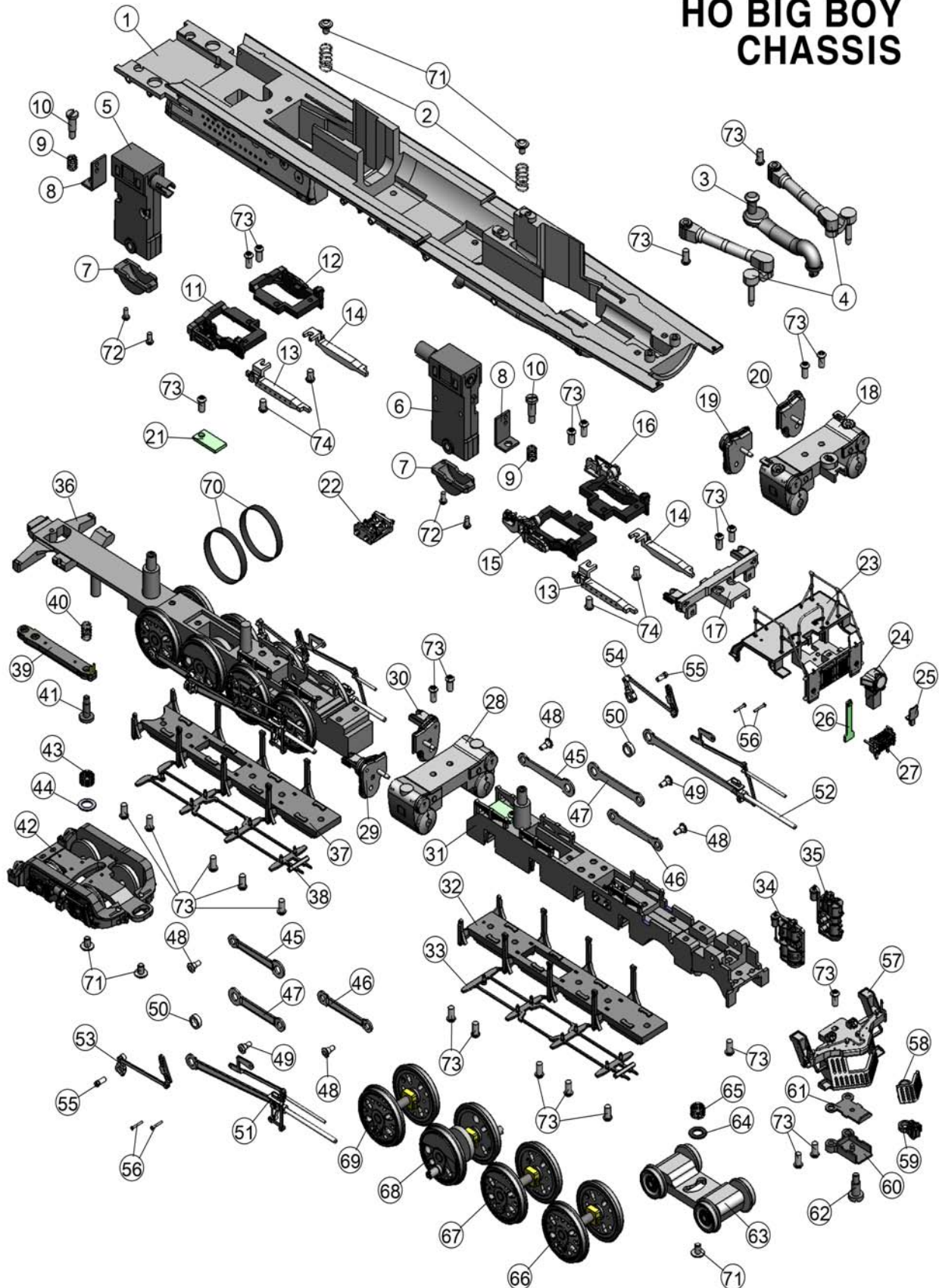


HO TRAINS THAT DO MORE

1.) BOILER UNDER	FB-1602115000	55.) F/S(E/CRANK BUSHING)	EC-1652025000
2.) SPRING(3.9•8.0MM/STS)	IE-1602017000	56.) MOTION HANGER PIN	EA-1652004000
3.) CONTROL BAR	EF-1602016000	57.) PILOT	DG-1632037000
4.) STEAM PIPE	EF-1602017000	58.) COUPLER COVER	DG-1632038000
5.) GEAR BOX ASS'Y (R)	EG-1602014000	59.) DUMMY COUPLER	DD-1632002000
6.) GEAR BOX ASS'Y (F)	EG-1602015000	60.) M/COUPLER BASE(A)	DG-1632039000
7.) G/B COVER (A)	EG-1602016000	61.) M/COUPLER BASE(B)	DG-1632040000
8.) BRACKET, GEAR BOX COVER	IH-1602029000	62.) SCREW	IA-1602013000
9.) SPRING(3.4•1 0.0MM/STS)	IE-1602018000	(M2.0•4.4•3.0MM/STRAIGHT HEAD)	
10.) SCREW	IA-1602011000	63.) LEADING TRUCK ASS'Y	DA-1602012000
(M2.0•9.0•3.0MM/STRAIGHT HEAD)		64.) WASHER(CL>6.0-CT>3. 7H-0.4T)	ID-1602004000
11.) MOTION HANGER(A)-R	EA-1612004000	65.) SPRING(CT>4.6*6.2MM/STS)	IE-1602022000
12.) MOTION HANGER(A)-L	EA-1622004000	66.) 0/WHEEL ASSY(1 ST)	DC-1602021000
13.) GUIDE, CROSS HEAD-R	EF-1612009000	67.) 0/WHEEL ASSY(2ND)	DC-1602022000
14.) GUIDE, CROSS HEAD-L	EF-1622009000	68.) 0/WHEEL ASSY(3RD)	DC-1602023000
15.) MOTION HANGER(B)-R	EA-1612005000	69.) 0/WHEEL ASSY(4TH)	DC-1602024000
16.) MOTION HANGER(B)-L	EA-1622005000	70.) RUBBER TIRE	DE-1602006000
17.) GUIDE, VALVE	EF-1602018000	71.) SCREW(M2.0*3.0MM/WASHER HEAD)	IA-
18.) STEAM CHEST (F)	EF-1602019000	72.) SCREW(M1 .4*3.0MM/ROUND HEAD)	IA-0000120
19.) STEAM CHEST COVER (F)-R	EF-1602020000	73.) SCREW(M2.0*4.0MM/ROUND HEAD)	IA-0000058
20.) STEAM CHEST COVER (F)-L	EF-1602021000	74.) SCREW(M2.0*3.0MM/ROUND HEAD)	IA-0000018
21.) PICK UP PCB	BB-1602013000		
22.) PICKUP ASS'Y	BD-1602006000		
23.) PILOT DECK	DG-1632034000		
24.) HEAD LIGHT	CA-1632006000		
25.) EMBLEM BASE	DG-1632035000		
26.) HEAD LIGHT PCB	BB-1602019000		
27.) HEATER	DG-1632036000		
28.) STEAM CHEST (R)	EF-1602022000		
29.) STEAM CHEST COVER (R)-R	EF-1602023000		
30.) STEAM CHEST COVER (R)-L	EF-1602024000		
31.) MAIN FRAME(F)	DF-1602021000		
32.) MAIN FLOOR(F)	DF-1602022000		
33.) BRAKE SHOE(F)	DF-1602023000		
34.) AIR PUMP-R	DF-1612004000		
35.) AIR PUMP-L	DF-1622004000		
36.) MAIN FRAME(R)	DF-1602024000		
37.) MAIN FLOOR(R)	DF-1602025000		
38.) BRAKE SHOE(R)	DF-1602026000		
39.) DRAW BAR ASSY	BA-1642006000		
40.) SPRING(3.0•5.0MM/STS)	IE-1602013000		
41.) SCREW	IA-1602012000		
(M2.0•5.0•2.3MM/STRAIGHT HEAD)			
42.) TRAILING TRUCK ASS'Y	DA-1602011000		
43.) SPRING(4.6•12.5MM/STS)	IE-1602019000		
44.) WASHER(6.0-CL3. 7H-0.4T)	ID-1602004000		
45.) SIDE ROD(A)(3RD&4TH)	EC-1652019000		
46.) SIDE ROD(B)(1 ST&2ND)	EC-1652020000		
47.) SIDE ROD(C)(2ND&3RD)	EC-1652021000		
48.) SIDE ROD SCREW(A)	IA-1602020000		
49.) SIDE ROD SCREW(B)	IA-1602021000		
50.) MAIN ROD WASHER	EC-1652022000		
51.) MAIN ROD&CROSS HEAD ASS'Y-R	EC-1612028000		
52.) MAIN ROD&CROSS HEAD ASS'Y-L	EC-1622028000		
53.) ECCENTRIC CRANK ASS'Y-R	ED-1612017000		
54.) ECCENTRIC CRANK ASS'Y-L	ED-1622017000		

EXPLODED VIEW: CHASSIS

HO BIG BOY CHASSIS



PARTS LIST: TENDER

1.) BODY TENDER	GA-1602040000
2.) TENDER REAR	GA-1642036000
3.) LEDDER-R	GA-1612001000
4.) LEDDER-L	GA-1622001000
5.) REAR HAND RAIL -R	GA-1612002000
6.) REAR HAND RAIL -L	GA-1622002000
7.) LENS, BACK UP LIGHT(A)	FA-1642004000
8.) WATER HATCH	GA-1602034000
9.) TAIL LIGHT	CC-1642003000
10.) LENS, BACK UP LIGHT(B)	FA-1642005000
11.) HAND RAIL(A)	GA-1602028000
12.) DRAW BAR LOCK	FB-1632002000
13.) STEAM LINE	GA-1622003000
14.) BRAKE AIR LINE	GA-1612003000
15.) FRONT STEP-R	GA-1612004000
16.) FRONT STEP-L	GA-1622004000
17.) FRONT HAND RAIL-R	GA-1612005000
18.) FRONT HAND RAIL -L	GA-1622005000
19.) TAIL LIGHT COVER	GA-1602030000
20.) TAIL LIGHT, LED BOARD	BB-1602014000
21.) SUPPORT, TENDER BOARD	IH-1602017000
22.) CONTROL, BOARD	AD-1602003000
23.) BRACKET.TENDER BOARD	IH-1602018000
24.) PS3 TENDER BOARD	AE-1600002
25.) HARNESS.TENDER	BC-1602010000
26.) 6PIN CONNECTOR	BC-1602011000
27.) BRACKET, 6PIN CONNECTOR	IH-1602019000
28.) BRACKET.SPEAKER	IH-1602020000
29.) SPEAKER,(CT>28.0-BQ-2W)	BF-1602007000
30.) DRAW BAR PIN ASSY	FB-1632001000
31.) FLOOR	GB-1602020000
32.) COUPLER	DD-1640001000
33.) WHEEL BASE	GB-1602016000
34.) PICK UP PLATE	BD-1602018000
35.) TRUCK WHEEL	DC-1602017000
36.) TRUCK SIDE FRAME(A)	DB-1602011000
37.) FRONT TENDER TRUCK	DB-1602012000
38.) SPRING(CT>4.5*8.0MM/STS)	IE-1602012000
39.) WASHER(CL>6.5-CL>4.0H-0.4T)	ID-1602006000
40.) SCREW(M2*4.0MM/ROUND HEAD)	IA-0000058
41.) SCREW(M1 .4*2.0MM/ROUND HEAD)	IA-
42.) SCREW(M2.0*3.0MM/ROUND HEAD)	IA-0000018
43.) SCREW(M1 .4*3.0MM/ROUND HEAD)	IA-0000120
44.) SCREW(M2.0*5.0MM/ROUND HEAD)	IA-0000119
45.) SCREW(M1 .4*4.0MM/ROUND HEAD)	IA-
46.) SCREW(M2*3.0MM/WASHER HEAD)	IA-
47.) SCREW(M2*4.0MM/WASHER HEAD)	IA-0000080

EXPLODED VIEW: TENDER

HO BIG BOY Tender

