

# TINPLATE

# TRADITIONS™

ByMTHElectricTrains

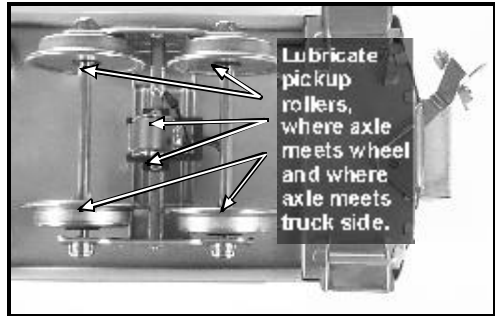
## 418 PASSENGER CAR OPERATING INSTRUCTIONS

Thankyouforpurchasingthe TINPLATE TRADITIONS™ 418Car SetbyMTH ElectricTrains®. These tinplatemodelscombinethedesignsof yesteryearwiththequalityand craftsmanshipoftoday'sMTH products.



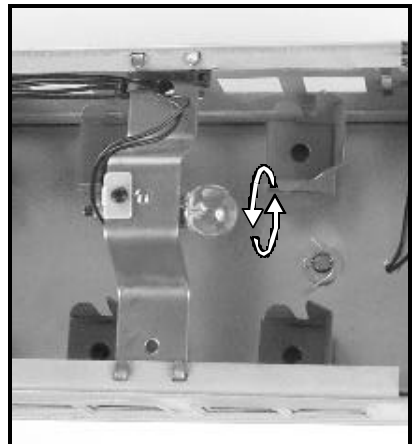
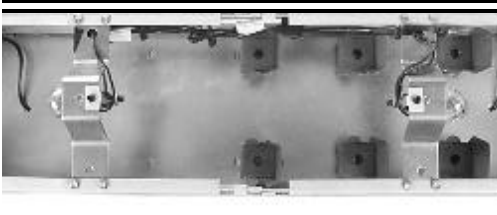
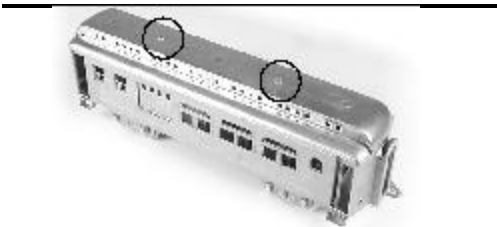
### LUBRICATION

Usealighthouseholdoilforlubrication. Applyoil sparingly, usingatoothpickor small applicator. Addadropofoilto theaxleholesinthe frontandrearof each wheel(see photobelow). Wipe awayexcessoilwithacottonswab.



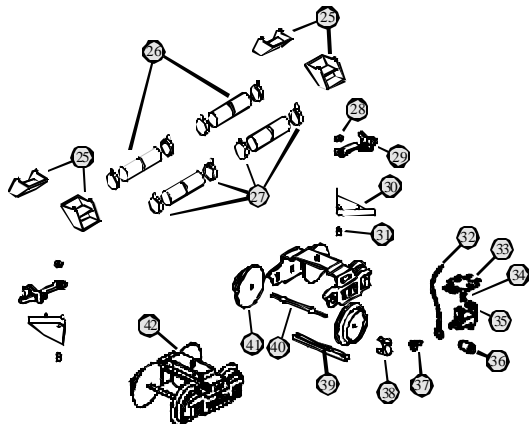
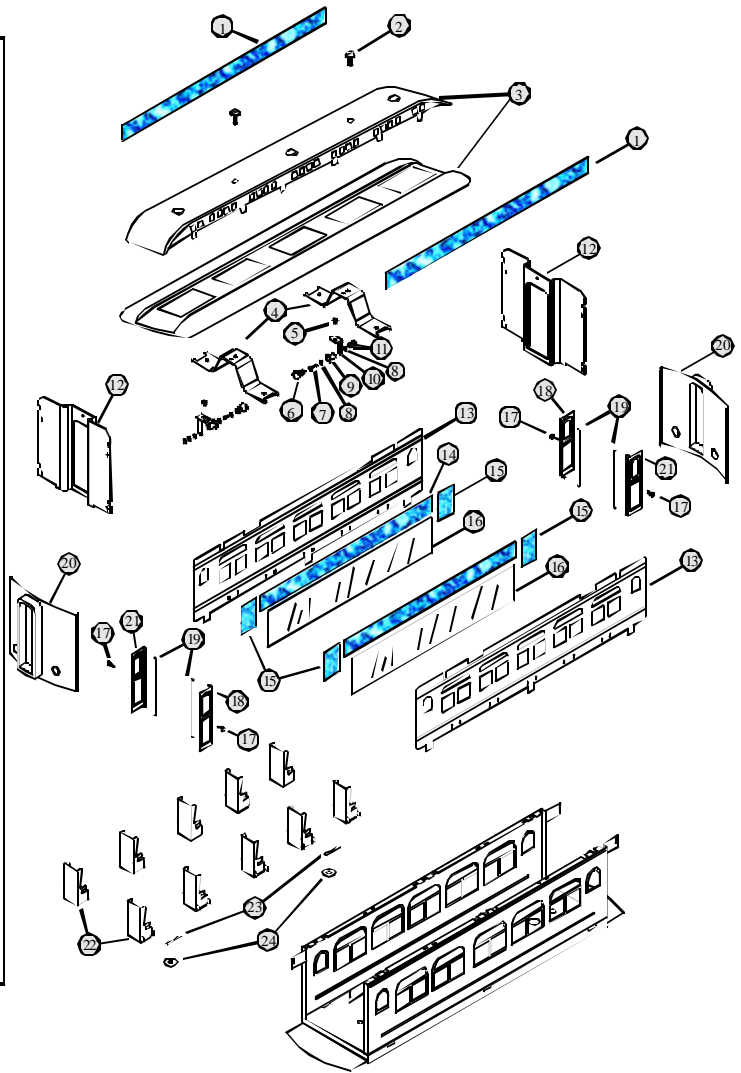
### LIGHT REPLACEMENT

Toreplacelightbulbslocatedattheendsofthecaboose, simplyunscrew thescrews circledbelow, andthenunscrewthelightbulb andreplacewithmatchingbulb.



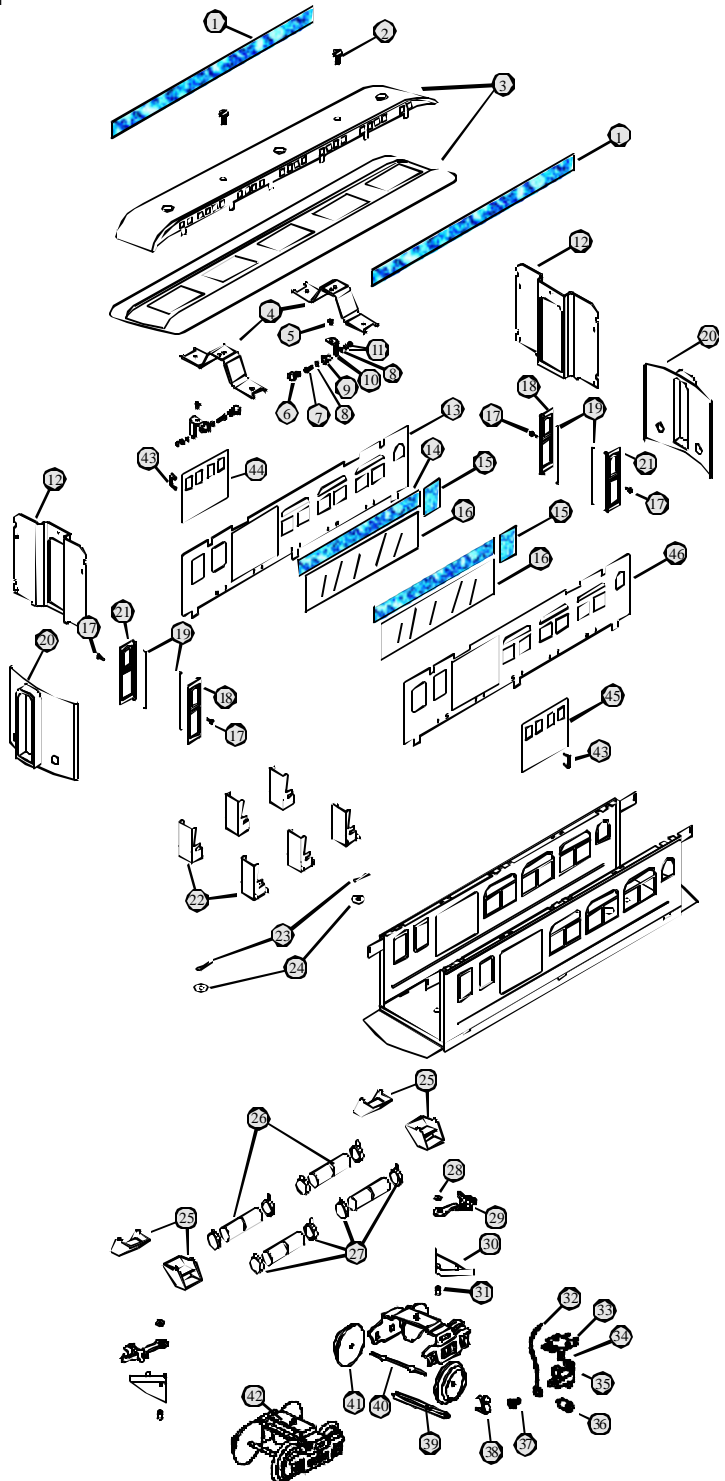
# 428ParlorCar

- 1.) TP-SP00105
- 2.) TP-SP00068
- 3.) TP-SP00106
- 4.) TP-SP00027
- 5.) TP-MS00056
- 6.) TP-MS00016
- 7.) TP-MS00057
- 8.) TP-MS00035
- 9.) TP-MS00044
- 10.) TP-SP00107
- 11.) TP-MS00074
- 12.) TP-SP00111
- 13.) TP-SP00042
- 14.) TP-SP00108
- 15.) TP-SP00109
- 16.) TP-SP00110
- 17.) TP-SP00099BRASS
- 18.) TP-SP00035LEFT
- 19.) TP-SP00112
- 20.) TP-SP00024
- 21.) TP-SP00034RIGHT
- 22.) TP-SP00026
- 23.) TP-ST00013
- 24.) TP-OT00028
- 25.) TP-SP00069BRASS  
TP-SP00070NICKEL
- 26.) TP-SP00010
- 27.) TP-SP00011
- 28.) TP-MS00074
- 29.) TP-MS00020
- 30.) TP-MS00025
- 31.) TP-SP00116
- 32.)
- 33.) TP-MS00036
- 34.) TP-MS00052
- 35.) TP-MS00050
- 36.) TP-MS00051
- 37.) TP-MS00055
- 38.) TP-MS00041BRASS  
TP-MS00042NICKEL  
TP-MS00043COPPER
- 39.) TP-SF00066
- 40.) TP-SF00010
- 41.) TP-SP00085
- 42.) TP-SF00085



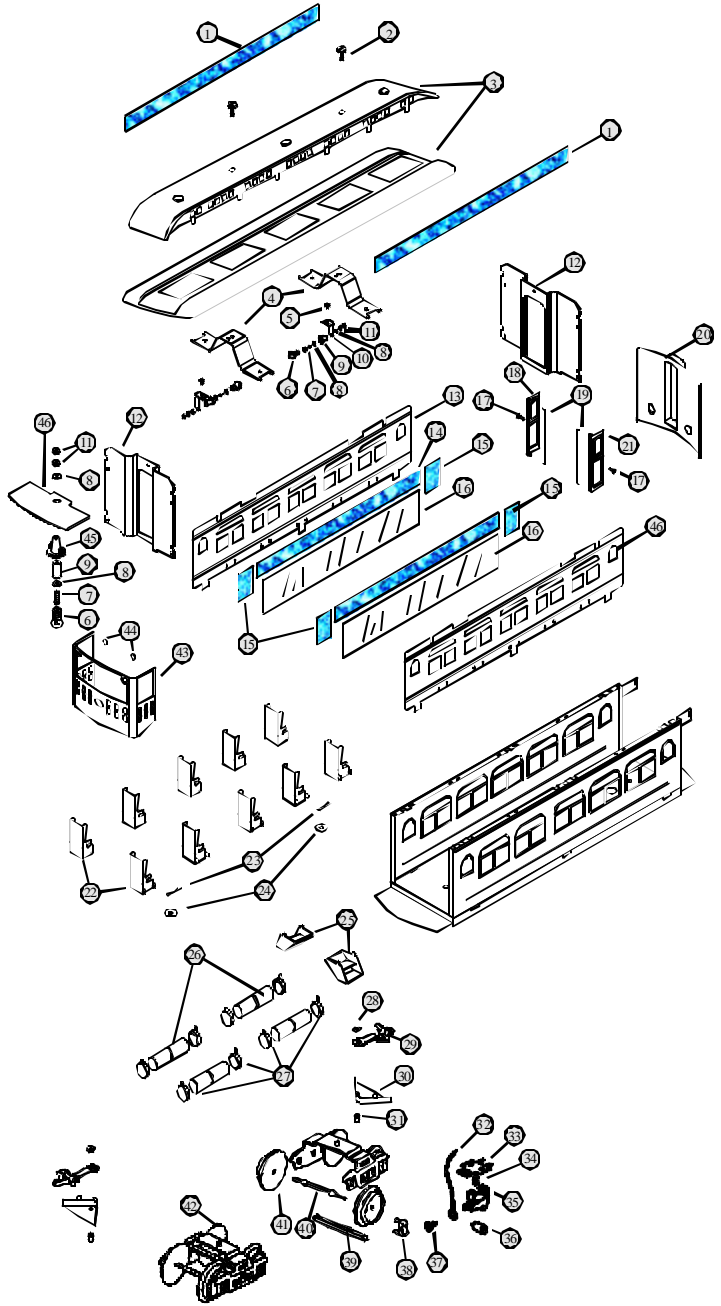
# 429CombineCar

- 1.) TP-SP00105
- 2.) TP-SP00068
- 3.) TP-SP00106
- 4.) TP-SP00027
- 5.) TP-MS00056
- 6.) TP-MS00016
- 7.) TP-MS00057
- 8.) TP-MS00035
- 9.) TP-MS00044
- 10.) TP-SP00107
- 11.) TP-MS00074
- 12.) TP-SP00111
- 13.)
- 14.) TP-SP00108
- 15.) TP-SP00109
- 16.) TP-SP00110
- 17.) TP-SP00099BRASS
- 18.) TP-SP00035LEFT
- 19.) TP-SP00112
- 20.) TP-SP00024
- 21.) TP-SP00034RIGHT
- 22.) TP-SP00026
- 23.) TP-ST00013
- 24.) TP-OT00028
- 25.) TP-SP00069BRASS  
TP-SP00070NICKEL
- 26.) TP-SP00010
- 27.) TP-SP00011
- 28.) TP-MS00074
- 29.) TP-MS00020
- 30.) TP-MS00025
- 31.) TP-SP00116
- 32.)
- 33.) TP-MS00036
- 34.) TP-MS00052
- 35.) TP-MS00050
- 36.) TP-MS00051
- 37.) TP-MS00055
- 38.) TP-MS00041 BRASS  
TP-MS00042NICKEL  
TP-MS00043COPPER
- 39.) TP-SF00066
- 40.) TP-SF00010
- 41.) TP-SP00085
- 42.) TP-SF00085
- 43.) TP-MS00028 BRASS  
TP-MS00029NICKEL
- 44.) TP-SP00016RIGHT
- 45.) TP-SP00017LEFT
- 46.)



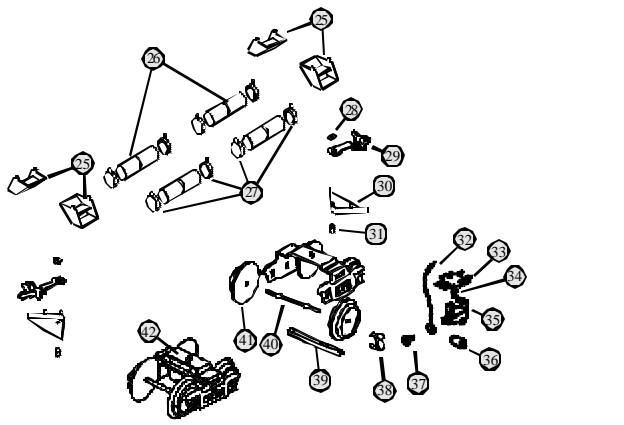
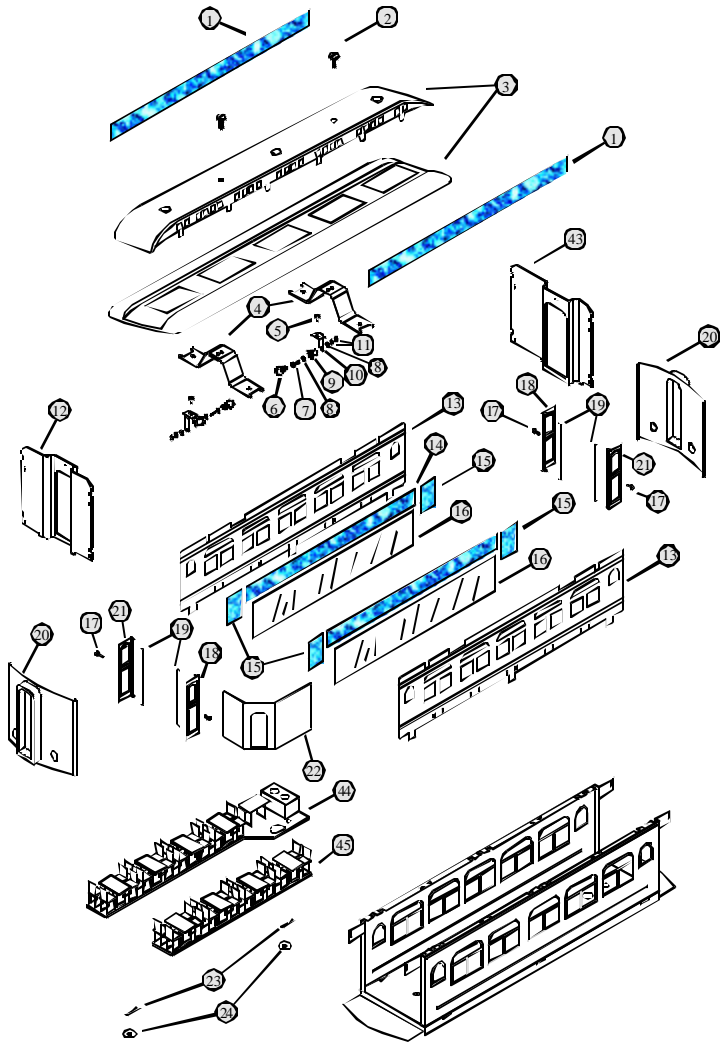
# 430 Observation Car

- 1.) TP-SP00105
- 2.) TP-SP00068
- 3.) TP-SP00106
- 4.) TP-SP00027
- 5.) TP-MS00056
- 6.) TP-MS00016
- 7.) TP-MS00057
- 8.) TP-MS00035
- 9.) TP-MS00044
- 10.) TP-SP00107
- 11.) TP-MS00074
- 12.) TP-SP00111
- 13.) TP-SP00042
- 14.) TP-SP00108
- 15.) TP-SP00109
- 16.) TP-SP00110
- 17.) TP-SP00099BRASS
- 18.) TP-SP00035LEFT
- 19.) TP-SP00112
- 20.) TP-SP00024
- 21.) TP-SP00034RIGHT
- 22.) TP-SP00026
- 23.) TP-ST00013
- 24.) TP-OT00028
- 25.) TP-SP00069BRASS  
TP-SP00070NICKEL
- 26.) TP-SP00010
- 27.) TP-SP00011
- 28.) TP-MS00074
- 29.) TP-MS00020
- 30.) TP-MS00025
- 31.) TP-SP00116
- 32.)
- 33.) TP-MS00036
- 34.) TP-MS00052
- 35.) TP-MS00050
- 36.) TP-MS00051
- 37.) TP-MS00055
- 38.) TP-MS00041BRASS  
TP-MS00042NICKEL  
TP-MS00043COPPER
- 39.) TP-SF00066
- 40.) TP-SF00010
- 41.) TP-SP00085
- 42.) TP-SF00085
- 43.) TP-SP00115BRASS
- 44.) TP-SP00049
- 45.)
- 46.)



# 431 Dining Car

- 1.) TP-SP00105
- 2.) TP-SP00068
- 3.) TP-SP00106
- 4.) TP-SP00027
- 5.) TP-MS00056
- 6.) TP-MS00016
- 7.) TP-MS00057
- 8.) TP-MS00035
- 9.) TP-MS00044
- 10.) TP-SP00107
- 11.) TP-MS00074
- 12.) TP-SP00111
- 13.) TP-SP00042
- 14.) TP-SP00108
- 15.) TP-SP00109
- 16.) TP-SP00110
- 17.) TP-SP00099BRASS
- 18.) TP-SP00035LEFT
- 19.) TP-SP00112
- 20.) TP-SP00024
- 21.) TP-SP00034RIGHT
- 22.) TP-SP00026
- 23.) TP-ST00013
- 24.) TP-OT00028
- 25.) TP-SP00069BRASS  
TP-SP00070NICKEL
- 26.) TP-SP00010
- 27.) TP-SP00011
- 28.) TP-MS00074
- 29.) TP-MS00020
- 30.) TP-MS00025
- 31.) TP-SP00116
- 32.)
- 33.) TP-MS00036
- 34.) TP-MS00052
- 35.) TP-MS00050
- 36.) TP-MS00051
- 37.) TP-MS00055
- 38.) TP-MS00041BRASS  
TP-MS00042NICKEL  
TP-MS00043COPPER
- 39.) TP-SF00066
- 40.) TP-SF00010
- 41.) TP-SP00085
- 42.) TP-SF00085
- 43.)
- 44.) TP-SP00013
- 45.) TP-SP00014



# How to Get Service Under the Terms of the Limited One-Year Warranty

For warranty repair, follow the instructions below to obtain warranty service.

First, e-mail, write, call or fax an Authorized M.T.H. Service Center in your area or M.T.H. Electric Trains to obtain Repair Authorization. You can find the list of Authorized Service Centers on the M.T.H. website, [www.mth-railking.com](http://www.mth-railking.com). Otherwise, contact M.T.H. (e-mail: [service@mth-railking.com](mailto:service@mth-railking.com); 7020 Columbia Gateway Drive, Columbia, MD 21046; tel: 410-381-2580; fax: 410-423-0009), stating when the item was purchased and describing the problem. If you contact M.T.H., you will be given a return authorization number to assure that your merchandise will be properly handled upon its receipt.

**CAUTION:** Make sure the product is packed in its original factory packaging including its foam and plastic wrapping material also to prevent damage to the merchandise. The shipment must be prepaid and we recommend that it be insured. A cover letter including your name, address, daytime phone number, e-mail address (if available), Return Authorization number, a copy of your sales receipt and a full description of the problem must be included to facilitate the repairs. Please include the description regardless of whether you discussed the problem with a service technician when contacting the Service Center or M.T.H. for your Return Authorization.

Please make sure you have followed the instructions carefully before returning any merchandise for service.

## Limited One-Year Warranty

All M.T.H. products purchased from an Authorized M.T.H. Train Merchant are covered by this warranty. See our website at [www.mth-railking.com](http://www.mth-railking.com) or call 1-888-640-3700 to identify an Authorized M.T.H. Train Merchant near you. M.T.H. products are warranted for one year from the date of purchase against defects in material or workmanship, excluding light bulbs, pick-up rollers and traction tires. We will repair or replace (at our option) the defective part without charge for the parts or labor, if the item is returned to an Authorized M.T.H. Service Center or M.T.H. Electric Trains within one year of the original date of purchase. This warranty does not cover damages caused by improper care, handling, or use. Transportation costs incurred by the customer are not covered under this warranty.

Items sent for repair must be accompanied by a return authorization number, a description of the problem, and a copy of the original sales receipt from an Authorized M.T.H. Train Merchant, which gives the date of purchase. If you are sending the item to M.T.H., call 410-381-2580, fax 410-423-0009, or e-mail the Service Department at [service@mth-railking.com](mailto:service@mth-railking.com) to obtain a return authorization number. If you are sending this product to an Authorized Service Center, contact that Center for their return authorization.

This warranty gives you specific legal rights, and you may have other rights that vary from state to state.

Service Department

M.T.H. Electric Trains

7020 Columbia Gateway Drive

Columbia, Maryland 21046-1532



# AUTHORIZED SERVICE CENTER

7020Columbia GatewayDr. - Columbia,MD 21046

Information: 410-381-2580 Fax: 410-381-6122

www.mth-railking.com

## PARTICIPATING RETAILER LIST

### ALABAMA

SOUTHERLAND STATION  
HUNTSVILLE  
256-533-4720  
railway@bellsouth.net

### ARIZONA

ARIZONATRIN DEPOT  
MESA  
480-833-9486  
sales@arizonatraindepot.com  
www.arizonatraindepot.com/

### CALIFORNIA

DOLLHOUSES, TRAINS & MORE  
NOVATO  
415-883-0388  
kbecker@cmc.net

TINPLATEJUNCTION  
OAKLAND  
510-444-4780  
TOYTRAINS@email.msn.com

### COLORADO

MIZELLTRAINSInc  
WESTMINSTER  
303-429-4811  
mizelltrains@cs.com  
www.mizelltrains.com

### CONNECTICUT

SHELTONRAILROADSYSTEMS  
SHELTON  
203-924-8761  
adriani@clearlight.com  
NEWENGLANDHOBBYSUPPLY  
MANCHESTER  
860-646-0610  
bobbell@nehobby.com

### DELAWARE

KRRBMODELTRAINSINC.  
NEWARK  
302-292-2779  
info@krrb.com  
www.krrb.com

### FLORIDA

DEPOTHOBBYSHOP  
LAKE WORTH  
561-585-1982  
jimmy11982@aol.com  
www.depohobbies.com

COLONIALPHOTO&HOBBY  
ORLANDO  
407-841-1485  
trains@colonialphotoandhobby.com

WARRICKCUSTOMHOBBIES  
PLANTATION  
954-370-0708  
info@warrickcustomhobbies.com  
www.warrickcustomhobbies.com

FRANK'S TRAINS & HOBBIES INC.  
OLDSMAR  
813-855-1041  
FTH@allhobbies.com  
www.allhobbies.com

READYTOROLL  
MIAMI  
305-688-8868  
rtrtrains@aol.com  
www.readytorolltrains.com

### ILLINOIS

BIKE & CHOOCHOO CONNECTION  
SCHAUMBURG  
847-882-7728  
trainconnection@aol.com

### INDIANA

Y.O.R.K. TRAINS  
MUNSTER  
219-838-9999  
yorktrains@aol.com

SAMUELSON'S TRAINSHOP  
VALPARAISO  
219-462-2708

### LOUISIANA

AMERICA'S TRAINYARD  
BATONROUGE  
225-926-5592

### MAINE

WHEELS, WINGS & THINGS  
LUDLOW  
207-532-6277  
irc44@javanet.com

### MARYLAND

ENGINEHOUSEHOBBIES  
GAITHERSBURG  
301-590-0816  
luciecerise@aol.com

J & B TRAINS  
HAGERSTOWN  
240-420-4930

HOBBYTOWNUSA  
FREDERICK  
301-694-7395

PURKEY'S TOY TRAINS  
SYKESVILLE  
410-549-6061  
wiley@oldmainline.com

THE TRAIN ROOM  
HAGERSTOWN  
301-745-6681

### MASSACHUSETTS

NORTHEAST TRAINS  
PEABODY  
978-532-1615  
www.netrains.com

### MICHIGAN

BRASSEUR ELECTRIC TRAINS INC.  
SAGINAW  
517-793-4753  
bob@traindoctor.com  
www.traindoctor.com

**MISSOURI**

SWITCHSTAND  
SAINTLOUIS  
314-781-4458  
r41877@earthlink.com

MARKTWAINHOBBYCENTER  
ST. CHARLES  
636-946-2816  
webmaster@hobby1.com  
www.hobby1.com

**NEWHAMPSHIRE**

TREASUREDTOYS  
SALEM  
603-898-7224  
ttoys@treasured-toys.com  
www.treasured-toys.com

RAILROADSPECIALTIES  
HUDSON  
603-882-5566  
crew@electric-trains.com  
www.electric-trains.com

**NEWJERSEY**

TRAINS & THINGS  
TRENTON  
609-883-8790  
trainsanthings@aol.com

GRAND CENTRALSTATION  
KEARNY  
201-955-6200  
228gene@gateway.com

HOBBYMASTERS, INC.  
REDBANK  
732-842-6020  
hobbymasters@hobbymasters.com

HOLLYBEACHTRAINDEPOT  
WILDWOOD  
609-522-2379  
larry@pro-usa.net

COASTTRAINSANDCOLLECTIBLES  
WALL  
732-556-9005  
coasttrain@aol.com  
www.coasttrains.com

J&BTRAINS, INC.  
MAPLESHADE  
856-414-0092  
BASE1130@aol.com

HOBBYSHOP  
MATAWAN  
732-583-0505  
hobbyshopnj.com

ATLANTICRAILS  
HAMMONTON  
609-567-8490  
bobcap@pics.com  
www.atlantictrails.com

COUNTRYANDSTUFF  
ANDOVER  
973-786-7086  
stuff@crystal.palace.net

RIDGEFIELDHOBBY  
RIDGEFIELD  
201-943-2636

COLUMBUSTRAINSTATION  
COLUMBUS  
609-518-1800

**NEWYORK**  
AURORARAILS&HOBBIES  
EASTAURORA  
716-652-5718  
rk82141@aol.com

AMERICANA STORE  
TIVOLI  
845-757-4246  
mthdepot@valstar.net

NASSAUHOBBYCENTER, INC.  
FREEPORT  
516-378-9594  
Charlienassau@aol.com

KROSSHARDWARE  
WESTBABYLON  
631-669-3069  
1989@aol.com

CITY DEPOT, INC.  
NEWHAMPTON  
845-374-3010  
citydepot@frontiernet.net  
www.citydepot.com

**NORTHCAROLINA**  
DRYBRIDGESTATION  
MOUNTAIRY  
336-786-9811  
mikek@drybridgestation.com  
www.drybridgestation.com

THEFREIGHTYARD  
SMITHFIELD  
919-934-6229  
disbissette@aol.com

TRAINSLTD.  
CHARLOTTE  
704-566-9070  
modelrrs@bellsouth.net  
www.trainsltd.com

THEROUNDHOUSE&BACKSHOP  
CARY  
919-465-0810

**OHIO**  
DIXIEUNIONSTATION  
MASON  
513-459-0460  
rockylane@core.net  
www.dixieunionstation.com

RICK'STOYTRAINS  
TOLEDO  
419-478-0171

T&KHOBBYSHOP  
BRIDGEPORT  
740-633-6607  
salea@tkhobbies.com  
www.tkhobbies.com

TRAINS-N-THINGS  
CANTON  
330-499-1666  
trains@sssnet.com

PARMAHOBBY  
CLEVELAND  
216-741-6440  
info@parmahobby.com

GLEN'STRAINSHOP  
AKRON  
330-253-6527

E&STRAINS  
AKRON  
330-745-0785

GRANDPACIFICJUNCTION  
OLMSTEAD FALLS  
440-235-4777  
gpjmrr@juno.com  
HUDSONTOY, TRAIN&HOBBY  
HUDSON  
330-653-2997  
ejpickens@aol.com

DAVISELECTRONICS  
MILFORD  
513-831-6425  
davis trains@fuse.net  
www.davistrains.com

SANDY'SHOBBY'S&COLLECTIBLES  
ELYRIA  
440-365-9999  
sandyshobb@aol.com

ERIERAILWAYDEPOT  
TROY  
937-440-9972  
orvile@gte.net

CLEARVIEWTRAIN&HOBBY  
LORAIN  
440-277-4488  
klogar@erlenet.net  
www.clearviewtrainandhobby.com

**PENNSYLVANIA**  
FAIRCHANCEPHARMACY  
FAIRCHANCE  
724-564-7817  
mthdealer@aol.com  
www.hhs.net/fairchance



THESTATION  
NEWCUMBERLAND  
717-774-7096  
station@paonline.com  
BUSSINGERTRAINS  
AMBLER  
215-628-2366  
choochoos@icdc.com  
www.icdc.com/~btrains

CHARLEROISWEEPERCENTER  
CHARLEROI  
724-483-3397

AMERICANHOBBYCENTER  
ALIQUIPPA  
724-378-3930  
american@icubed.com

CRANBERRYHOBBYDEPOT  
CRANBERRYTWP  
724-776-3640  
JAdams6113@aol.com

ALLENTOWNTOYTRAINSERVICE  
ALLENTOWN  
610-821-0740

ONTHERIGHT TRACK  
ALTOONA  
814-942-4345

JIM'STRAINSHOP  
HOMER CITY  
724-479-2026  
sudsy@stargate.net

YEOLDETRAIN&CHRISTMAS  
SHOPPE  
BOYERTOWN  
610-369-0755  
www.yeoldetrain.com

TOBYTYLER'S HOBBY CENTER  
PITTSBURGH  
412-653-5030  
tobytyler111@cs.com

BUSTLETONTAINSHOP  
PHILADELPHIA  
215-698-7266

CHESTNUTTOYBOX  
PHILADELPHIA  
215-545-0455  
chestnuttoy@earthlink.net

THECABOOSE  
LEHIGHTON  
570-386-5352  
www.thecaboosehobbies.com  
victen@ptd.net

**SOUTH CAROLINA**  
EMERALDTRAIN&HOBBY  
GREENWOOD  
864-223-2247

**TENNESSEE**  
MODELRAILROAD&HOBBYSHOP  
MEMPHIS  
901-384-6500  
mrhs99@earthlink.net  
www.modelrailroadandhobby.com

**TEXAS**  
HOBBYTIME  
AMARILLO  
806.352.9660  
don.l.harris.@hobby-time.com

**VIRGINIA**  
TRAINDEPOT  
MANASSAS  
703-335-2216

NORGESTATION  
WILLIAMSBURG  
757-564-7623  
norgetrains@cs.com

NUTBUSHEXPRESS  
VICTORIA  
804-696-1902  
thenutbushexp@meckcom.net

TOYTRAINCENTER  
RICHMOND  
804-288-4475

TSGHOBBIES  
WARRENTON  
540-347-9212  
tripl@mnsinc.com  
www.mnsinc.com/tripl/tsg.htm

CHESTERFIELDHOBBIES  
MIDLOTHIAN  
804-379-9091  
chsthobb@erols.com  
www.chesterfieldhobbies.com

DAVISHOBBYSUPPLIES  
PORTSMOUTH  
757-397-1983  
ralph@davishobby.com  
www.davishobby.com

LOCUSTGROVETRAINS  
LOCUSTGROVE  
540-854-8955  
lgtrains@aol.com  
www.locustgrovetrains.com

**WEST VIRGINIA**  
PATRICK'S TRAINS  
WHEELING  
304-232-0714  
trains@patstrains.com  
www.patstrains.com

**WISCONSIN**  
SOMMERFELD'S TRAINS  
BUTLER  
262-783-7797  
questions@sommerfelds.com  
www.sommerfelds.com

GB TV & TRAINS  
GREENBAY  
920-496-9697  
rtycoon@netnet.net

GRAMPA'S TRAINSHOP  
RICELAKE  
715-234-2996  
grampastrains@yahoo.com

THETRAINSTORE  
WAUKESHA  
262-650-6675

HOBBYOUTLET  
FOND DULAC  
920-924-3770  
hobby\_outlet@hotmail.com

**CANADA**  
**ONTARIO**

CREDIT VALLEY RAILWAY COMPANY  
STREETSVILLE  
905-826-1306  
CVRCCO@globalserve.net  
www.cvrco.com

TOYTRAINWORKSHOP  
CUMBERLAND  
613-833-3125  
info@toytrainworkshop.com  
www.toytrainworkshop.com

THETRAINROOM  
FERGUS  
519-787-3280