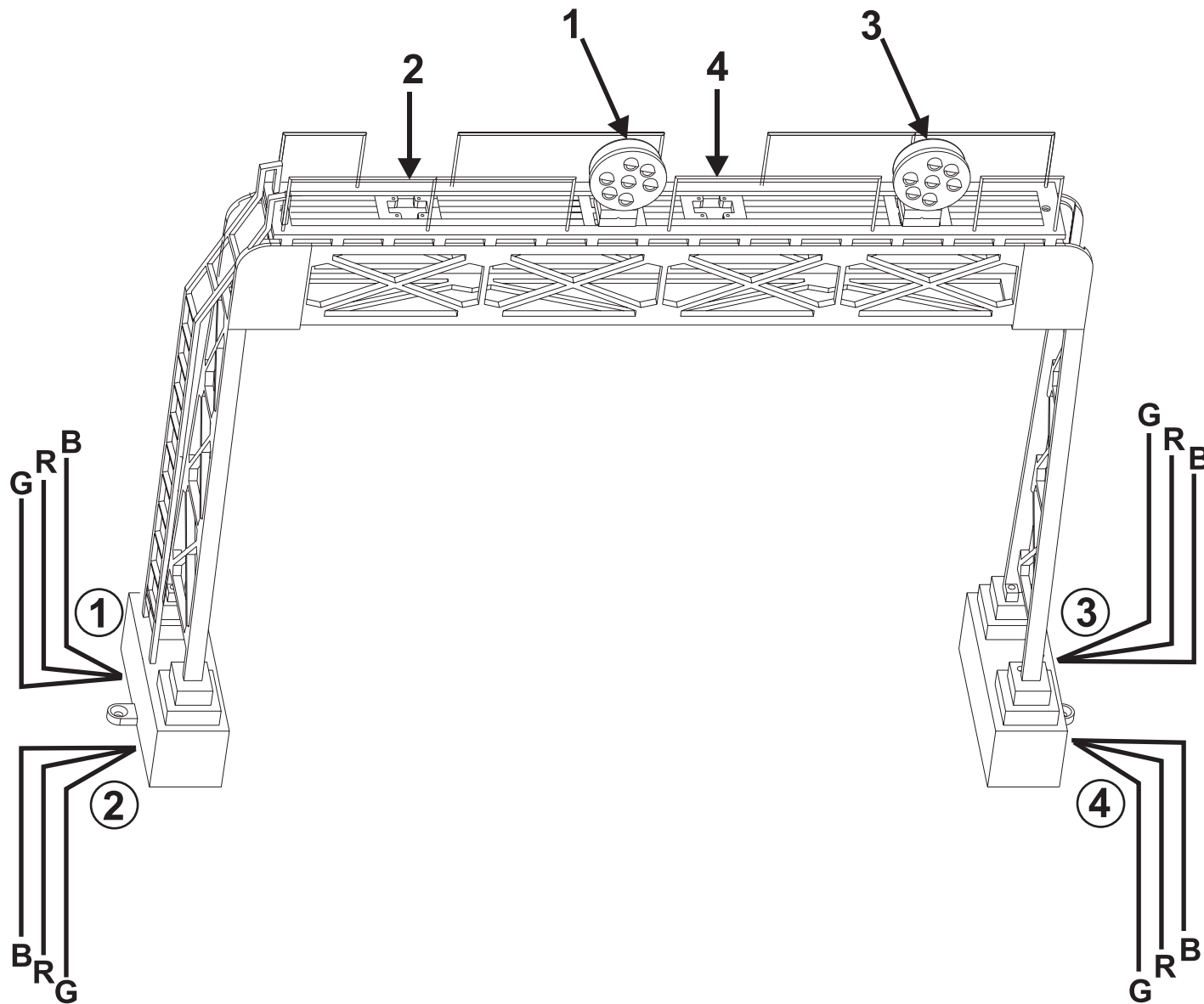


RailKing® O-Scale PRR Signal Bridge Operating Instructions:

The RailKing® O-Scale PRR Signal Bridge has four independent operating circuits. Each circuit controls the operation of a Signal Block Head (note: only 2 Signal Block Heads included). The circuits are hooked up and operate identically.

The orientation of the Signal Block Heads and their corresponding Black (B), Red (R) and Green (G) wires are mirrored so that the numbering convention shown below is accurate regardless of which side of the model faces forward.



Wiring the Signal Block Circuits:

1. Connect a RealTrax® ITAD to your layout in the desired location of activation. If using a mechanical TAD, you will need to supply ground (-) connection to the Black (B) wire separately from track or auxiliary power.
2. Connect the Black (B) wire to the Common (-) terminal of the ITAD.
3. Connect the Red (R) wire to the Normally Open (NO) terminal of the ITAD.
4. Connect the Green (G) wire to the Normally Closed (NC) terminal of the ITAD.

Operation:

When power is first applied to the PRR Signal Bridge Signal Block circuit, the LEDs will illuminate in a diagonal pattern for ~10 seconds. Then, the LEDs will illuminate in a vertical pattern. When the ITAD 'senses' that the track is occupied, the LEDs will illuminate in a horizontal pattern. When the ITAD resets, the LEDs will illuminate in a diagonal pattern for ~10 seconds again.

Positioning the Signal Block Heads:

The PRR Signal Bridge has attachment sites for 4 Signal Block Heads (Note: only 2 Signal Block Heads included. Please contact MTH Service Department to purchase additional Signal Block Heads.) To remove a Signal Block Head, simply grasp it close to the walkway and pull upward. To attach a Signal Block Head, plug it into one of the 4 attachment sites. The plug is keyed so that it will only attach in the proper alignment.

SERVICE & WARRANTY INFORMATION HOW TO GET SERVICE UNDER THE TERMS OF THE LIMITED ONE YEAR WARRANTY

For warranty repair, do not return your product to the place of purchase unless it was purchased from MTH Electric Trains in Columbia, MD. Instead, follow the instructions below to obtain warranty service as our dealer network is not prepared to service the product under the terms of this warranty.

1. First, write, call or FAX MTH Electric Trains, 7020 Columbia Gateway Dr., Columbia, MD 21046, 410-381-2580 (FAX No. 410-423-0009), or visit us on the Internet at www.mth-railking.com stating when it was purchased and what seems to be the problem. You will be given a return authorization number to assure that your merchandise will be properly handled upon its receipt.
2. CAUTION: Make sure the product is packed in its original factory packaging including its foam and plastic wrapping material so as to prevent damage to the merchandise. The shipment must be

prepaid and we recommend that it be insured. A cover letter, including your name, address, daytime phone number, Return Authorization number and a full description of the problem, a copy of your sales receipt, must be included to facilitate the repairs. Please include the description regardless of whether you discussed the problem with one of our service technicians when contacting MTH for your Return Authorization number.

3. Please make sure you have followed the instructions carefully before returning any merchandise for service.

LIMITED ONE YEAR WARRANTY

This item is warranted for one year from the date of purchase against defects in material or workmanship. We will repair or replace (at our option) the defective part without charge for parts or labor, if the item is returned to the address below within one year of the original date of purchase. This warranty does not cover items that have been abused or damaged by careless handling. Transportation costs incurred by the customer are not covered under this warranty.

This warranty gives you specific legal rights and you may have other rights which vary from state to state. ProtoSounds® is a trademark of MTH Electric Trains. DCRU® is a registered copyright of QS Industries, Inc. Lionel® and Railsound® are registered trademarks of Lionel L.L.C.