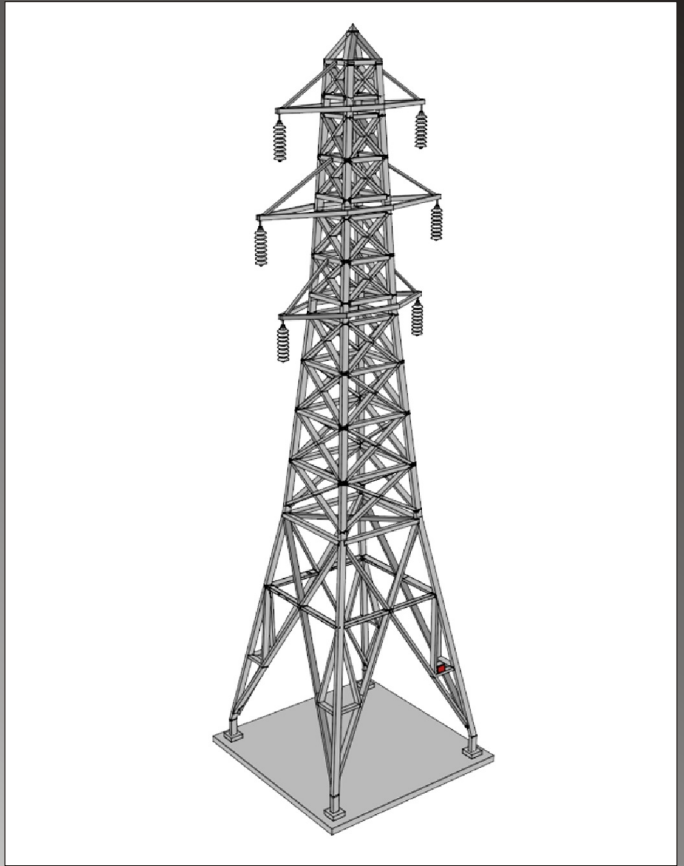




# M.T.H.

ELECTRIC TRAINS, INC.

7020 Columbia Gateway Drive  
Columbia, MD 21046-1532

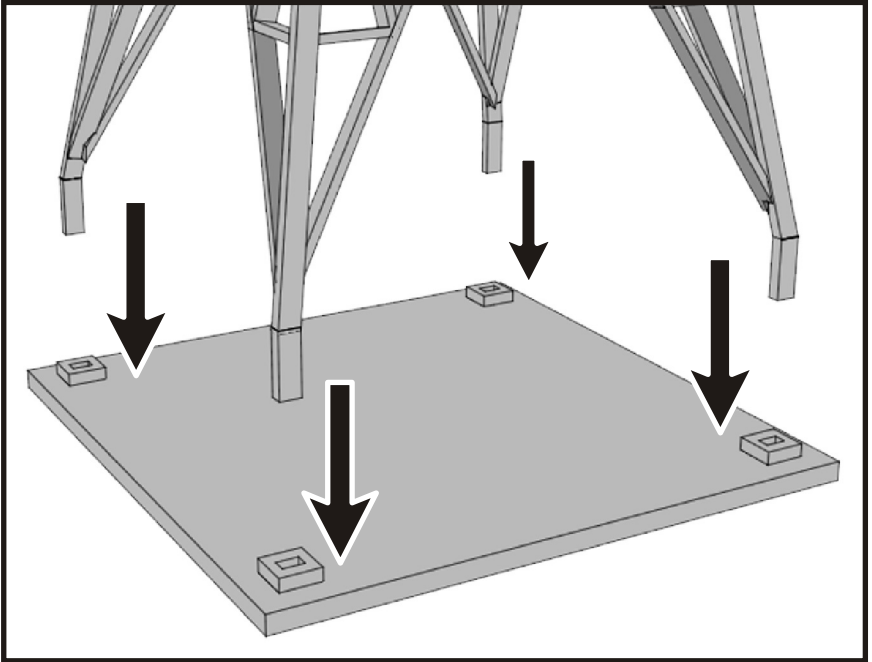


The RailKing® High Tension Tower offers a new level of excitement and realism for your O or O-27 Gauge model railroad. Constructed from sturdy ABS plastic, the High Tension Tower was created from quality components and has been designed for years of use.

# High Tension Tower

## INSTRUCTIONS

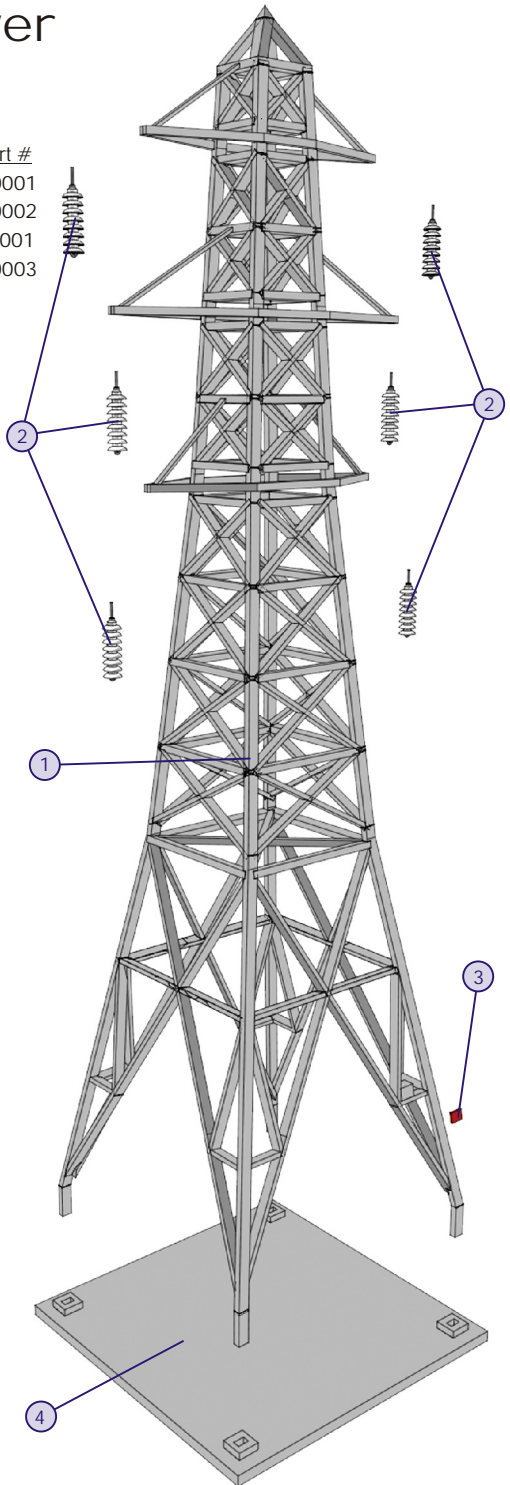
The RailKing® High Tension Tower base was designed so that it can be installed separately. This feature allows you to decide whether for your layout to use the base or not. If you choose to use the base, they are located in the long, white envelope inside the packaging. To connect the tower to the base, gently press each tower to the base. Later, if you choose, you can also pull each tower leg from the base.



# High Tension Tower

## Parts

| Name and Number     | Part #     |
|---------------------|------------|
| 1.) Tower           | HH-5200001 |
| 2.) Insulators      | HH-5200002 |
| 3.) Sign ( Danger ) | FG-5200001 |
| 4.) Base            | HH-5200003 |



## LIMITED ONE YEAR WARRANTY

This item is warranted for one year from the date of purchase against defects in material or workmanship. We will repair or replace (at our option) the defective part without charge for parts or labor, if the item is returned to the address below within one year of the original date of purchase. This warranty does not cover items that have been abused or damaged by careless handling. Transportation costs incurred by the customer are not covered under this warranty.

This warranty gives you specific legal rights and you may have other rights which vary from state to state.

M.T.H. Electric Trains, Inc. • 7020 Columbia Gateway Drive • Columbia, MD 21046-1532

Phone: 410.381.2580 Fax: 410.423.0009

Internet: [www.mthtrains.com](http://www.mthtrains.com) Email: [service@mth-railking.com](mailto:service@mth-railking.com)