

## SERVICE & WARRANTY INFORMATION

### How to Get Service Under the Terms of the Limited One-Year Warranty

For warranty repair, do not return your product to the place of purchase. Instead, follow the instructions below to obtain warranty service as our dealer network is not prepared to service the product under the terms of this warranty.

- First, write, call, e-mail, or FAX M.T.H. Electric Trains®, 7020 Columbia Gateway Drive, Columbia, MD 21046 (Tel.: 410.381.2580; e-mail: [service@mth-railking.com](mailto:service@mth-railking.com); FAX: 410.381.6122), stating when it was purchased and what seems to be the problem. You will be given a return authorization number to assure that your merchandise will be properly handled upon its receipt.
- **CAUTION: Make sure the product in its original factory packaging including its foam and plastic wrapping material so as to prevent damage to the merchandise. The shipment must be prepaid and we recommend that it be insured.** A cover letter including your name, address, daytime telephone number, e-mail address (if available), Return Authorization number, a copy of your sales receipt, and a full description of the problem must be included to facilitate the repairs. Please include the description regardless of whether you discussed the problem with one of our service technicians when contacting M.T.H.® for your ReturnAuthorization Number.
- **Please make sure you have followed the instructions carefully before returning any merchandise for service.**

### Limited One-Year Warranty

All M.T.H.® products purchased from an Authorized M.T.H. Train Merchant are covered by this warranty.

See our web site at [www.mth-railking.com](http://www.mth-railking.com) or call 1.888.640.3700 to identify an Authorized M.T.H. Train Merchant near you.

M.T.H. products are warrantied for one year from the date of purchase against defects in material or workmanship, excluding light bulbs and traction tires. We will repair or replace (at our option) the defective part without charge for the parts or labor, if the item is returned to M.T.H. Electric Trains® within one year of the original date of purchase. This warranty does not cover damages caused by improper care, handling, or use. Transportation costs incurred by the customer are not covered under this warranty.

Items sent for repair must be accompanied by a return authorization number, a description of the problem, and a **copy of the original sales receipt from an Authorized M.T.H. Train Merchant**, which gives the date of purchase. Call 410.381.2580, fax 410.423.0009, or e-mail the Service Department at [service@mth-railking.com](mailto:service@mth-railking.com) to obtain a return authorization number.

This warranty gives you specific legal rights, and you may have other rights that vary from state to state.

Service Department  
M.T.H. Electric Trains®  
7020 Columbia Gateway Drive  
Columbia, MD 21046-1532



[www.mth-railking.com](http://www.mth-railking.com)

© 2001 M.T.H. Electric Trains, 7020 Columbia Gateway Drive, Columbia Maryland 21046-1532

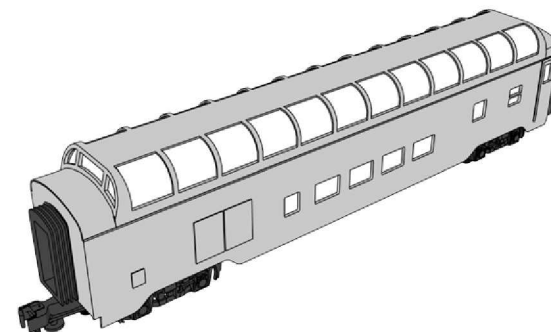


# M.T.H.

ELECTRIC TRAINS

7020 Columbia Gateway Drive  
Columbia, MD 21046-1532

[www.mth-railking.com](http://www.mth-railking.com)



This Full Vista Dome is the perfect way to add style to your RailKing 60' streamlined passenger car set. With its durable ABS construction and die-cast trucks and couplers, this dome car was designed for years of operating enjoyment.

Like M.T.H.'s other streamlined cars, this car comes fully assembled, decorated, and ready to use right out of the box. Simply place it on the track and couple it to a train. It features detailed interiors and an illuminated interior controlled from track power. Follow the instructions in this booklet to change the lights in your 60' full vista dome.

# 60ft Streamlined Full Dome Car

# INSTRUCTIONS

Note that different sized screws are used in this assembly. It is very important that you remember where each screw came from and replace it correctly. To help you with the different size screws, please refer to the screw chart on this page.

Turn the car over, padding it carefully to avoid scratches.

**STEP 1** Remove the small Phillips screw that is holding the ground wire in place from each truck (two screws total). Release one wire from under the screw, and pull the other wire from its connection to the pick-up roller assembly of each truck.

**STEP 2** Remove the four recessed mounting screws located at the corners of the car.

**STEP 3** Turn the trucks so that you can reach the interior-mounting screw located under each truck (two screws total), and remove them.

**STEP 4** Pop the roof off the car by holding each end of the car and twisting them in the opposite direction, then gently remove the roof and interior from the chassis, pulling the loosened wires completely free from the chassis as you lift.

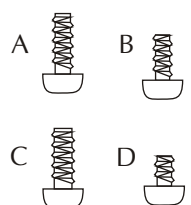
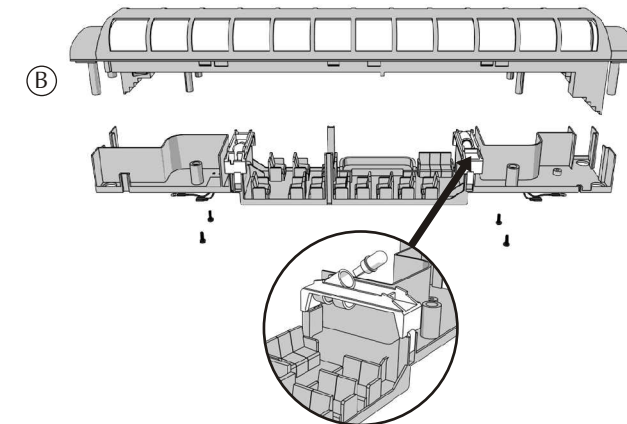
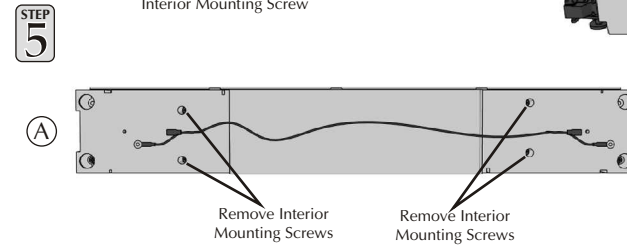
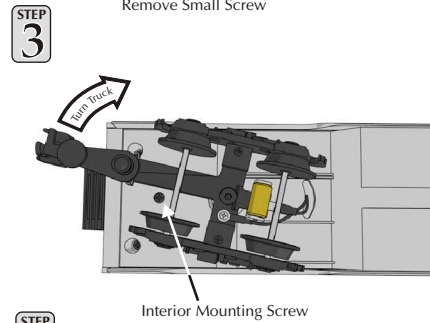
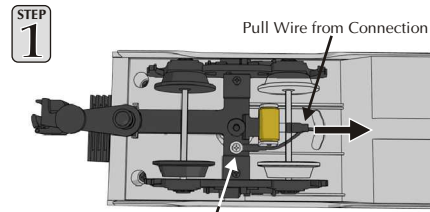
**STEP 5** Turn the interior over and remove the four screws from the bottom to separate the two levels of the interior. Replace the two lower light bulbs by tilting their housing and popping them out like Christmas tree lights.

**STEP 6** Remove the four screws on the bottom of the upper interior to remove the roof. Pull it off and replace the four bulbs by popping them out like Christmas tree lights.

Reassemble the car in the reverse order, making sure that the interior is placed inside the body the right way. If it is backwards, a post will show through a window when looking at the side view. (See figure 7)

Take care that wires are not pinched upon reassembly and that when you reconnect them to the trucks, they do not rub against a wheel, as pinched or rubbed wires can cause shorts.

You can obtain replacement bulbs directly from the M.T.H. Parts Department (phone: 410-381-2580; e-mail: parts@mt-h-railking.com; mail: 7020 Columbia Gateway



Screw Chart			
Connecting Areas	Size	# of Screws	
A Upper and Lower interior	M2.6 x 8.0mm	4	
A Upper interior & Roof	M2.6 x 8.0mm	4	
B Lower interior & Body	M2.6 x 6.0mm	2	
C Body & Roof	M3.0 x 8.0mm	4	
D Ground Wire	M2.6 x 4.0mm	2	

