



Girder Bridge with Operating LED Lights

The Girder Bridge adds more excitement and realism to your layout. Constructed from sturdy ABS plastic, the Girder Bridge is a great addition to any O-27 or O Gauge layout.

The bridge comes semi-assembled with most parts necessary to integrate it with existing layout components. Operation and set up is made easy by following the instructions on the inside.

PLEASE READ BEFORE USE AND SAVE
www.mthtrains.com

Instructions

The Girder Bridge is comprised of 3 major components, the bridge itself, and 2 piers. Also included are 4 pier mounting screws and 2 Lionel® Trestle Piers Adapters. The bridge also features LED lights when connected to a 14-20 volt power supply.

Basic Set Up

Before the bridge can be used, the piers must be attached to the bridge. Using the pier mounting screws provided, mount the 2 piers to the bridge, one on each end. Each pier needs to be placed in the correct location. The Pier with two holes in the top and a light board with 2 connectors should be placed on the end of the bridge with two sets of wires coming off of it (as seen in figures 1a & 1b).

Plug the connector into the control boards as shown in figure 1b. Finish mounting the pier to the bridge as shown in figure 1a. Route the power supply wires from the control board through the wire notch at the base of the pier (see figure 1c) and connect the wires to a 14 to 20 volt power supply.

Using Lionel® Trestle Piers

The Steel Arch Bridge was designed so that Lionel® Trestle Piers could be used in place of the bridge piers provided. The Lionel® Trestle Pier Adapters should be mounted in the same locations, and in the same manner, as the bridge piers would be mounted as shown in figure 2.

Mount the Lionel® Trestle Pier to the adapter the same way that the track adapter mounts to the pier as shown in the instructions with your original trestle set.

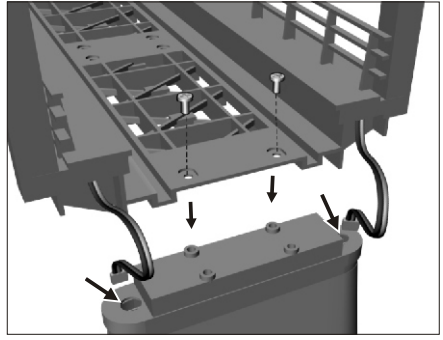


Figure 1a

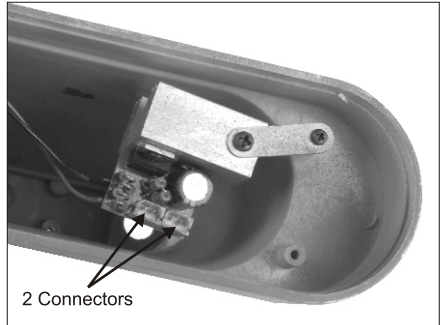


Figure 1b

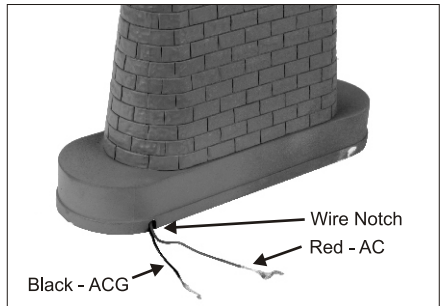


Figure 1c

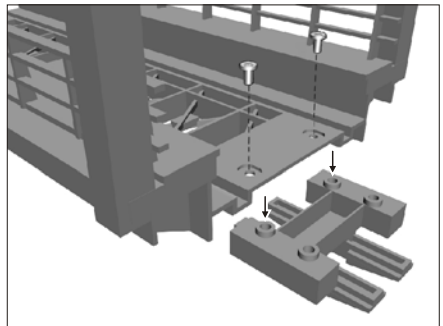


Figure 2

Track Installation

M.T.H. RealTrax®

Slide a RealTrax® 10" straight onto the framing base of the bridge as shown in figure 3a.

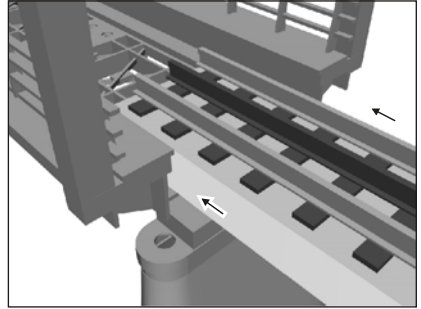


Figure 3a

Other Track Systems

For track systems other than M.T.H. RealTrax®, place the track on top of the bridge framing base and mount the track using the track mounting screw holes provided in the frame as shown in figure 3b. Track mounting screws (Sheet Metal Screws No. 4 x 1/2") are not included.

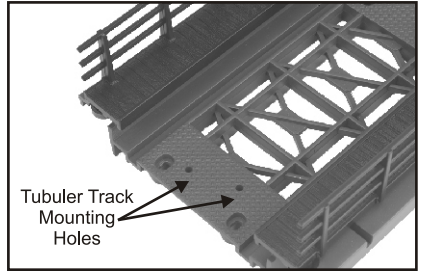


Figure 3b

Lionel® FasTrack™

To use Lionel® FasTrack™ you will need to remove the track guides (figure 4a). To remove the track guides first remove the 4 screws from the bottom of the bridge (figure 4b). Once the guides are removed slide the track into the framing base of the bridge (figure 4c).

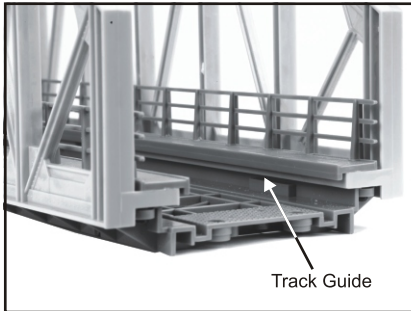


Figure 4a

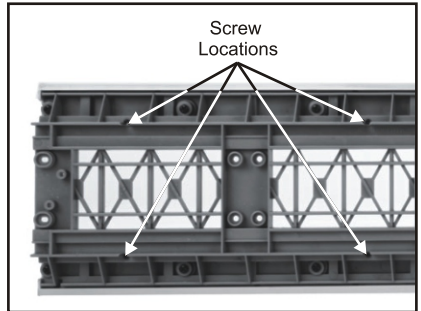


Figure 4b

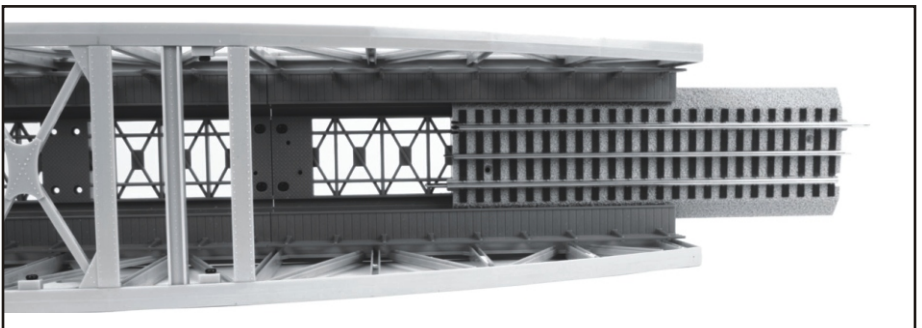


Figure 4c

Service & Warranty Information

How to Get Service Under the Terms of the Limited One-Year Warranty

When you suspect an item is defective, please check the operator's manual for standard operation and troubleshooting techniques that may correct the problem. Additional information may be found on the M.T.H. Website. Should you still require service, follow the instructions below to obtain warranty service. First, e-mail, write, call or fax a M.T.H. Authorized Service Center (ASC) in your area to obtain Repair Authorization. You can find the list of ASCs on the M.T.H. Website, www.mthtrains.com. Authorized Service Centers are required to make warranty repairs on items sold only from that store; all other repairs may-- or may not be done at the store's own discretion. If you did not purchase the item directly from the ASC, you will need to select a National Authorized Service Center (NASC). These centers are compensated by M.T.H. to perform warranty service for any customer whose repair qualifies for warranty service. A list of NASC retailers can be located on the M.T.H. Website or by calling 410-381-2580. Should the warranty no longer apply, you may choose either an ASC or NASC retailer to service your M.T.H. Product. A reasonable service fee will be charged.

CAUTION: Make sure the product is packed in its original factory packaging including its foam and plastic wrapping material to prevent damage to the merchandise. There is no need to return the entire set if only one of the components is in need of repair unless otherwise instructed by the Service Center. The shipment must be prepaid and we recommend that it be insured. A cover letter including your name, address, daytime phone number, e-mail address (if available), Return Authorization number (if required by the service center, a copy of your sales receipt and a full description of the problem must be included to facilitate the repairs. Please include the description regardless of whether you discussed the problem with a service technician when contacting the Service Center for your Return Authorization.

Please make sure you have followed the instructions carefully before returning any merchandise for service. Authorized M.T.H. Service Centers are independently owned and operated and are not agents or representatives of M.T.H. Electric Trains. M.T.H. assumes no responsibility, financial or otherwise, for material left in their possession, or work done, by privately owned M.T.H. Authorized Service Centers.

If you need assistance at any time email MTH Service at service@mth-railking.com, or call 410 381-2580.

Limited One-Year Warranty

All M.T.H. products purchased from an M.T.H. Authorized Retailer are covered by this warranty provided the product was manufactured within five years of the date of purchase. This warranty is for the original purchaser and is non-transferable.

See our website www.mthtrains.com to identify an M.T.H. Authorized Retailer near you.

M.T.H. products may be registered online in advance of warranty work at www.mthtrains.com/warranty. The original sales receipt and the conditions below must be met regardless of whether the product is registered on the M.T.H. website in order to obtain warranty service.

M.T.H. products manufactured within five years from the date of purchase are warranted for one year against defects in material or workmanship, excluding wear items such as light bulbs, pick-up rollers, batteries, smoke unit wicks, and traction tires. We will repair, replace, or credit (at our option) the defective part without charge for the parts or labor if the following conditions are met: (1) the item is returned to an M.T.H. Authorized Service Center* (ASC) or M.T.H. National Authorized Service Center (NASC) or M.T.H. Electric Trains Service Department, (2) was manufactured within the previous five years and (3) was purchased within one year of the original date of purchase from an M.T.H. Authorized Retailer. Products manufactured after the five year cutoff from the date of purchase are not covered under any warranty by M.T.H. Electric Trains. The manufacture date of an item can be verified on the item's detail page "shipping date field" on the M.T.H. website (www.mthtrains.com). This warranty does not cover damages caused by improper care, handling, or use. Transportation costs incurred by the customer are not covered under this warranty.

Items sent for repair must be accompanied by a return authorization number, a description of the problem, and a **copy of the original sales receipt from an M.T.H. Authorized Retailer**, which gives the date of purchase. If you are sending this product to an Authorized Service Center, contact that Center for their return authorization.

This warranty gives you specific legal rights, and you may have other rights that vary from state to state. Specific questions regarding the warranty may be forwarded to M.T.H. Directly.

* Authorized Service Centers (ASC) are only obligated to provide warranty service for any consumer who has purchased the specific M.T.H. item from them that requires service work.

Service Department:
M.T.H. Electric Trains
7020 Columbia Gateway Drive
Columbia MD 21046-1532