



**HO Madison
Passenger Cars**

PLEASE READ BEFORE USE AND SAVE
www.mthhotrains.com

Accessing The Interior

If you wish to remove the body and access the interior to install figurines and/or to paint and decorate, follow the instructions below.

Then slightly pull outward on the body near a truck as you pull up on the truck. After you free one side repeat this step on the other end of the car. Gently lift out the interior from the body



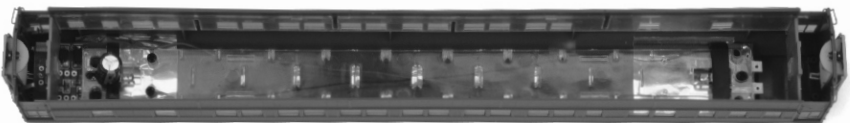
Set Up

Lighting

The lighting system employed in your M.T.H. Passenger Cars is designed to provide flicker free interior illumination by storing track current in a capacitor inside the car. The system requires at least 6 volts of power and needs a couple seconds to charge the capacitor before the lights will illuminate. Also after you turn the power off the lights will not turn off for couple seconds as the power drains back out.

If you need to access the interior for light maintenance please follow the disassembly instructions on the previous page.

To replace the interior lights unscrew the light boards and remove and replace the entire assembly. Replacement light boards can be obtained directly through MTH Electric Trains (Order online: www.mthtrains.com, e-mail: parts@mth-railking.com, Fax: 410-423-0009, Phone: 410-381-2580, Mail: 7020 Columbia Gateway Drive, Columbia MD 21046-1532,).



Set Up Cont.

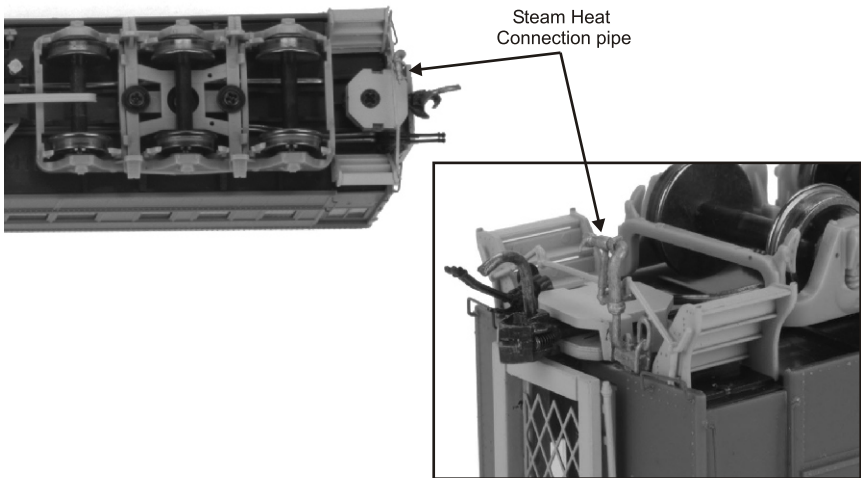
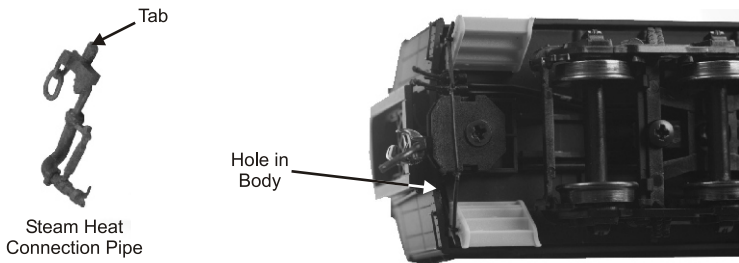
Steam Heat Connection Pipes

For a more realistic appearance we have provided steam heat connection pipes separately. To install them on the cars please follow the instructions below.

Press the tab on top of the steam heat connection pipe into the hole on the body as seen below. You may need to add a drop of glue to hold the pipes in place.

Note 1: Please note that once glued into place it may be more difficult to access the interior. If you are going to add figures or need to access the interior for any other reason you may want to do it before gluing the pipes into place.

Note 2: When assembling, make sure the steam pipe is outside of the coupler release bar

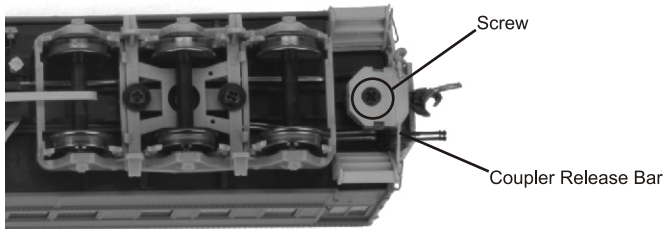


Set Up Cont.

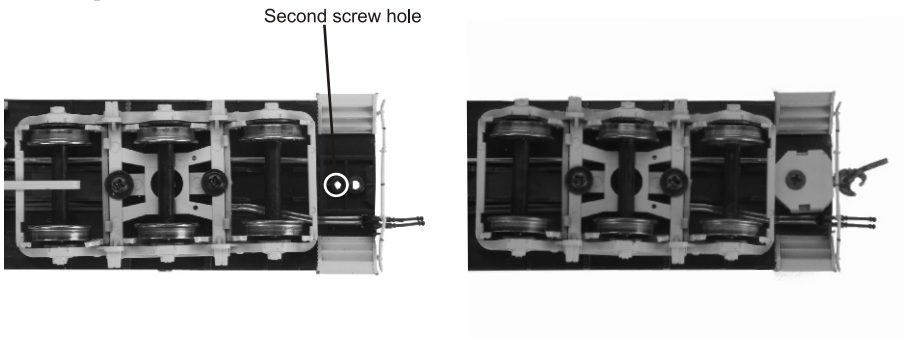
Couplers

These cars come assembled and ready to run on 22" radius curves. The cars can be configured so that they can be close coupled to allow the diaphragms to touch for a more realistic appearance. However the cars will need to run on a 42" and larger radius curves. If you wish to have the cars close coupled please follow the steps below.

1. First remove the screw on the coupler pocket and carefully move the coupler inward (Be careful not to damage the coupler release bar.)



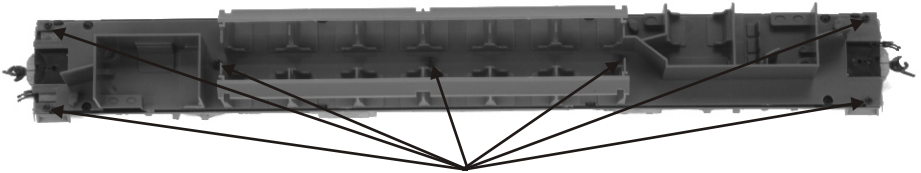
2. There is a second screw hole behind the hole where the coupler was originally attached. Reassemble the coupler in the second screw hole position.



Trouble shooting

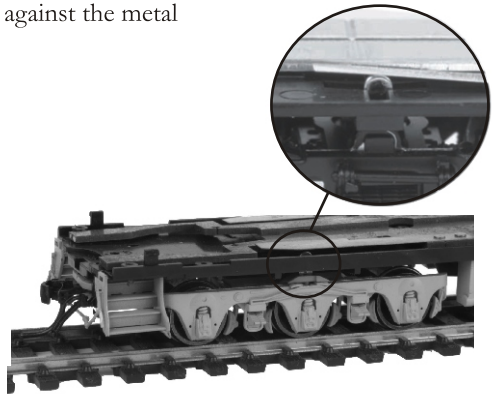
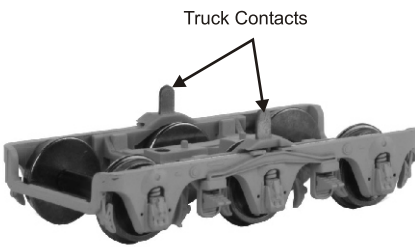
If you apply the track power to the cars and they do not light up follow the steps below to check the connection between the track and the lights.

- 1) Put the car on the track and apply high power (12-18 volts) to the rails. If the lights and circuit are working correctly, the lights should illuminate within a few seconds.
- 2) Next, make sure the undercarriage is snapped down all the way, then place the car back on the track. Gently press down on the ends of the car. If the lights come on while you are pressing down and go out when you let go there may be a problem w/ the connections in the car.
- 3) Remove the undercarriage as per page 2 of the instruction manual.
- 4) Then remove the interior. To remove the interior remove the 7 screws on top of the car. See photos below.



Remove Screws to Access

- 5) Place the undercarriage back on the track and check to see if the contacts from the truck are pressing against the metal contacts on the undercarriages.



If this car is still not lighting up after completing the steps above contact M.T.H. Service Department or an Authorized Service Center. (www.mthtrains.com, e-mail: service@mth-railking.com, Fax: 410-423-0009, Phone: 410-381-2580, Mail: 7020 Columbia Gateway Drive, Columbia MD 21046-1532,).

Service & Warranty Information

How to Get Service Under the Terms of the Limited One-Year Warranty

When you suspect an item is defective, please check the operator's manual for standard operation and troubleshooting techniques that may correct the problem. Additional information may be found on the M.T.H. Website. Should you still require service, follow the instructions below to obtain warranty service. First, e-mail, write, call or fax a M.T.H. Authorized Service Center (ASC) in your area to obtain Repair Authorization. You can find the list of ASCs on the M.T.H. Website, www.mthtrains.com. Authorized Service Centers are required to make warranty repairs on items sold only from that store; all other repairs may-- or may not be done at the store's own discretion. If you did not purchase the item directly from the ASC, you will need to select a National Authorized Service Center (NASC). These centers are compensated by M.T.H. to perform warranty service for any customer whose repair qualifies for warranty service. A list of NASC retailers can be located on the M.T.H. Website or by calling 410-381-2580. Should the warranty no longer apply, you may choose either an ASC or NASC retailer to service your M.T.H. Product. A reasonable service fee will be charged.

CAUTION: Make sure the product is packed in its original factory packaging including its foam and plastic wrapping material to prevent damage to the merchandise. There is no need to return the entire set if only one of the components is in need of repair unless otherwise instructed by the Service Center. The shipment must be prepaid and we recommend that it be insured. A cover letter including your name, address, daytime phone number, e-mail address (if available), Return Authorization number (if required by the service center, a copy of your sales receipt and a full description of the problem must be included to facilitate the repairs. Please include the description regardless of whether you discussed the problem with a service technician when contacting the Service Center for your Return Authorization.

Please make sure you have followed the instructions carefully before returning any merchandise for service. Authorized M.T.H. Service Centers are independently owned and operated and are not agents or representatives of M.T.H. Electric Trains. M.T.H. assumes no responsibility, financial or otherwise, for material left in their possession, or work done, by privately owned M.T.H. Authorized Service Centers.

If you need assistance at any time email MTH Service at service@mth-railking.com, or call 410 381-2580.

Limited One-Year Warranty

All M.T.H. products purchased from an M.T.H. Authorized Retailer are covered by this warranty provided the product was manufactured within five years of the date of purchase. This warranty is for the original purchaser and is non-transferable.

See our website www.mthtrains.com to identify an M.T.H. Authorized Retailer near you.

M.T.H. products may be registered online in advance of warranty work at www.mthtrains.com/warranty. The original sales receipt and the conditions below must be met regardless of whether the product is registered on the M.T.H. website in order to obtain warranty service.

M.T.H. products manufactured within five years from the date of purchase are warranted for one year against defects in material or workmanship, excluding wear items such as light bulbs, pick-up rollers, batteries, smoke unit wicks, and traction tires. We will repair, replace, or credit (at our option) the defective part without charge for the parts or labor if the following conditions are met: (1) the item is returned to an M.T.H. Authorized Service Center* (ASC) or M.T.H. National Authorized Service Center (NASC) or M.T.H. Electric Trains Service Department, (2) was manufactured within the previous five years and (3) was purchased within one year of the original date of purchase from an M.T.H. Authorized Retailer. Products manufactured after the five year cutoff from the date of purchase are not covered under any warranty by M.T.H. Electric Trains. The manufacture date of an item can be verified on the item's detail page "shipping date field" on the M.T.H. website (www.mthtrains.com). This warranty does not cover damages caused by improper care, handling, or use. Transportation costs incurred by the customer are not covered under this warranty.

Items sent for repair must be accompanied by a return authorization number, a description of the problem, and a **copy of the original sales receipt from an M.T.H. Authorized Retailer**, which gives the date of purchase. If you are sending this product to an Authorized Service Center, contact that Center for their return authorization.

This warranty gives you specific legal rights, and you may have other rights that vary from state to state. Specific questions regarding the warranty may be forwarded to M.T.H. Directly.

* Authorized Service Centers (ASC) are only obligated to provide warranty service for any consumer who has purchased the specific M.T.H. item from them that requires service work.

Service Department:
M.T.H. Electric Trains
7020 Columbia Gateway Drive
Columbia MD 21046-1532

A Warranty Card is Not Provided for the separate sale coach. For this car's Warranty you must register online.